

Parts Catalog

Armadillo 10X Diesel



PREFACE

Thank you for your purchase of the industry standard for industrial equipment. PowerBoss takes great pride in offering the most dependable, reliable and best value in industrial equipment; we set the standard.

Our publishing department would like to hear from you. If you see any errors, omissions or something that needs clarification in this spare parts catalog please let us know. We are working hard toward perfection in our corner of the process to bring you the best you can buy. Please copy the form below, fill out and comment on how you found our catalog.

Thank you.

Name _____

Title: _____

Company Name: _____

Address: _____

Country: _____

Type of equipment or model number: _____

Comments:

Please return to:

Customer Service Manager
PowerBoss, Inc.
14N845 U.S. Route 20
Pingree Grobve, Illinois 60140 28315 USA

Phone (800) 323-9420
E-mail techsupport@powerboss.com
Website www.powerboss.com

This is the spare parts catalog for the PowerBoss Armadillo 10X Sweeper. This catalog covers all standard Armadillo 10X machine variations.

We believe this machine will provide excellent service for many years, however, the best results will be obtained if:

- The machine is operated with reasonable care.
- The machine is maintained regularly per the maintenance schedule provided in the user manual.
- The machine is maintained with PowerBoss Inc. supplied or equivalent parts.

All right side and left side references to the machine (except for engine) are determined by facing the direction of forward travel. The front of the engine or engine fan faces the rear of the machine. Some hardware considered to be common or locally available has been omitted from the parts section to make this manual clear. Be sure to use equivalent hardware when replacement becomes necessary.

The model number of your machine is shown on the I.D. name plate. The serial number is shown on the plate just below the I.D. name plate. This information is needed when contacting technical support or when ordering parts. The plates are mounted on the console of the machine to the left of the operator, adjacent to the main broom adjustment access door.

Example I.D. Plate:

PowerBoss www.PowerBoss.com 800-323-9420	14N845 US RT 20 PINGREE GROVE, IL 60140 Made in USA
Model No.:	<input type="text"/>
	DRY GVW
Machine Weight (kg):	<input type="text"/> <input type="text"/> IP <input type="checkbox"/>
Front Wheel Weight (kg):	<input type="text"/> <input type="text"/> LW: <input type="checkbox"/>
Rear Wheel Weight (kg):	<input type="text"/> <input type="text"/>
	715732

Parts may be ordered by phone, fax or e-mail from any PowerBoss parts and service center. Before ordering parts or supplies, be sure to have your machine model number and serial number handy. For your convenience fill out the data block below for future reference.

MACHINE DATA
Fill Out at Installation

Serial Number: _____

Engine Serial Number: _____

Sales Rep.: _____

Date of Install: _____

All information contained in this catalog is current at the time of printing, however, PowerBoss reserves the right to make changes at any time without notice.

TECHNICAL SPECIFICATIONS

Model Armadillo 10X Diesel
Model No. 10XT3DSL

DIMENSIONS & WEIGHT

Length105 inch (266.7 cm)
Width68 inch (172.7 cm)
Height.....55.38 inch (140.7 cm)
W/ overhead guard81 inch (205.7 cm)
W/ cab81 inch (205.7 cm)
Weight4,575 lbs. (2,075 kg)
Minimum U-turn115 inch (292 cm)

SWEEPING SYSTEM

Productivity217,800 ft²/hr (20,234 m²/hr)
Sweep path.....74 inch (187.9 cm)
Main broom.....56 inch (142 cm)
Side broom.....26 inch (66 cm)
Left side broom (optional) 86 inch (218.4 cm)
Hopper typeRTR high dump
Hopper volume.....30 cu. ft.
Hopper load capacity2,000 lbs (907 kg)
Dust control180 ft² (16.7 m²)
High dump64 inch (162.6 cm)
RTR (rotary trash relocation) yes

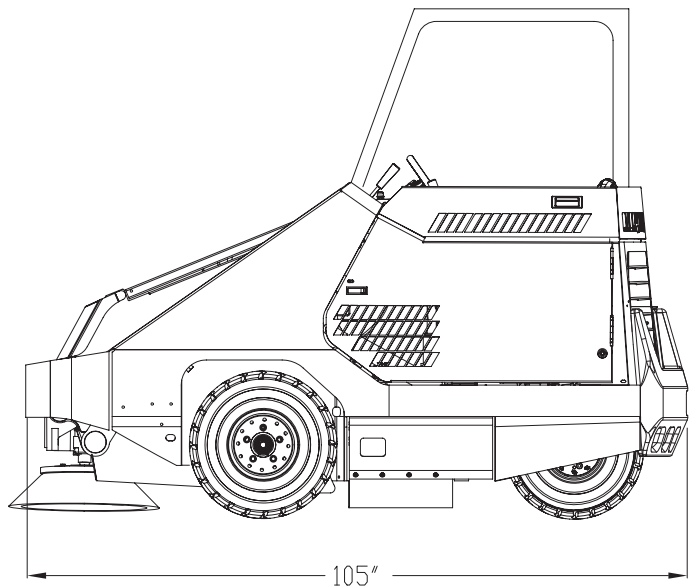
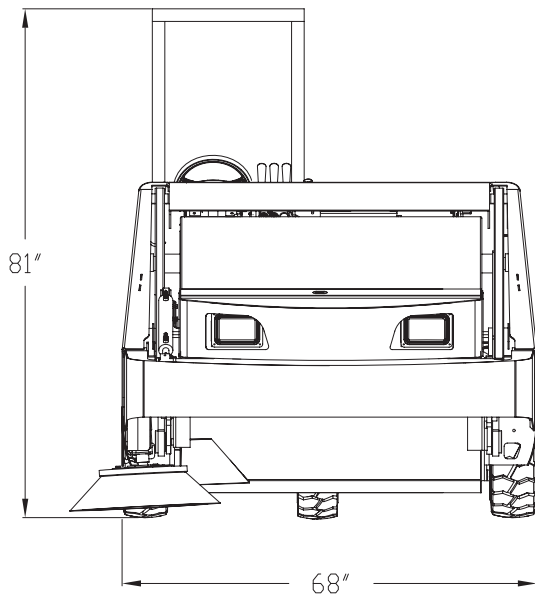


TABLE OF CONTENTS

PREFACE.....2

TECHNICAL SPECIFICATIONS4

DIMENSIONS & WEIGHT4

SWEEPING SYSTEM4

NOTES5

STANDARD ABBREVIATIONS9

FRAME ASSEMBLY10

BROOM DOOR ASSEMBLY12

AXLE, BRAKE AND WHEEL ASSEMBLIES14

7” MECHANICAL BRAKE ASSEMBLY16

STEERING WHEEL, GAUGES & FUSES18

SIDE BROOM ASSEMBLY - DRIVE MOTOR, ARM AND MOUNTING20

SIDE BROOM ASSEMBLY - ADJUSTMENT COMPONENTS22

ENGINE COVER, SIDE DOOR, LATCH & REAR GRILL24

HYDRAULIC HOSES, STEERING UNIT & COLUMN26

STEERING CYLINDER.....28

REAR DRIVE ASSEMBLY30

DIRECTIONAL CONTROL LINKAGE ASSEMBLY32

CONSOLE ASSEMBLY34

SEAT, FLOOR PAN & TAIL LIGHT36

LIFT & ROTATION CYLINDERS, HYDRAULIC HOSES.....38

LIFT & ROTATION CYLINDERS, HYDRAULIC HOSES (CONTINUED).....40

RTR SWITCH DETAIL - LIFT ARM42

RTR SWITCH DETAIL - HOPPER43

HOPPER LATCH SYSTEM44

HOPPER FILTERS46

HOPPER COVERS AND FLAP COMPONENTS48

HOPPER DUMP DOOR AND FILTER SHAKER COMPONENTS50

FRONT BUMPER ASSEMBLY.....52

BATTERY COMPONENTS.....53

ENGINE PIVOT ASSY54

ENGINE PAN, HYDRAULIC HOSE RETAINER & LATCH56

FUEL TANK GASOLINE AND DIESEL.....58

HYDRAULIC RESERVOIR ASSEMBLY 60

HYDRAULIC CONTROL VALVE ASSEMBLY (PAGE 1 OF 3) 62

HYDRAULIC CONTROL VALVE ASSEMBLY (PAGE 2 OF 3) 63

HYDRAULIC CONTROL VALVE ASSEMBLY (PAGE 3 OF 3) 64

IMPELLER ASSEMBLY 66

MAIN BROOM ASSEMBLY 68

SIDE BROOM & MAIN BROOM 70

VACUUM SWITCH 72

TIMER-FILTER SHAKER SEALED 73

GASKET MOUNT ASSEMBLY 74

2203 KUBOTA ENGINE BLOCK ASSY..... 76

2203 KUBOTA ENGINE OIL PAN 78

2203 KUBOTA ENGINE CYLINDER HEAD 80

2203 KUBOTA ENGINE GEAR CASE..... 82

2203 KUBOTA ENGINE HEAD COVER 84

2203 KUBOTA ENGINE OIL FILTER..... 86

2203 KUBOTA ENGINE DIPSTICK AND GUIDE 88

2203 KUBOTA ENGINE OIL PUMP..... 90

2203 KUBOTA ENGINE OIL FILLER FLANGE 92

2203 KUBOTA ENGINE MAIN BEARING CASE 94

2203 KUBOTA ENGINE CAMSHAFT AND IDLE GEAR SHAFT 96

2203 KUBOTA ENGINE PISTON AND CRANKSHAFT..... 98

2203 KUBOTA ENGINE FLYWHEEL..... 100

2203 KUBOTA ENGINE FUEL CAMSHAFT AND GOVERNOR SHAFT 102

2203 KUBOTA ENGINE IDLE APPARATUS..... 104

2203 KUBOTA ENGINE STOP LEVER 106

2203 KUBOTA ENGINE STOP SOLENOID 108

2203 KUBOTA ENGINE INJECTION PUMP..... 110

2203 KUBOTA ENGINE GOVERNOR..... 112

2203 KUBOTA ENGINE SPEED CONTROL PLATE 114

2203 KUBOTA ENGINE NOZZLE HOLDER AND GLOW PLUG 116

2203 KUBOTA ENGINE FUEL FILTER..... 118

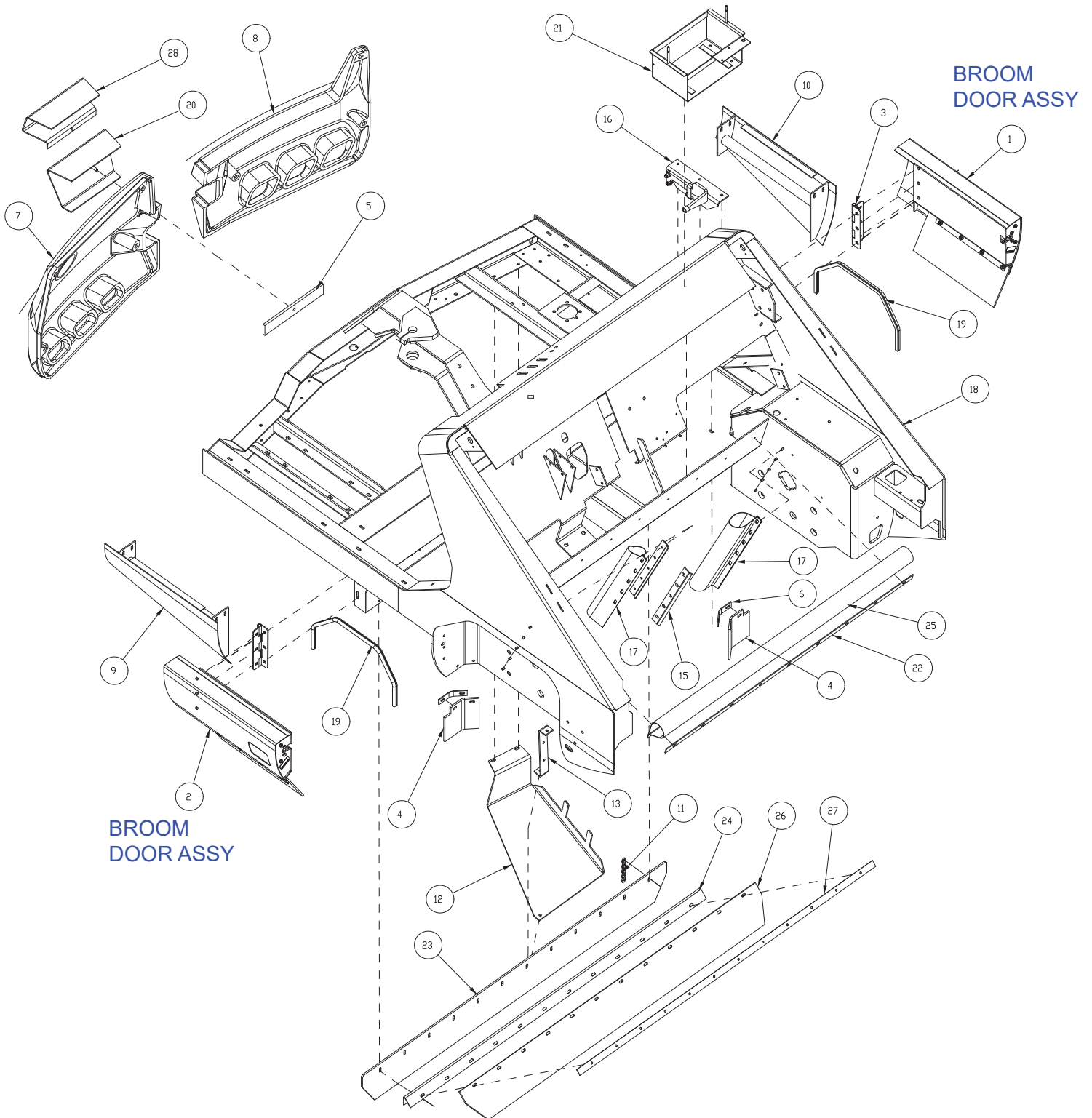
2203 KUBOTA ENGINE FUEL PUMP (MECHANICAL)..... 120

2203 KUBOTA ENGINE ALTERNATOR AND PULLEY.....	122
2203 KUBOTA ENGINE ALTERNATOR (COMPONENT PARTS)	124
2203 KUBOTA ENGINE STARTER	126
2203 KUBOTA ENGINE STARTER (COMPONENT PARTS)	128
2203 KUBOTA ENGINE OIL SWITCH AND PLUG	130
2203 KUBOTA ENGINE WATER FLANGE AND THERMOSTAT	132
2203 KUBOTA ENGINE WATER PUMP	134
2203 KUBOTA ENGINE FAN	136
2203 KUBOTA ENGINE VALVE AND ROCKER ARM	138
2203 KUBOTA ENGINE INLET MANIFOLD	140
2203 KUBOTA ENGINE EXHAUST MANIFOLD	142
2203 KUBOTA ENGINE ACCESSORIES AND SERVICE PARTS	144
2203 KUBOTA ENGINE LABEL AND OPERATOR'S MANUAL.....	146
2203 KUBOTA ENGINE UPPER GASKET KIT [OPTION]	148
2203 KUBOTA ENGINE LOWER GASKET KIT [OPTION].....	150
2203 KUBOTA ENGINE - RADIATOR AND SENDERS.....	152
2203 KUBOTA ENGINE - MOUNTS AND HOSE RETAINER	154
2203 KUBOTA ENGINE - AIR AND EXHAUST	156
2203 KUBOTA ENGINE - FUSE PANEL	158
2203 KUBOTA ENGINE - FUSE BOX DETAIL	160
2203 KUBOTA ENGINE - HYDRAULIC PUMP DETAIL	162
2203 KUBOTA ENGINE - HYDRAULIC PUMP DETAIL (CONTUIED).....	164
WARRANTY.....	167

STANDARD ABBREVIATIONS

°C-Degrees Celsius	INFO-Information
°F-Degrees Fahrenheit	INT-Internal or Interior
12V-12 Volts DC	LG-Long
AR-Abrasion Resistant	LH-Left Hand
ASSY-Assembly	LPG-Liquefied Petroleum Gas
ATO-Standard Auto Fuse Type Also called ATC	LP-Liquefied Petroleum
BHSCS-Button Head Screw SS	M8x1-Indicates Metric threads, 8mm Dia with a 1mm thread pitch
BLK-Black	MM-Millimeters
BLT-Belt	MNT-Mount
BR-Brass or Broom or Brush	MS-Mid Size
BRM-Broom	OD-Outside Diameter
BRKT-Bracket	PLTD-Plated
CB-Curb Broom	REV-Reverse
CCW-Counter Clockwise	RH-Right Hand
CI-Cubic Inch	ROT-Rotation
CW-Clockwise Rotation	RTR-Rotary Trash Relocator
CYL-Cylinder	SCR-Screw
DEG-Degrees	SC-Scrubber
DIA-Diameter	SP-Service Part
DPDT-Double Pole Double Throw	SPDT-Single Pole Double Throw
ELEC-Electric	SPST-Single Pole Single Throw
ES-Elastic Stop, also NYLOCK	SS-Stainless Steel
EXT-Exterior or Extended	STR-Straight
FI-Fuel Injection	ST-Straight
FS-Full Size	SUB-Sub Assembly
FTG-Fitting	THD-Thread
FWD-Forward	THK-Thick
REV-Reverse	THRU-Through
GAL-US Gallon (3.79 Liters)	UNC-Unified Nat'l Coarse Threads
GOV-Governor	UNF-Unified Nat'l Fine Threads
HD-Head	2203-Kubota Diesel Engine
HD-Heavy Duty	GM 1.6L-General Motors LP / Gasoline Engine
HOP-Hopper	W/-With
HSS-High Speed Steel	WELD-Weldment
HT-High Temperature	W/O-Without
HT-Height	SP-Zinc Plated
HYD-Hydraulic	
ID-Identification	
ID-Inside Diameter	
IMP-Impeller	

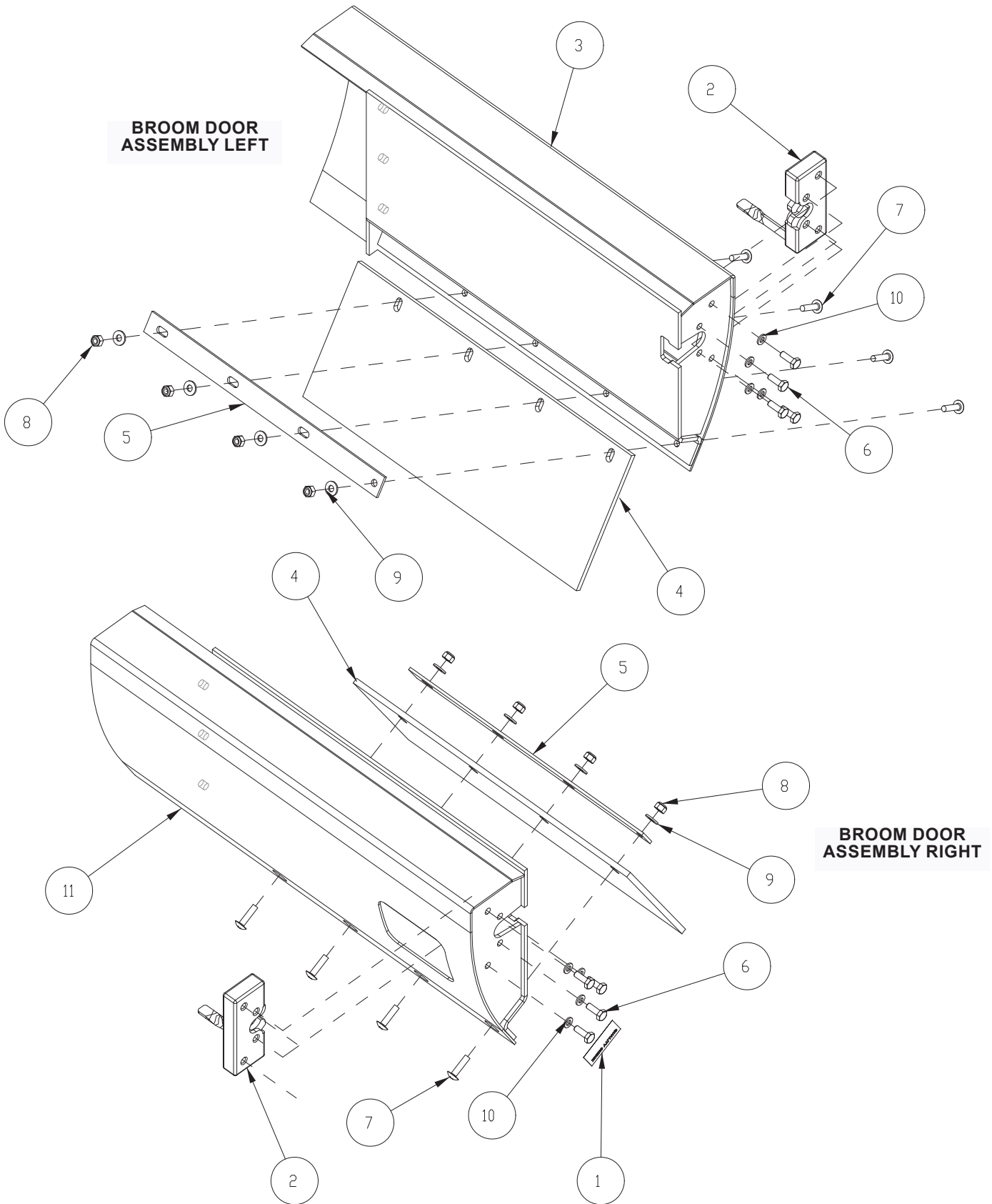
FRAME ASSEMBLY



PARTS BREAKDOWN

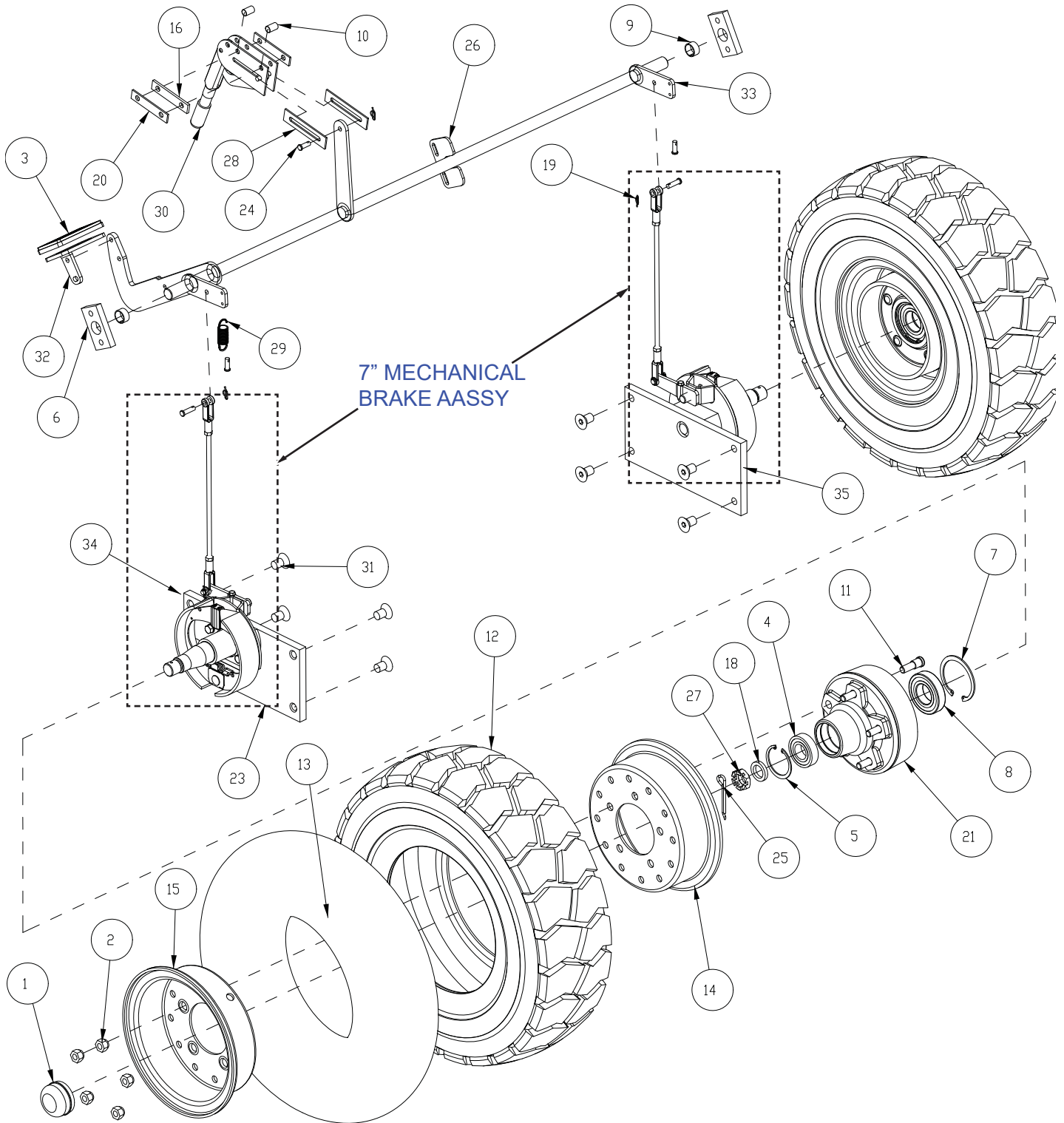
FRAME ASSEMBLY			
ITEM	PART NO.	REQ'D	DESCRIPTION
1	3307024	1	ASSEMBLY - BROOM DOOR LH 8/9/10x
2	3307025	1	ASSEMBLY - BROOM DOOR RH 8/9/10x
3	3307275	2	HINGE-BROOM DOOR SW/A PNTD
4	3307286	2	ARMA - BROOM CORNER FLAP
5	3350275	1	BACKING - CASTING COVER PNTD
6	3307287	2	ARMA - BROOM CORNER FLAP STRAP
7	3307320	1	COUNTERWEIGHT-RH MACHINED PNTD (GAS AND DIESEL MODELS)
8	3307321	1	COUNTERWEIGHT-LH MACHINED PNTD
9	3307519M	1	WELD-SKIRT RH REAR SIDE PNTD
10	3307520M	1	WELD-SKIRT LH REAR SIDE PNTD
11	3307658	1	CHAIN - FRAME GROUNDING
12	3307791	1	PAN - HOSE SW/A
13	3307792	1	BAR - HOSE PAN SUPPORT SW/A
15	3315203	2	RETAINER - HOPPER SIDE SEAL
16	3317117	1	ASSEMBLY - ENGINE LOCK SUB
17	3318143	2	SEAL - RUBBER HOPPER SIDE
18	3350153	1	FRAME WELD ASSY, 10X
19	3318739	3 ft.	WEATHER STRIPPING-RUBBER SPONGE
20	3350134	1	ASSY - LOWER CASTING COVER PNTD
21	3321296	1	WELD-BATTERY BOX ARMA
22	3350126	1	STRAP-FRAME HOPPER FLAP SW/10X
23	3350128	1	FLAP-REAR, SW/A
24	3350129	1	ARMA - REAR FLAP ANGLE
25	3350130	1	SEAL - FRAME HOPPER HORIZONTAL
26	3350131	1	FLAP - REAR FEED SW/A
27	3350132	1	STRAP - REAR FEED FLAP PAINTED
28	3350133	1	PLT - WD UPPER CASTING COVER

BROOM DOOR ASSEMBLY



BROOM DOOR ASSEMBLY			
ITEM	PART NO.	REQ'D	DESCRIPTION
2	3307246	1	LATCH-ROTARY
3	3307266M	1	WELD-DOOR, LH BROOM, SW/A PAINTED
4	3307280	1	FLAP - MAIN BROOM DOOR
5	3307284	1	STRAP - BRM DOOR FLAP PNTD
6	713002	4	SCR-HH 1/4-20 X .75 ZP 5
7	710182	4	SCR-THMS 1/4-20 X 1.00 ZP
8	711373	4	NUT-NYLOC 1/4-20 ZP
9	3400089	4	WASHER 1/4 ID .63 OD X .065 THK
10	3400103	4	WASHER-LOCK 1/4 SPLIT ZP
11	3307265M	1	WELD-DOOR, RH BROOM, SW/A PAINTED

AXLE, BRAKE AND WHEEL ASSEMBLIES

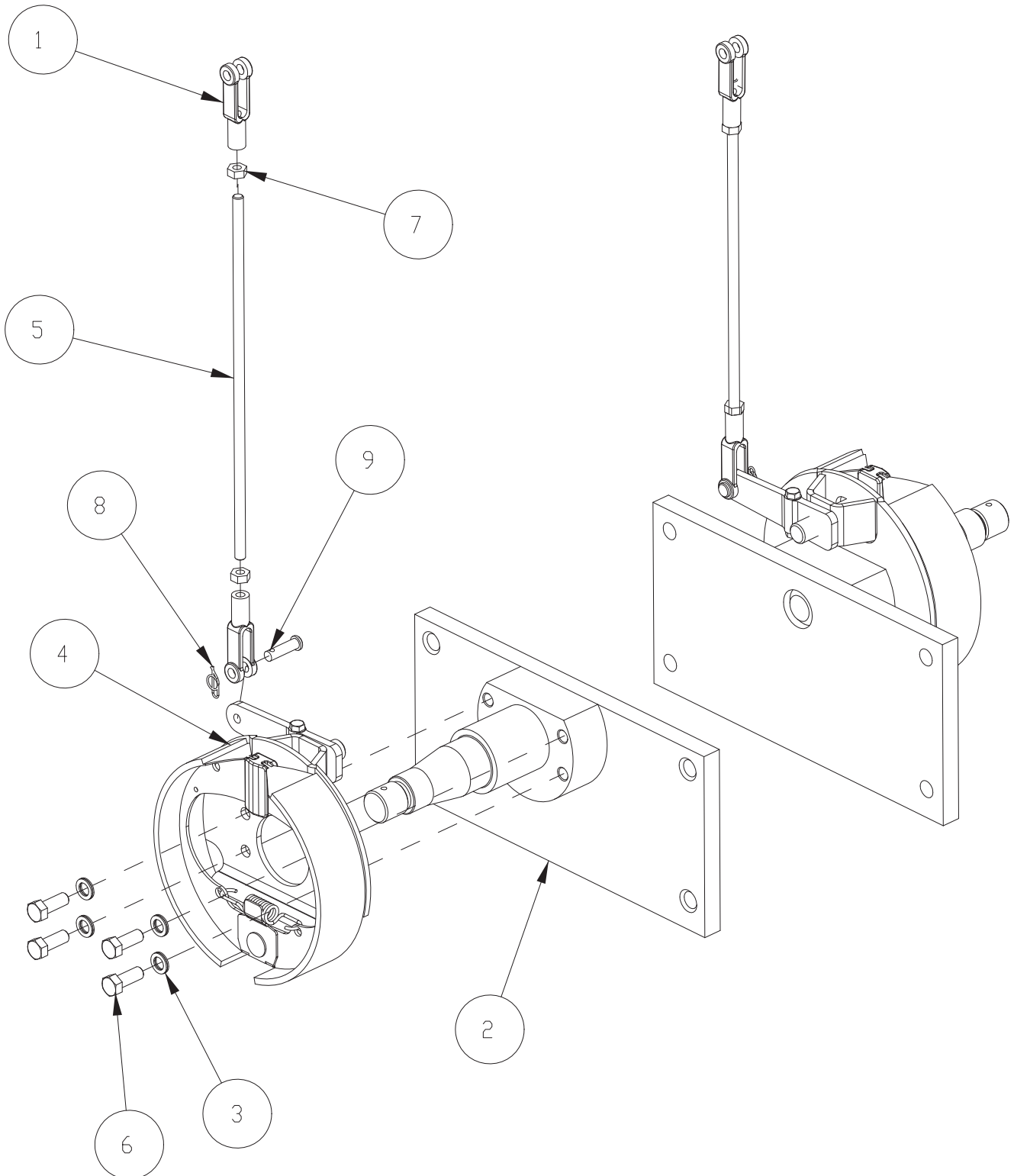


PARTS BREAKDOWN

AXLE, BRAKE AND WHEEL ASSEMBLIES			
ITEM	PART NO.	REQ'D	DESCRIPTION
1	3300369	2	CAP-HUB, 2.44" DIA.
2	3300411	10	NUT-LUG 1/2-20
3	3300413	1	PAD-BRAKE PEDAL
4	3300467	2	BEARING-BALL 2.44 OD X 1.18 ID
5	3300473	2	RETAINING RING, INT 2.44
6	3307233	2	MNT- BRG - BRAKE
7	3307237	2	RING - RET. INT. INNER WHEEL SW/A
8	3307238	2	BEARING - INNER WHEEL SW/A
9	3307239	2	BEARING-BRAKE ARM SW/A
10	3307241	2	SPACER-HAND BRAKE PLTD SW/A
11	3307242	10	STUD - WHEEL, 1/2-20X1.75 LG
12	3307252	2	TIRE-PNEUMATIC 6.50X10
13	3307253	2	TUBE - TIRE INNER, 600x9
14	3307254	2	RIM - REAR INNER SW/A
15	3307255	2	RIM - REAR OUTER SW/A
16	3307273	1	ARMA-HAND BRAKE SPACER
18	3307352	2	ARMA - FRONT HUB WASHER
19	3400125	5	PIN-COTTER 3/8 RUE RING
20	3307895	2	SPACER THIN-HAND BRAKE SW/A
21	3318288	2	HUB - 7 INCH I.D.
23	3334058	2	WELDMENT - FRONT AXLE
24	3400118	3	PIN-CLEVIS 5/16 x 7/8 ZP
25	3400120	2	PIN-COTTER 5/32 X 2.00 ZP
26	3334060	1	SUPPORT - MANUAL BRAKES SW/A
27	3400076	2	NUT-HEX JAM SLOTTED, 1-14 ZP
28	3334087	2	BAR-PARKING BRAKE SLIDER
29	3334098	2	SPRING-MANUAL BRAKE
30	3334173	1	LEVER-HAND BRAKE SW/A
31	3400011	8	SCREW-FLAT HEAD 5/8-11 X 1.00, SOC ZP
32	3337386	1	PLT - BRAKE PEDAL
33	3337543	1	WELDMENT - BRAKE BAR, 2PC
34	3334064	1	ASSY-AXLE 7" BRAKE RH SUB
35	3334065	1	ASSY-AXLE 7" BRAKE LH SUB

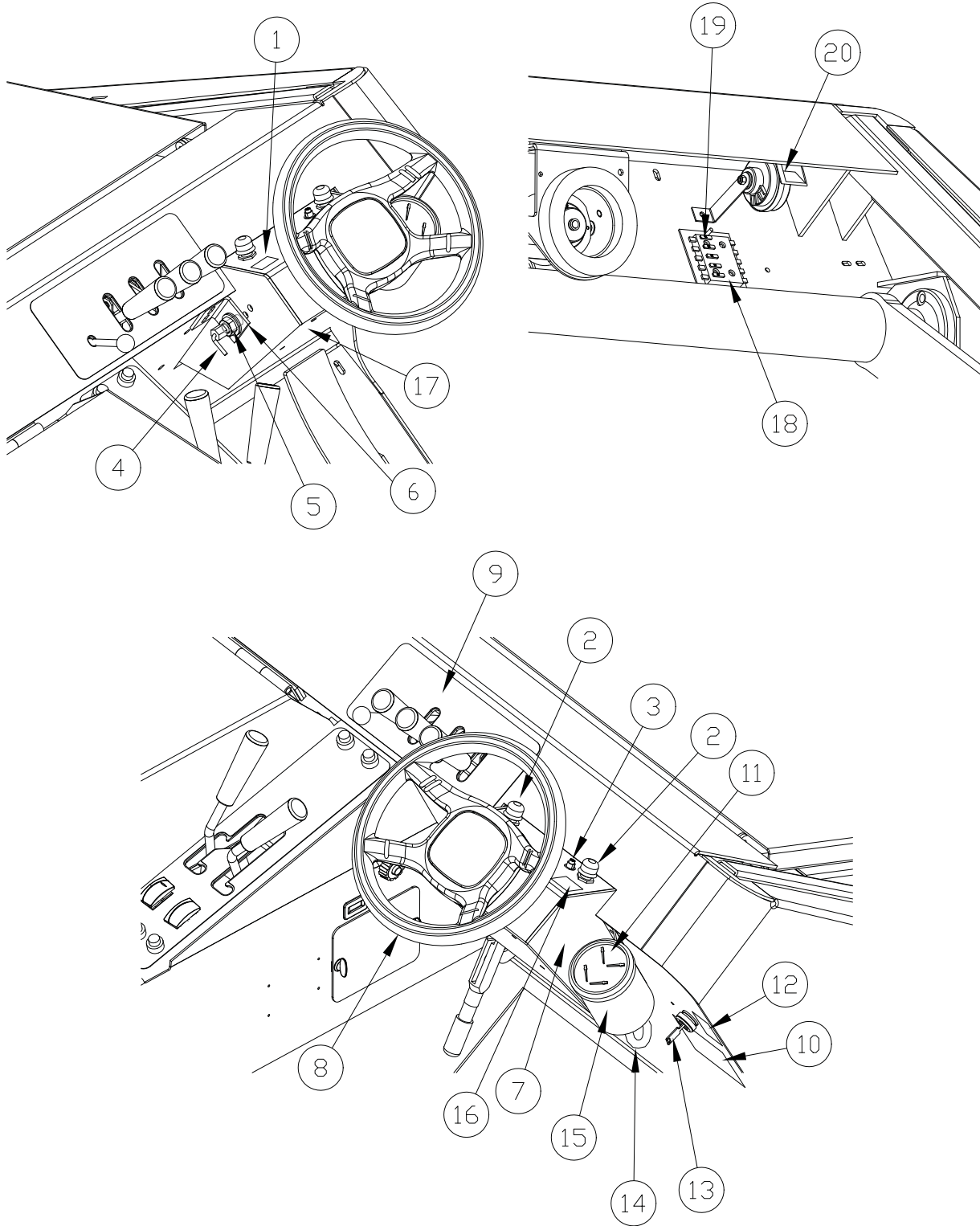
3307022
PNEUMATIC
FRONT TIRE
ASSEMBLY

7" MECHANICAL BRAKE ASSEMBLY



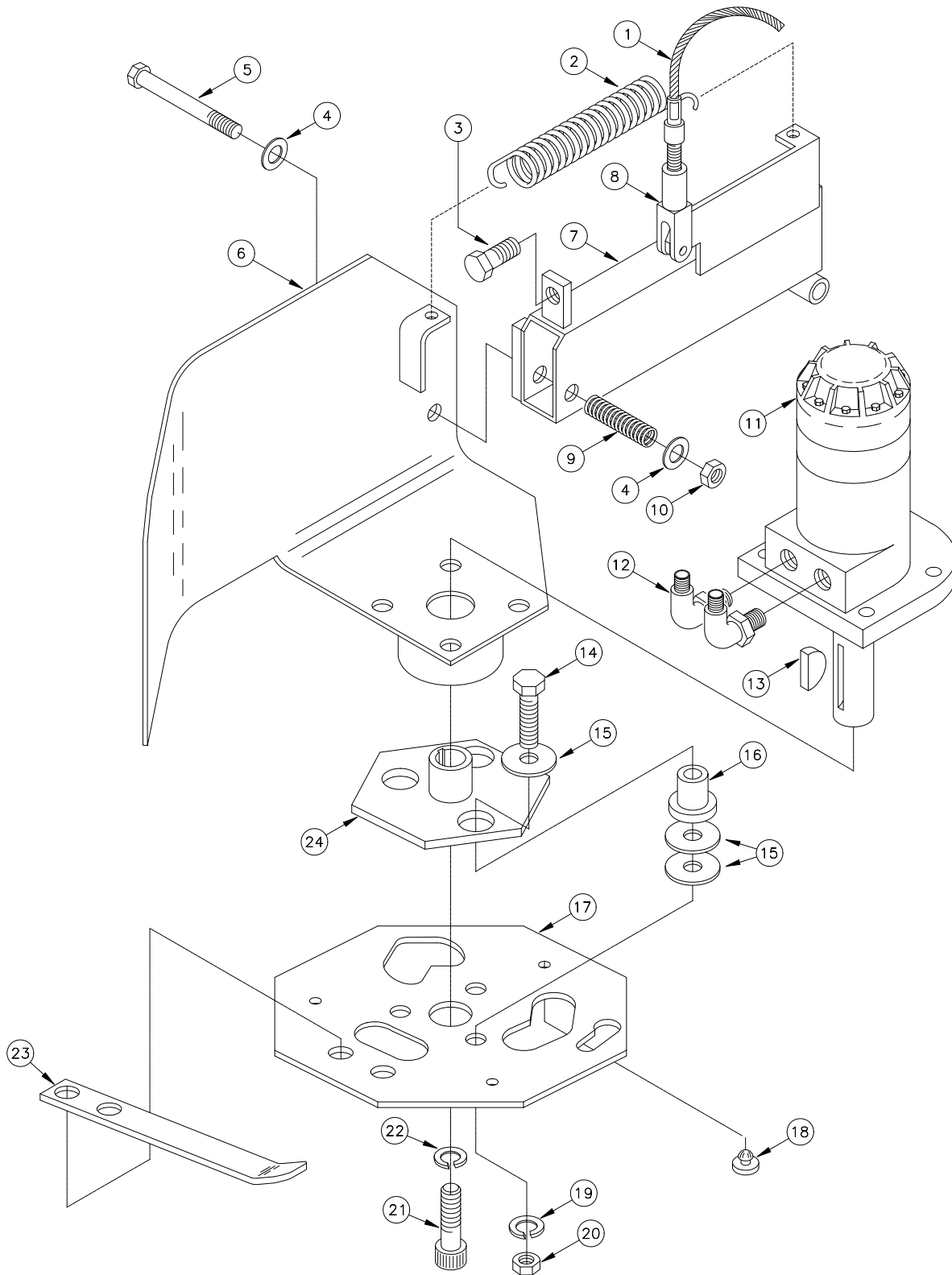
7" MECHANICAL BRAKE ASSEMBLY			
ITEM	PART NO.	REQ'D	DESCRIPTION
1	3307642	2	CLEVIS-5/16 PLTD SW/A
2	3334058	1	WELDMENT - FRONT AXLE
3	3401570-9	4	WASHER-NORD-LOCK, 3/8, ZP
4	3334059	1	BRAKE - 7" MANUAL LH&RH
5	3334061	1	ROD - MANUAL BRAKE ADJUST
6	3400030	4	SCREW-HHM 3/8-16 X 1.0 LG ZP
7	3400069	2	NUT-HEX 5/16-24 ZP
8	3400125	1	PIN-COTTER 3/8 RUE RING
9	3400184	1	PIN-CLEVIS 5/16 x 1-1/8 ZP

STEERING WHEEL, GAUGES & FUSES



STEERING WHEEL, GAUGES & FUSES			
ITEM	PART NO.	REQ'D	DESCRIPTION
1	3302520	1	DECAL-"FILTER SHAKER"
2	3300441	2	SWITCH MOMENTARY
3	3026924	1	CIRCUIT BREAKER-45AMP
4	3337002	1	PIN-QUICK RELEASE PLUNGER
5	3400192	2	NUT-JAM, 5/8-11 (ONE SHOWN)
6	3332453	1	MOUNT-TILT STEERING PIN
7	3338616P	1	WELDMENT-TILT STEERING
8	3338215	1	STEERING WHEEL-W/COVER
9	3307594	1	DECAL-FRONT PANEL
10	3301854	1	DECAL-"CAUTION"
11	3333721	1	GAUGE-4 IN 1, 3.50" DIA
12	3307599	1	DECAL-IGNITION
13	3316100	1	SW-IGNITION, 3-POS, W/STARTER LOCKOUT
	3322562	1	SET OF (2) SPARE KEYS
14	3335096	1	HARNESS-INSTRUMENT PANEL
15	3333719P	1	WELDMENT-GAUGE MOUNT
16	3302525	1	DECAL-"HORN"
17	3333717	1	COVER-TILT STEERING
18	3322599	1	FUSE BLOCK-ATO, 10 POSITION
19	3322601	5	FUSE-15 AMP AUTOMOTIVE PUSH IN
20	3300379	1	HORN-AUTOMOTIVE 12V

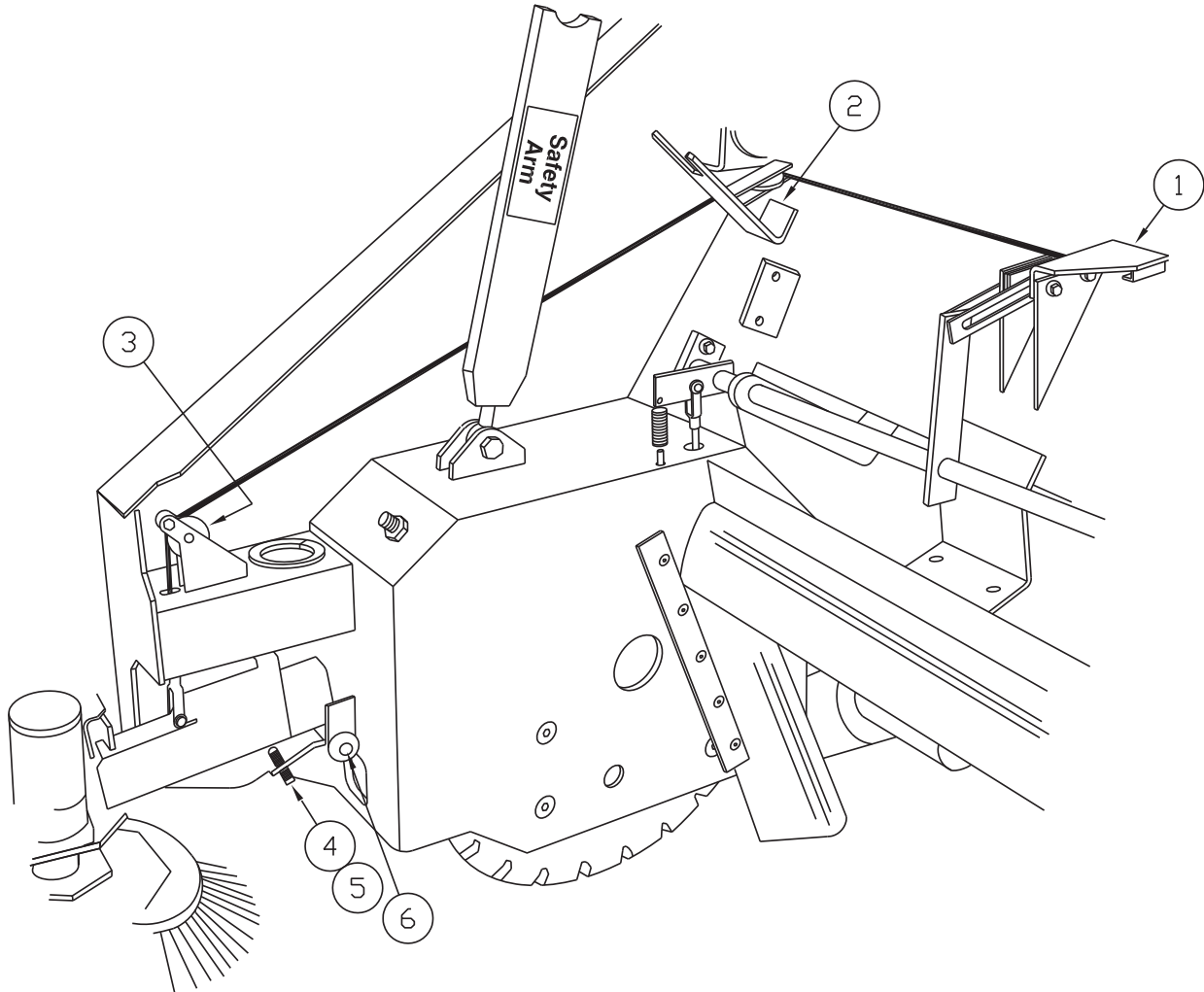
SIDE BROOM ASSEMBLY - DRIVE MOTOR, ARM AND MOUNTING



PARTS BREAKDOWN

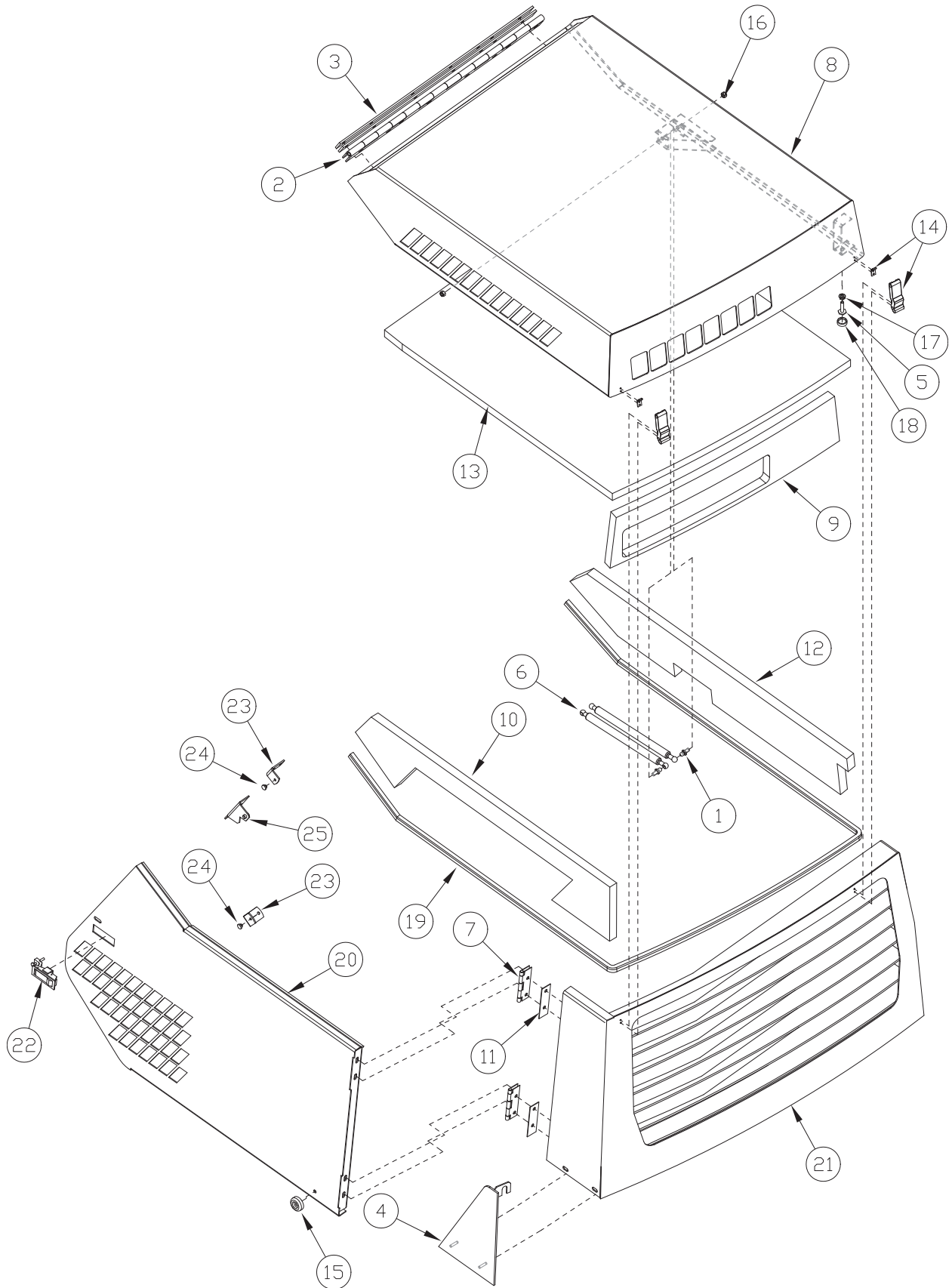
SIDE BROOM ASSEMBLY - DRIVE MOTOR, ARM AND MOUNTING			
ITEM	PART NO.	REQ'D	DESCRIPTION
1	3335120	1	CABLE-SIDE BROOM
2	3302599	1	SPRING-EXT LOOPS-IN-LINE
3	3400027	1	SCR-HH 3/8-16 X 1.75 ZP
4	3400087	4	WASHER-FLAT 3/8 STANDARD
5	3400258	1	SCR-HEX,3/8-24X4.00
6	3307654P	1	RH SIDE BROOM MOUNT PNTD
	3309782P	1	LH SIDE BROOM MOUNT PNTD (OPTIONAL)
7	3307527P	1	RH CURB BROOM ARM PNTD
	3309778	1	LH CURB BROOM ARM PNTD(OPTIONAL)
8	3307642	1	CLEVIS-5/16
9	3306179	2	SPRING-COMPRESSION, CURB BROOM
10	3400342	1	NUT-HEX 3/8-24 ES
11	3316897	1	MOTOR-HYD CURB BROOM
-	3321400	1	SEAL KIT FOR CURB BROOM MOTOR
12	675528	1	FTG-STR THD ELBOW -8 ORFS TO -10 SAE
13	3330338	1	KEY-SHAFT D-FOSS CB/MB/SC MTRS
14	3400028	3	SCR-HEX,3/8-16x1.50
15	3400278	9	WASHER-FENDER 3/8
16	3300465	3	ISOLATOR-RUBBER (.375IDx.81OD)
17	3301262	1	PLATE-GIMBAL SC HD
18	3300526	3	BUMPER-RUBBER 1/4IDx1/8 THK
19	3400101	3	WASHER-LOCK 3/8 SPLIT
20	3400068	3	NUT-HEX 3/8-16
21	3400049	1	SCR-SOCKET HEAD,1/4-20X0.75 NYLOCK
22	3400103	1	WASHER-LOCK 1/4 SPLIT
23	3302058	1	BAR-CURB BROOM RETAINER
24	3300875	1	WELDMENT-DRIVE HUB SC BR
-	3301474	1	SUB ASSY-DRIVE SCRUB BRUSH/CURB BROOM (INCLUDES ITEMS14-18 & 23-24)
-	3307033	1	SUB-CURB BROOM (INCLUDES ITEMS 2-7 & 9-24)

SIDE BROOM ASSEMBLY - ADJUSTMENT COMPONENTS



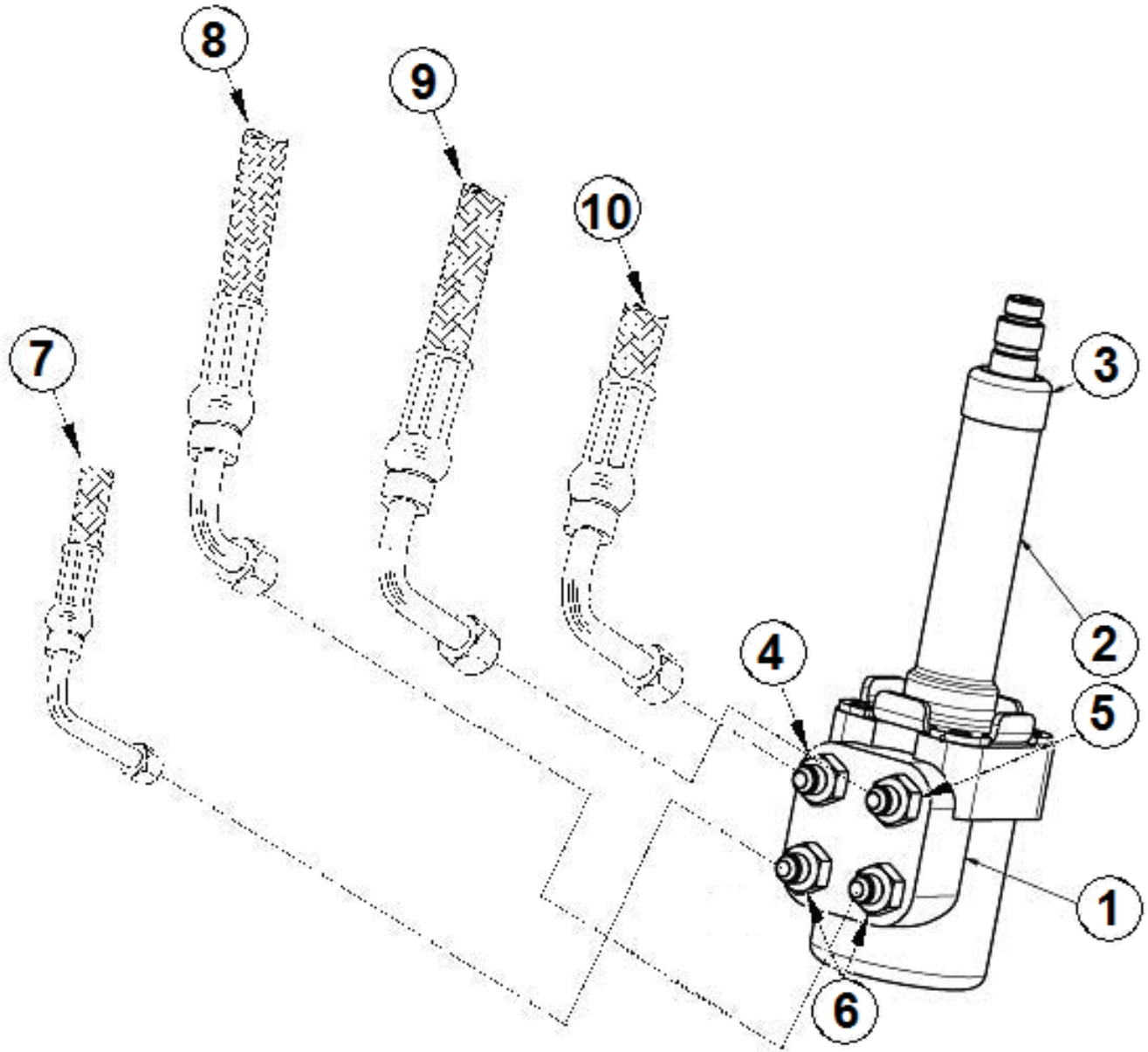
SIDE BROOM ASSEMBLY - ADJUSTMENT COMPONENTS			
ITEM	PART NO.	REQ'D	DESCRIPTION
1	3307861	1	WELDMENT-PULLEY MOUNT #3
2	3307865	1	WELDMENT-SAFETY ARM RETAINER/PULLEY MOUNT
3	3300368	3	PULLEY-PLASTIC ϕ 2", ϕ .25" GROOVE
4	3400404	1	SCR-SET,1/2-20X3.00
5	3400449	1	NUT-HEX JAM 1/2-20 (NOT SHOWN)
6	620027	1	PIN-CLEVIS 1/2 X 4.50 ZP

ENGINE COVER, SIDE DOOR, LATCH & REAR GRILL



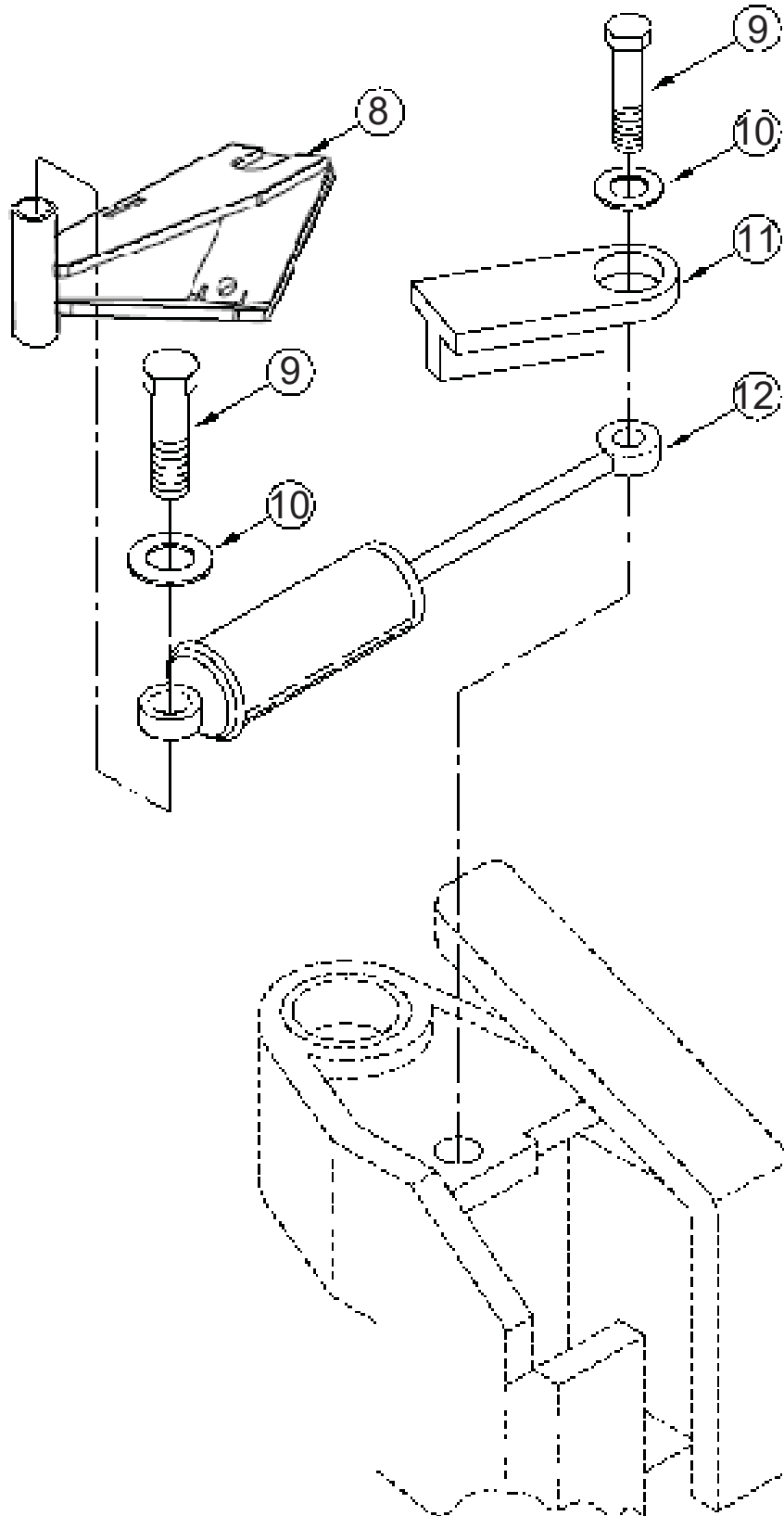
ENGINE COVER, SIDE DOOR, LATCH & REAR GRILL			
ITEM	PART NO.	REQ'D	DESCRIPTION
1	3300376	4	STUD-BALL 10MM
2	3350189	1	HINGE-ENGINE COVER SW/10X
3	3350207	2	SPACER-HINGE ENG COVER SW/10X
4	3307799	1	CORNER GUARD SW/A PNTD
5	3307639	1	LEVELER-5/16-18x1.5", 1" DIA,
6	3307589	2	SPRING-GAS 8" STROKE, 19.7" EXT. (70LBF)
7	3307560	-	SPACER-METAL, 0.060" THK SIDE DOOR (USE AS REQUIRED)
8	3335826	1	ENGINE COVER 10X ORANGE
9	3335831	1	INSULATION - ENG COVER BACK 10X
10	3335767	1	INSULATION - ENG COVER LH
11	3307513	2	HINGE-SIDE DOOR
12	690130	1	INSULATION-ENG COVER RH - 9X
13	3335830	1	INSULATION-ENG COVER TOP 10X
14	3307719	2	LATCH-RUBBER SOFT
15	3302482	1	BUMPER-RUBBER, 1.5" DIA, 5/8 THK
16	3400070	4	NUT-HEX 5/16-18 ZP GR 5
17	3400390	1	NUT-FLANGE LOCK 5/16-18
18	3304624	1	CAP-RUBBER BUMPER, (LEVELER)
19	3500198	10'	SEAL - TRIM
20	3338600	1	DOOR ,SIDE 10X ORANGE
21	3332418	1	RADIATOR GUARD 10X ORANGE
22	3300380	1	LATCH ASSY-#C2-10-301-50
23	3335015	2	STOP-90° SIDE DOOR, W/BUMPER
24	3300526	2	BUMPER-RUBBER 1/4IDx1/8 THK
25	3335174	1	WELDMENT-DOOR STRIKE

HYDRAULIC HOSES, STEERING UNIT & COLUMN



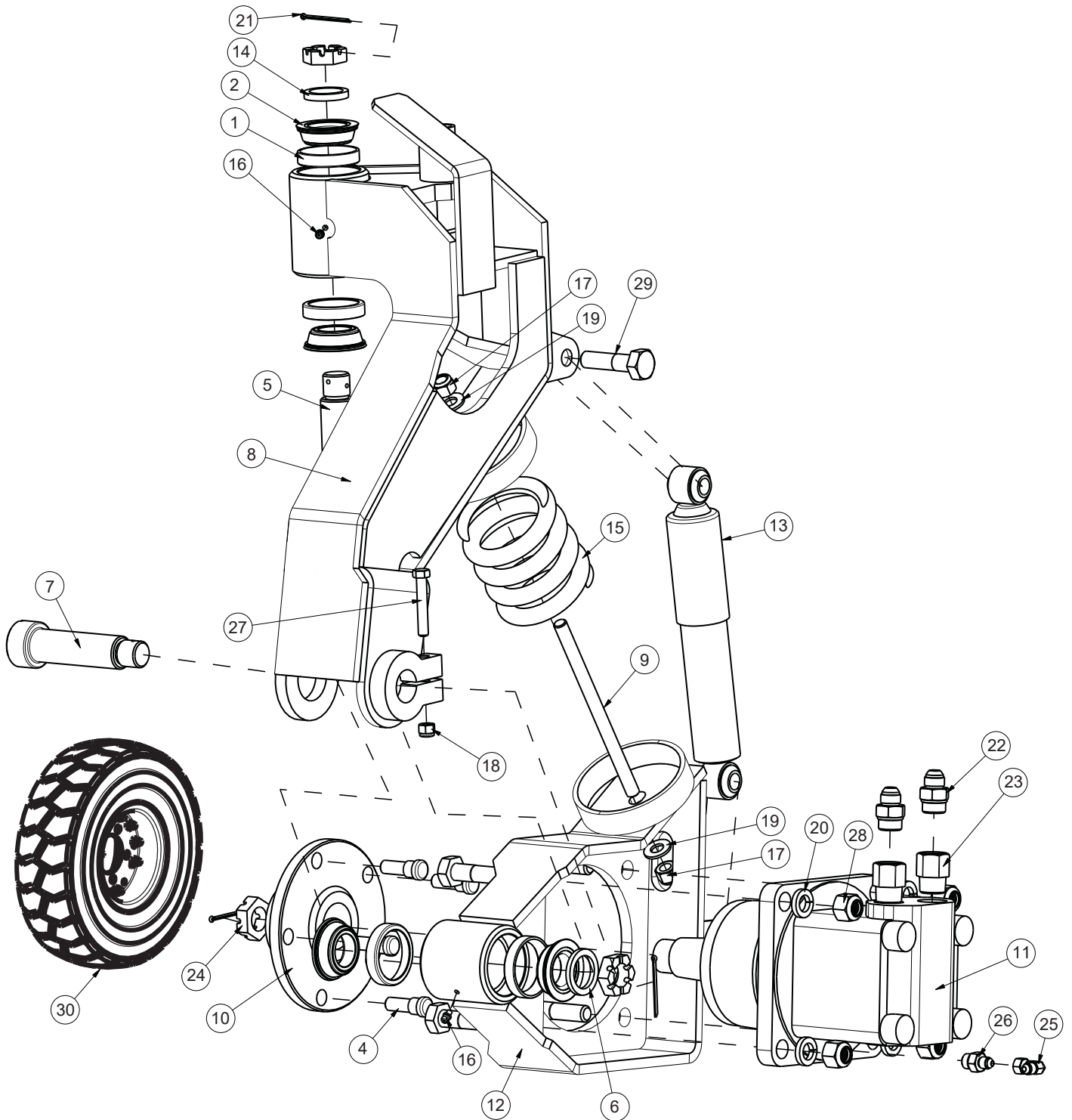
HYDRAULIC HOSES, STEERING UNIT & COLUMN			
ITEM	PART NO.	REQ'D	DESCRIPTION
1	3316899	1	POWER STEERING UNIT
-	3321160	1	KIT/FLD-SEAL PWR STRG UNIT
2	3316900	1	STEERING COLUMN-POWER STEERING
3	3324015	1	BOOT-STEERING COLUMN RUBBER
4	675511	1	FTG-STR THD CONNECTOR -4 ORFS TO -6 SA
5	675515	1	FTG-STR THD CONNECTOR -6 ORFS TO -6 SA
6	675552	2	FTG-STR THD 45 -6 ORFS TO -6 SAE
7	675662	1	HOSE 10X STEERING GEAR TO STEERING CYL ROD EN
8	675650	1	HOSE 10X STEERING GEAR TO STEERING CYL PISTON
9	675646	1	HOSE 10X STEERING GEAR TO RESV
10	675665	1	HOSE 10X AUX PUMP TO STEERING P PORT

STEERING CYLINDER



STEERING CYLINDER			
ITEM	PART NO.	REQ'D	DESCRIPTION
8	3317370P	1	STEERING MNT-ARMA PNTD
9	3400422	2	SCR-HEX,3/4-10X5.00 ZP
10	710122	2	WASHER-FLAT .812 ID X 2.0 OD
11	3340290	1	STEERING STOP ARMA PNTD
12	3345027	1	CYLINDER-STEERING

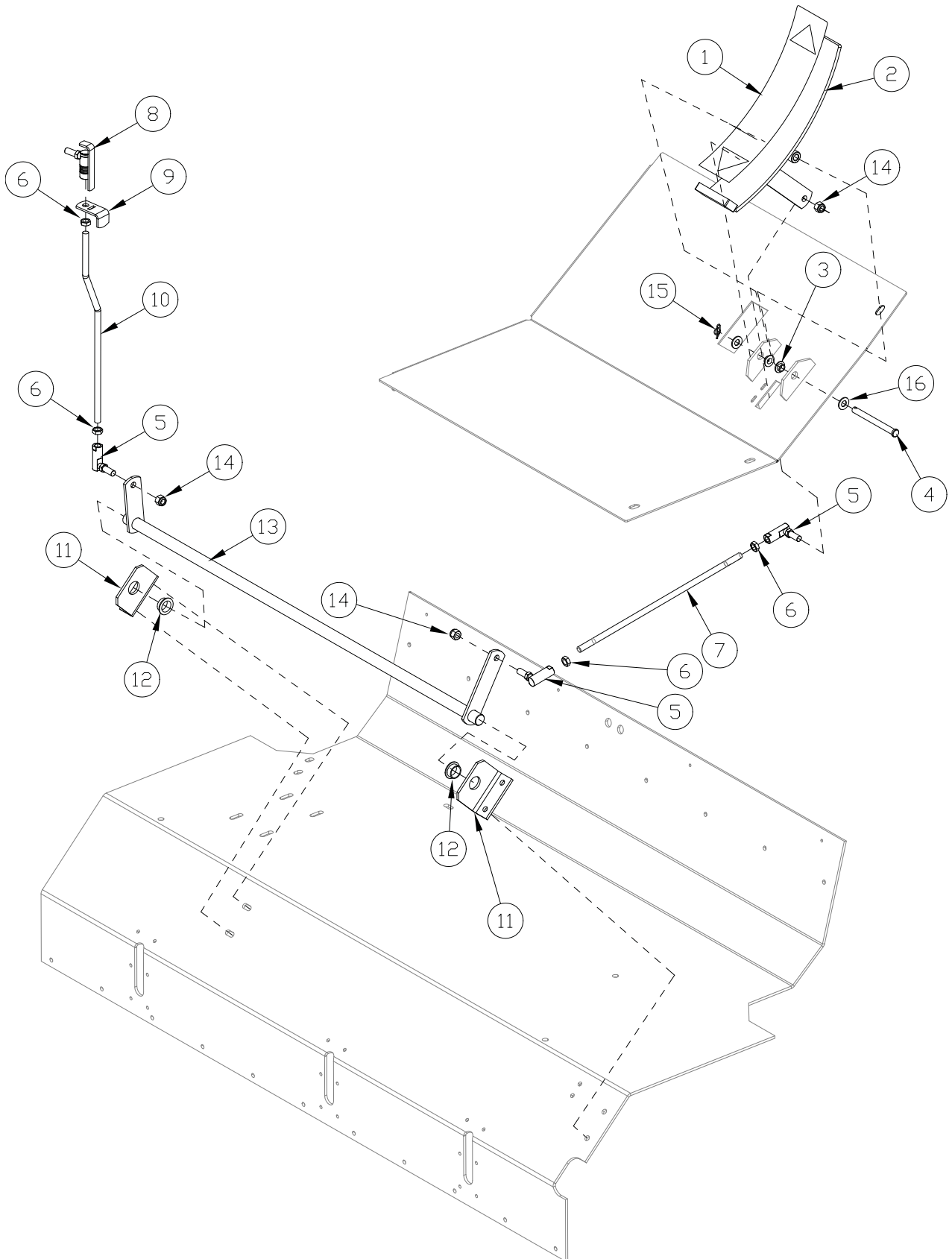
REAR DRIVE ASSEMBLY



PARTS BREAKDOWN

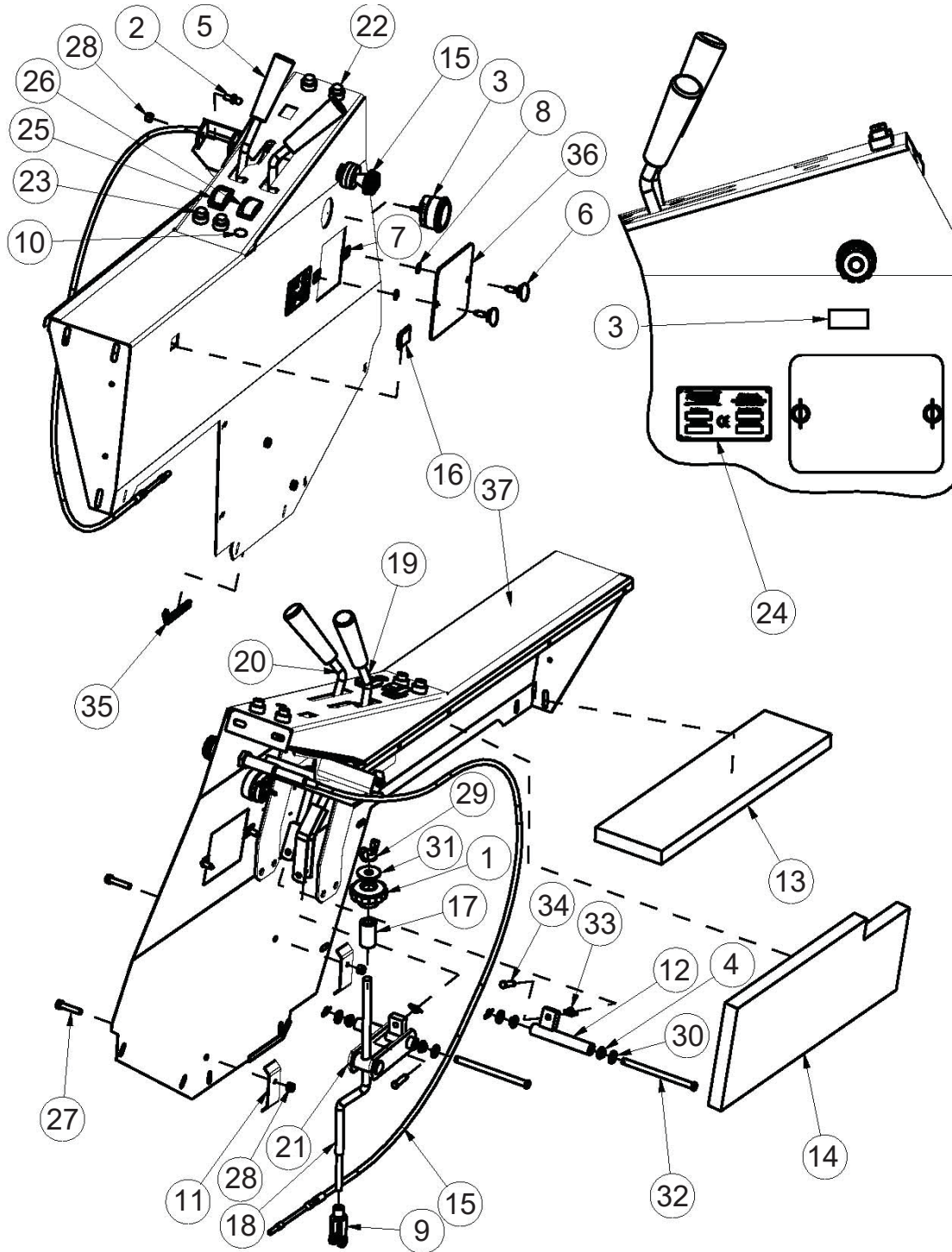
REAR DRIVE ASSEMBLY			
ITEM	PART NO.	REQ'D	DESCRIPTION
1	3300470	4	BEARING-TAPERED ROL CUP
2	3300471	4	BEARING-TAPERED ROLCONE W/SEAL
4	3307348	5	STUD - WHEEL, 1/2-20X 1.63 (REAR SW/A)
5	3307349P	1	PIN - REAR FORK SW/A
6	3309594	1	SPACER-POWERFLEX PLTD
7	3309790	1	PIN-KNEE POWERFLEX FABRICATED
8	3316888	1	WELDMENT - STEERING FORK
9	3319410	1	ROD-TENSION POWER FLEX
10	3321150	1	HUB-REAR ARMA OMTW SERIES
11	3321151	1	MOTOR-DRIVE ARMA OMTW SERIES
-	3321159	1	KIT/FLD-SEAL KIT WHEEL MOTOR
12	3321170	1	MNT-MOTOR P-FLEX 10X
13	3321176	1	SHOCK ABSORBER-POWER FLEX
14	3337860	1	SPACER-STEERING FORK
15	3350209	1	SPRING-POWER FLEX ARMA
16	3400012	2	FTG-GREASE 3/16 DRIVE
17	711376	2	NUT-NYLOC 1/2-13 ZP
18	711380	1	NUT-NYLOC 3/8-16 ZP
19	3400086	2	WASHER-FLAT 1/2 ZP
20	712315	4	WASHER-LOCK 5/8 SPLIT ZP
21	3400122	3	PIN-COTTER 1/8 X 2.00 ZP
22	675577	2	FITTING, MALE O-RING FACE SEAL, 90 DEG
23	3400167	2	FTG-ADAPTER 1 1/6-12 EXT TO
24	3400223	3	NUT-HEX SLOTTED 1-20
25	675739	1	FTG-4C6LO-S SWVL NUT ELL S-LOK
26	675511	1	FTG-STR THD CONNECTOR -4 ORFS TO -6 SA
27	3400339	1	SCR-HEX 3/8-16 X 2.25
28	3400483	6	NUT-NYLON LK 5/8-11
29	3400485	6	SCR - HHM 5/8 - 11 X 2.5 ZP
30	3307022	1	ASSY-TIRE FRONT PNEUM 8/9/10X

DIRECTIONAL CONTROL LINKAGE ASSEMBLY



DIRECTIONAL CONTROL LINKAGE ASSEMBLY			
ITEM	PART NO.	REQ'D	DESCRIPTION
1	3300544	1	PAD-FOOT PEDAL
2	3337390	1	PEDAL - FWD/REV, ARMADILLO 1-PC
3	3300414	2	BUSHING-PLASTIC FLANGED, .375IDx.50OD
4	3400114	1	PIN-CLEVIS, 3/8x4
5	3300461	2	BALL JOINT-3/8-24
6	3400075	4	NUT-JAM, 3/8-24
7	3307222	1	ROD-DIRECTIONAL CONTROL
8	3307611	1	QUICK RELEASE- FWD/REV
9	3307613	1	HANDLE-QUICK RELEASE
10	3307938	1	ROD-DIRECTIONAL CONTROL DIESEL
11	3307223	2	MOUNT-DIRECTIONAL CONTROL
12	3307220	2	BUSHING-PLASTIC FLANGED,
13	3350188	1	DIRECTIONAL TORQUE TUBE
14	3400342	4	NUT-HEX 3/8-24 ES ZP
15	3400125	1	PIN-COTTER 3/8 RUE-RING
16	3400087	1	WASHER-FLAT 3/8 STANDARD ZP

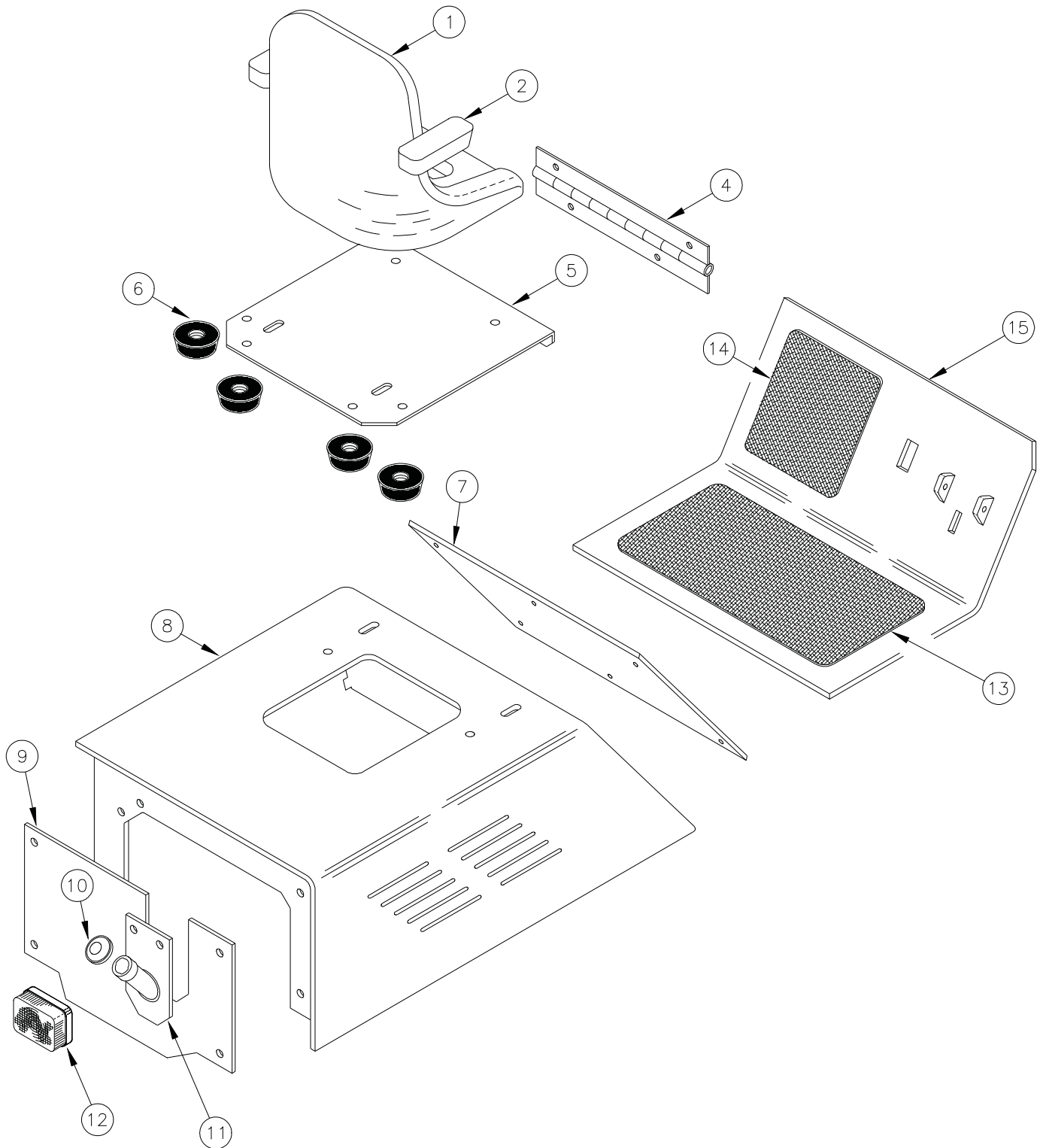
CONSOLE ASSEMBLY



PARTS BREAKDOWN

CONSOLE ASSEMBLY			
ITEM	PART NO.	REQ'D	DESCRIPTION
1	3300352	1	KNOB-MB LIFT ADJ.
2	3300376	2	STUD-BALL, GAS SPRING, 5/16-18
3	3336094	1	GAUGE-HOUR METER, DIGITAL, SNAP
4	3300414	4	BUSHING-PLASTIC 3/8IDx1/2OD
5	600264	2	HANDLE CONTURED
6	3301147	2	SCR-5/16 ACME THD, WING HEAD,
7	3301155	2	CLIPNUT-5/16-18
8	3301156	2	RETAINER-CAPTIVE SCREW
9	3339955	1	CLEVIS WITH PIN AND COTTER
10	3301669	1	PLUG-PLASTIC, 11/16 DIA
11	3305398	2	CLAMP-HYD HOSE, PLATED
12	3307614	1	WELD-PIVOT SB LIFT
13	3307846	1	INSULATION-CONSOLE TOP
14	3307847	1	INSULATION-DRIVER COMP SIDE
15	3321179	1	CABLE-THROTTLE
16	3323529	1	PLUG-CARLING CONTURA SWITCH
17	3333672	1	SPACER-MB LIFT ROD
18	3334984	1	ROD-MAIN BROOM, LOWER
19	3338296	1	WELD-ROD, MAIN BROOM, UPPER
20	3338297	1	WELD-ROD, SIDE BROOM, UPPER
21	3335112P	1	WELD-LIFT ARM, MAIN BROOM,
22	3335320	1	"SUB-LIGHTS, RTR INDICATOR (Includes Lights & Harness)"
23	3335703	1	ASSY-LIGHTS(Includes 2 Red Lights & Harness)
24	715732	1	ID PLATE-SERIAL # INFO
25	3342705	1	HEADLIGHT SWITCH
26	3342703	1	THROTTLE SWITCH
	3343912	1	GLOW PLUG SWITCH
27	3400033	2	SCR-HEX,5/16-18X1.50
28	711374	2	NUT-HEX 5/16-18 ES
29	3400084	1	NUT-WING 1/2-13
30	3400087	4	WASHER-FLAT 3/8 STANDARD
31	3400091	1	WASHER-FENDER 1/2 ZP
32	3400113	2	PIN-CLEVIS 3/8x5-1/2 ZP
33	3400125	4	PIN-COTTER 3/8 RUE-RING
34	3400185	2	PIN-CLEVIS 5/16x1-1/4
35	3500118	1'	EDGING-VINYL TRIM 1/8" (PER FOOT)
36	3307554	1	COVER BROOM ADJ.
37	3335003M	1	WELD-CONSOLE, DRIVER SIDE,
	3335602	1	DECAL-CONSOLE, 10X DIESEL
	3335689	1	"CONSOLE SUB(INCLUDES 2-8,12-14,19-23,25,26,28,30,32-34,36,37)"

SEAT, FLOOR PAN & TAIL LIGHT

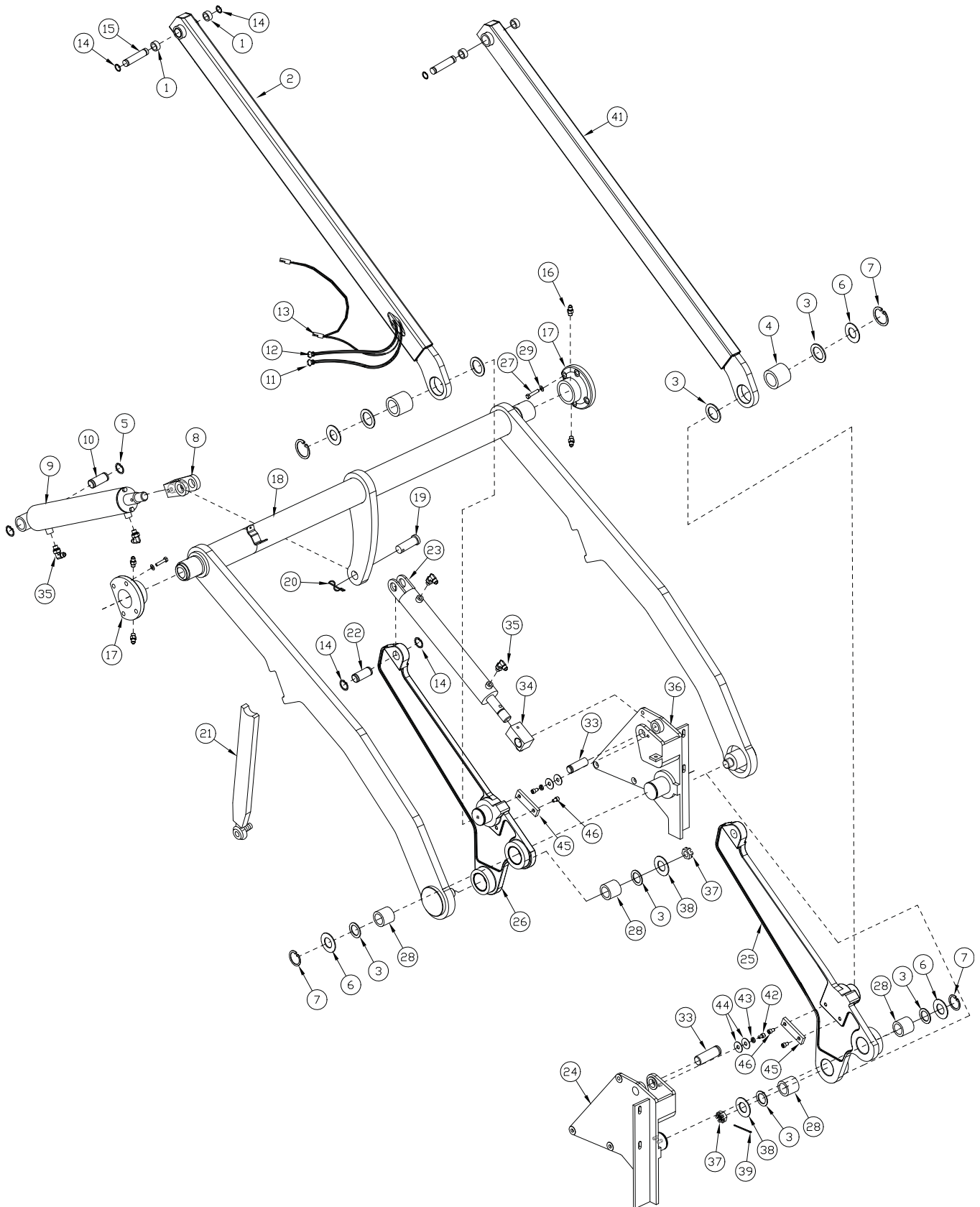


9, 10 & 11 for Gas/Diesel models.

PARTS BREAKDOWN

SEAT, FLOOR PAN & TAIL LIGHT			
ITEM	PART NO.	REQ'D	DESCRIPTION
1	620219	1	SEAT STD W SEAT BELT RECEIVERS
2	620239	1	ARM-REST (MILSCO P/N C6146CS)
4	3335033P	1	HINGE-UNIVERSAL SEAT MNT, AM9D
5	3333729P	1	MOUNT-SEAT
6	3302482	4	BUMPER-RUBBER, 1.5" DIA, 5/8 THK
7	3333733P	1	WELDMENT-ACCESS PLATE SEAT CLIP
8	3335027M	1	WELDMENT-SEAT CLIP
9	3307293	1	PANEL-REAR COVER
10	3343413	1	CAP- FUEL TANK W/TETHER
11	3335386	1	WELD-FUEL FILL
12	3303204	2	LIGHT-COMBINATION TAIL, 12V
-	3334179	2	BULB-TAIL LIGHT 12V
13	3307588	1	FLOOR MAT-LARGE
14	3307587	1	FLOOR MAT-SMALL
15	3337387P	1	FLOOR BOARD - UPPER, ARMADILLO
	3337388P	1	FLOOR BOARD - LOWER, ARMADILLO

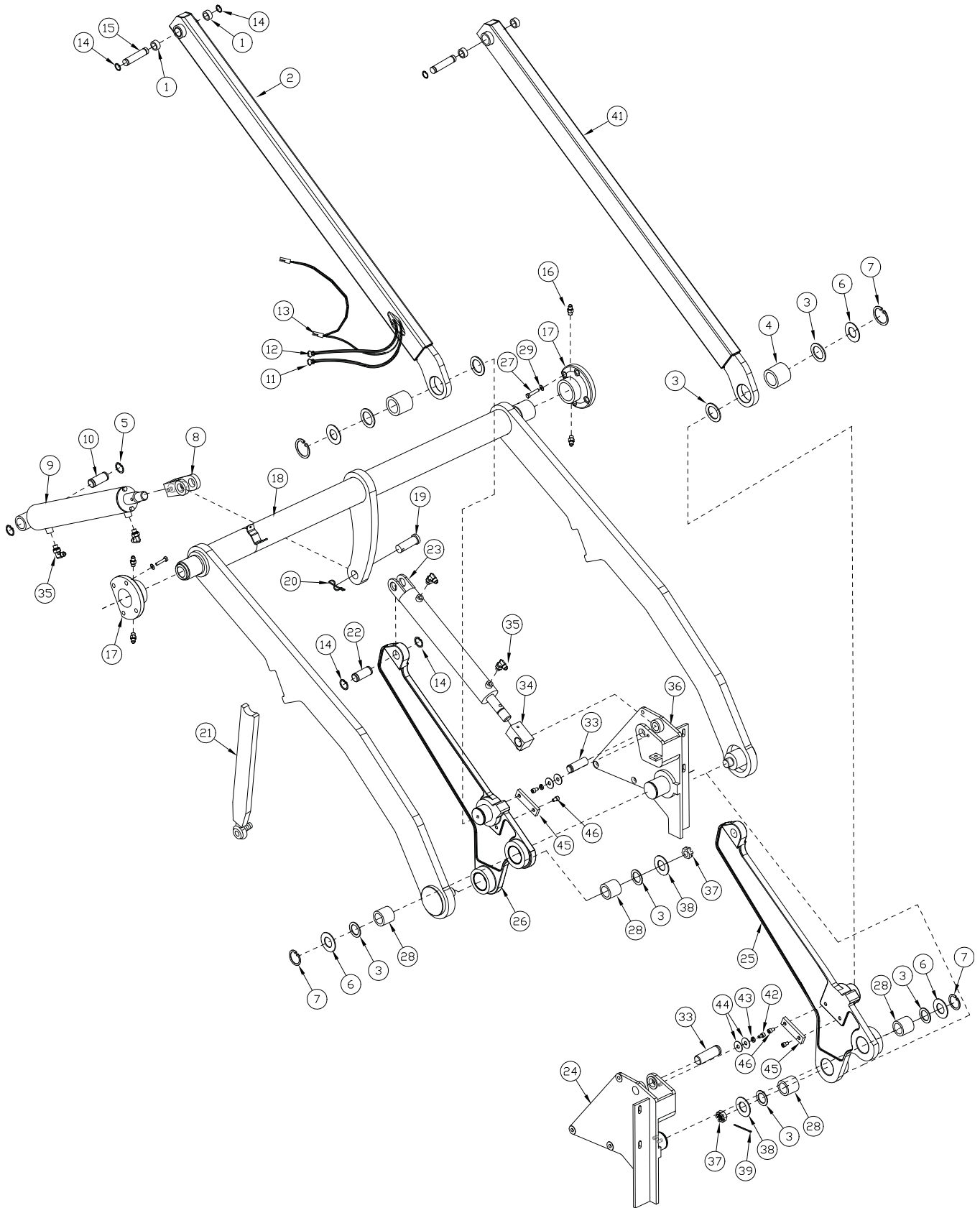
LIFT & ROTATION CYLINDERS, HYDRAULIC HOSES



PARTS BREAKDOWN

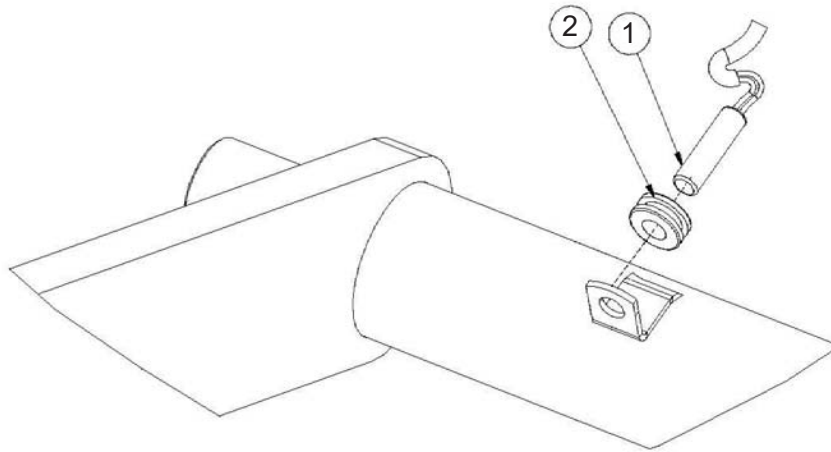
LIFT & ROTATION CYLINDERS, HYDRAULIC HOSES			
ITEM	PART NO.	REQ'D	DESCRIPTION
1	3300837	4	BEARING-1.12 ODx1.00 IDx.75
2	3335668	1	ASSY- SECONDARY ARM, RH 10X (INCLUDES BEARINGS AND HOSES)
	3334551P	1	LIFT ARM-UPPER RH 10X (ARM ONLY)
3	3400177	10	BEARING-THRUST 2.06 IDx3.25 OD
4	3300836	2	BEARING-2.18 ODx2.00 IDx.75
5	3307431	2	RING-RETAINING EXT LIFT CYL
6	3300882	6	WASHER-HD 3.25 ODx2.00 ID
7	3301709	4	RING-RETAINING, EXT 2.00 DIA
8	3301370	1	CLEVIS-HYD CYL PNTD
9	3307243	1	CYLINDER-HYD HOPPER LIFT
-	3309289	1	KIT-SEAL CYL HOPPER LIFT
10	3307408	1	PIN-LOWER LIFT CYLINDER,
11	675643	1	HOSE-10X VAVLE PORT C TO ROTATE CYL ROD END R
12	675649	1	HOSE-10X VAVLE PORT D TO ROTATE CYL PISTON EN
13	3336963	1	HARNESS-WIRING LIFT
14	3301998	8	RING-RETAINING, EXT .940 DIA
15	3307430	2	PIN-UPPER LIFT ARM, .998 DIA,
16	3400012	4	FTG-GREASE 3/16
17	3307605	2	ASSEMBLY-DUMP ARM MOUNT
18	3350103	1	WELDMENT-HOPPER LIFT ARM
19	3400107	1	PIN-CLEVIS 1.00 DIAx2-5/8 LG,
20	3400121	1	PIN-COTTER 5/32 DIAx2.00 LG,
21	3343821	1	ASSEMBLY-SAFETY ARM W/BALL JOINT
22	3307607	2	PIN-ROTATION CYL, .998 DIA,
23	3307323	2	CYLINDER-ROTATION SW/A PNTD
-	3304626	2	SEAL-KIT ROTATION CYLINDER
24	3335361	1	PIVOT-HOPPER LH
25	3335363	1	ASSY- CYLINDER MOUNT LH (INCLUDES BEARINGS)
	3335362	1	LIFT ARM ROTATION LH 10X
26	3307074	1	ASSY- HYDRAULIC CYL MNT,RH 10X (INCLUDES BEARINGS)
	3317366	1	LIFT ARM ROTATION RH 10X

LIFT & ROTATION CYLINDERS, HYDRAULIC HOSES (CONTINUED)



LIFT & ROTATION CYLINDERS, HYDRAULIC HOSES (CONTINUED)			
ITEM	PART NO.	REQ'D	DESCRIPTION
27	3401650	8	SCR-SOC ZP
28	3300840	6	BEARING-2.18 ODx2.00 IDx1.50
29	3400099	8	WASHER-LOCK 7/16 SPLIT ZP
33	3307606	2	PIN-FRONT ROTATION CYL, .998 DIA,
34	3317119	1	ASSY- BLOCK ROTATION RH 10X
	3317124	1	ASSY- BLOCK ROTATION LH 10X
35	675518	6	FTG-STR THD ELBOW -6 ORFS TO -5 SAE
36	3317364	1	PIVOT-HOPPER RH
37	3400076	2	NUT-HEX JAM SLOTTED, 1-14
38	3300879	2	WASHER-HD 3.25 ODx1.00 ID
39	3400122	2	PIN-COTTER 1/8 X 2.00 ZP
41	3334553	1	ASSY- SECONDARY ARM, LH 10X (INCLUDES BEARINGS AND HOSES)
	3334454P	1	LH SECONDARY ARM ONLY (NO BEARINGS)
	675655	1	HOSE-10X VALVE PORT D TO ROTATE CYL PISTON E
	675645	1	HOSE-10X VALVE PORT C TO ROTATE CYL ROD END
42	3400219	2	SCR-SOC,5/16-18X0.50 ZP
43	3400102	2	WASHER-LOCK 5/16 SPLIT ZP
44	3400278	4	WASHER-FENDER 3/8 ZP
45	3336580	2	STOP-ROTATE CYL
46	3400030	4	SCR-HEX ZP

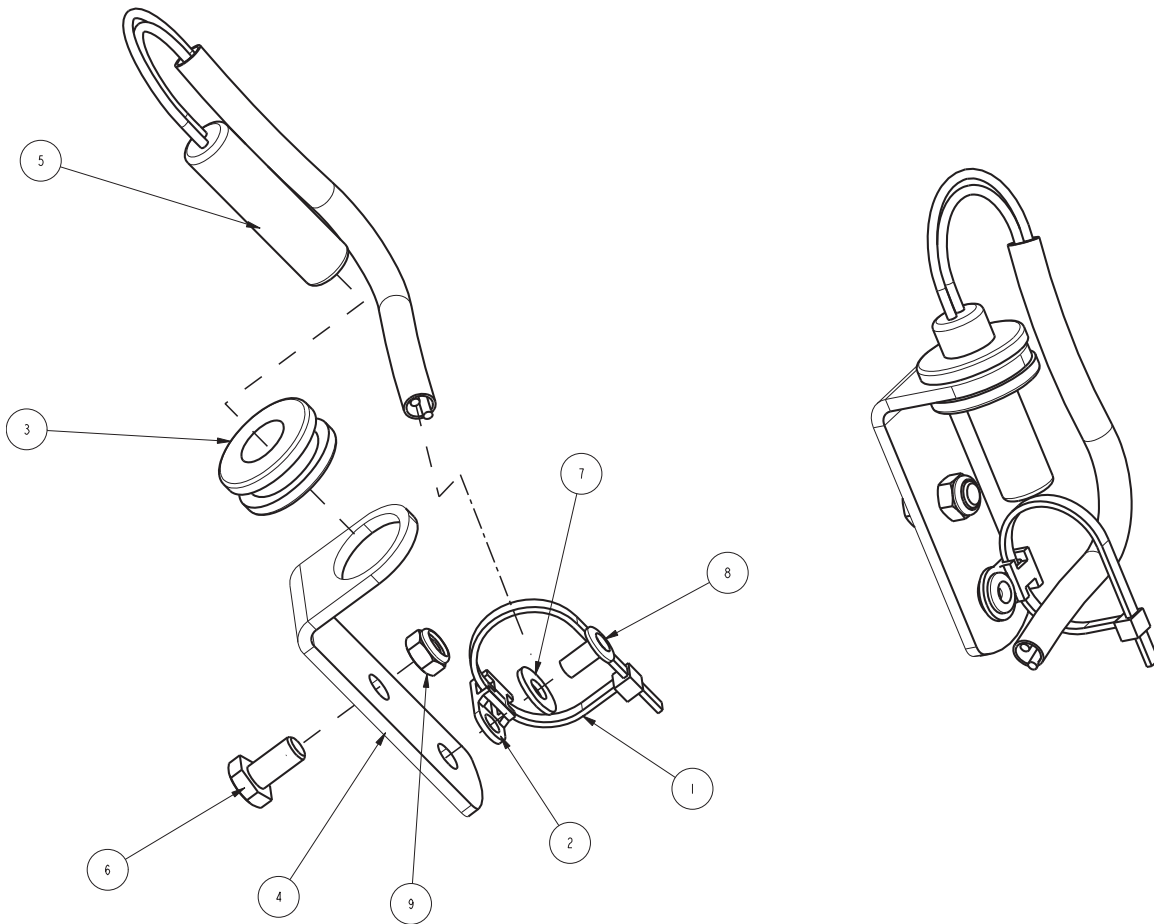
RTR SWITCH DETAIL - LIFT ARM



RTR SWITCH DETAIL - LIFT ARM			
ITEM	PART NO.	REQ'D	DESCRIPTION
1	3336963	1	TIE-WIRE BLACK 8.00 IN.
2	3311564	1	GROMMET-RUBBER, 1/2 ID

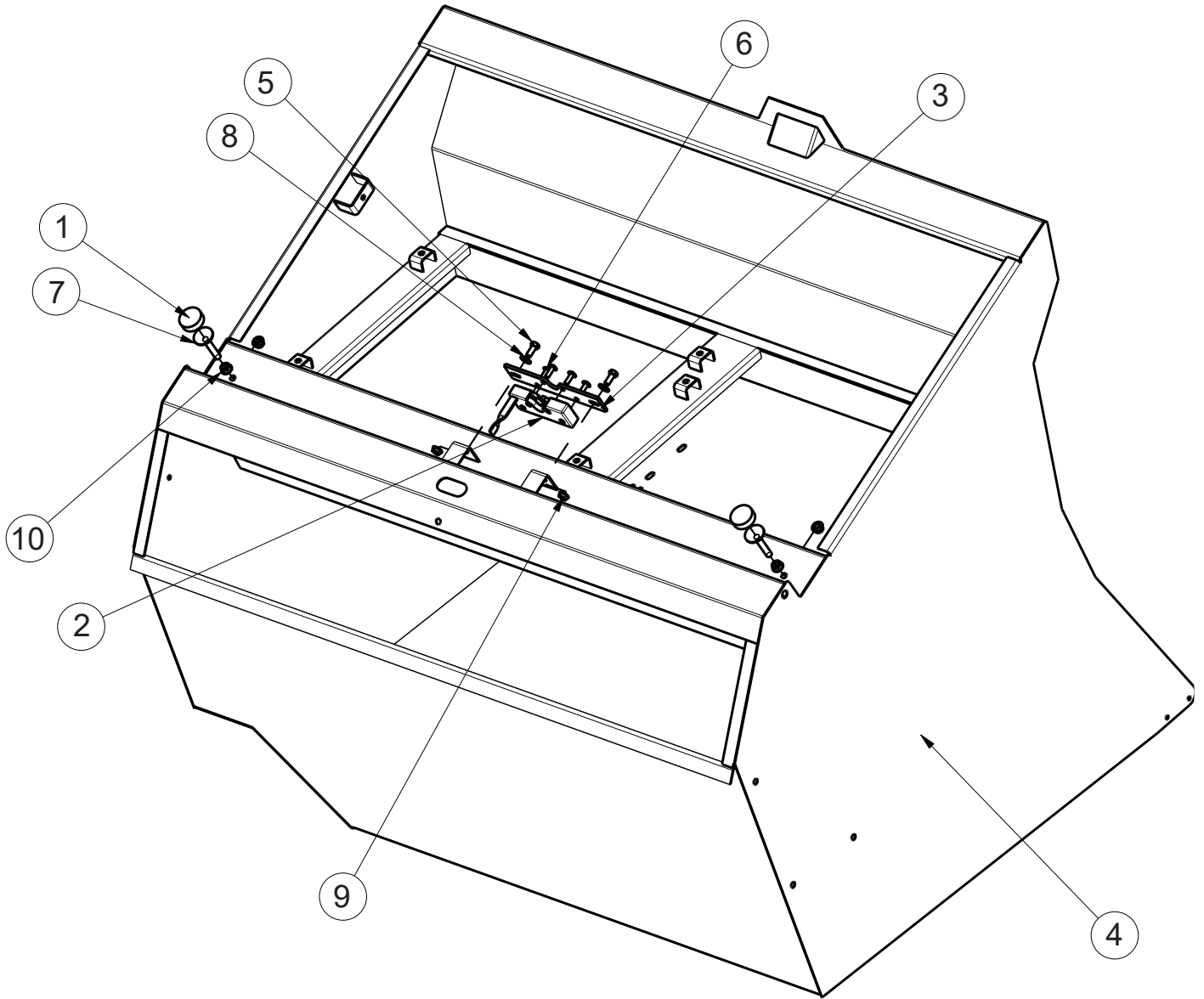
PARTS BREAKDOWN

RTR SWITCH DETAIL - HOPPER



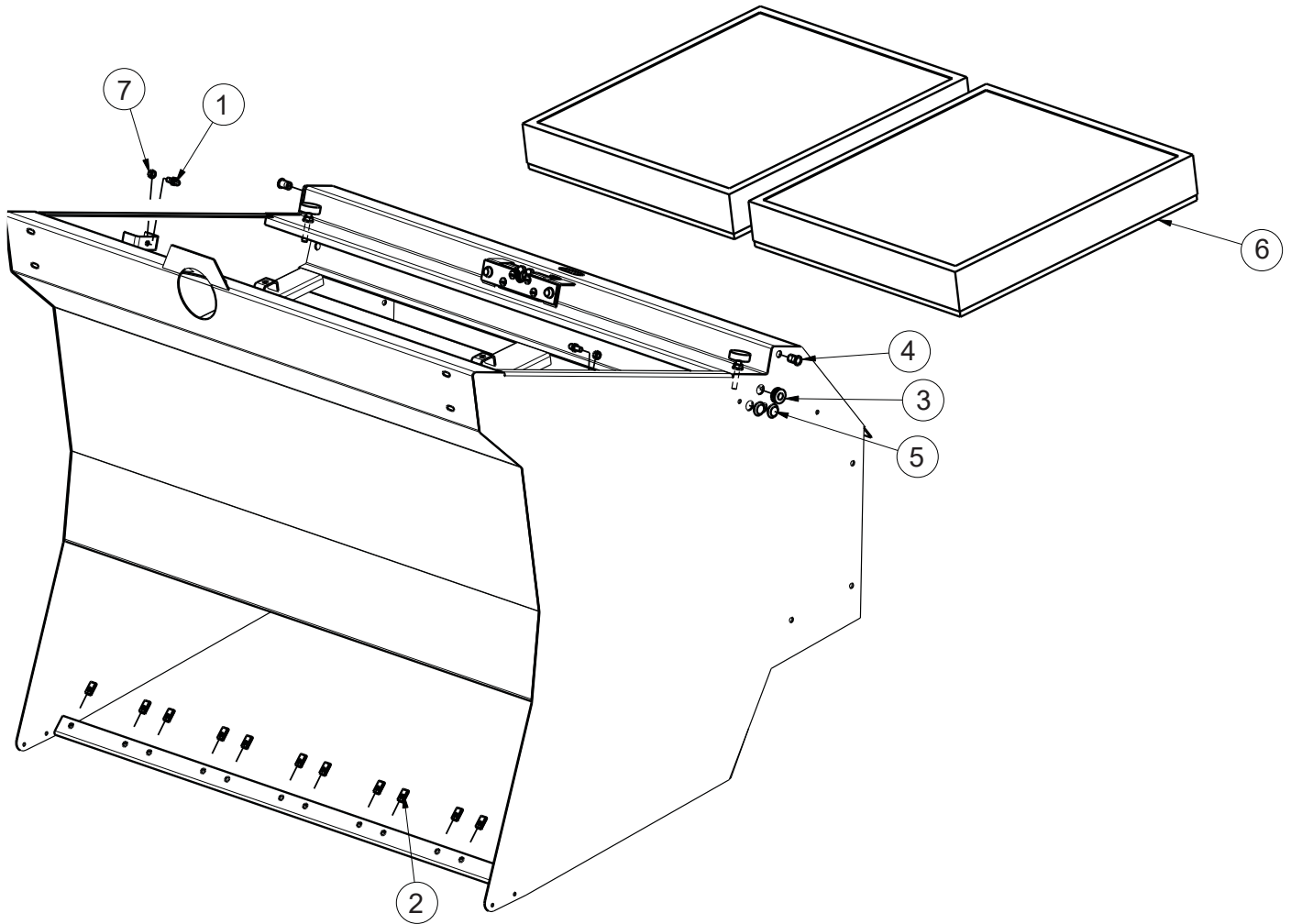
RTR SWITCH DETAIL - HOPPER			
ITEM	PART NO.	REQ'D	DESCRIPTION
1	3336963	1	TIE-WIRE BLACK 8.00 IN.
2	3311564	1	GROMMET-RUBBER, 1/2 ID
1	3302493	1	TIE-WIRE BLACK 8.00 IN.
2	3302472	1	MOUNT-WIRE TIE LOW PROFILE
3	3311564	1	GROMMET-RUBBER, 1/2 ID
4	3336778	1	BRACKET - UPPER SWITCH MOUNT
5	3336964P	1	HARNESS - HOPPER, ARMA
6	3400059	1	SCR-HH 1/4-20 X .50 ZINC
7	3400095	1	WASHER-FLAT #10
8	3400484	1	RIVET-AVDEL 3/16 X .602
9	711373	1	NUT-HEX JAM 1/4-20 ES

HOPPER LATCH SYSTEM



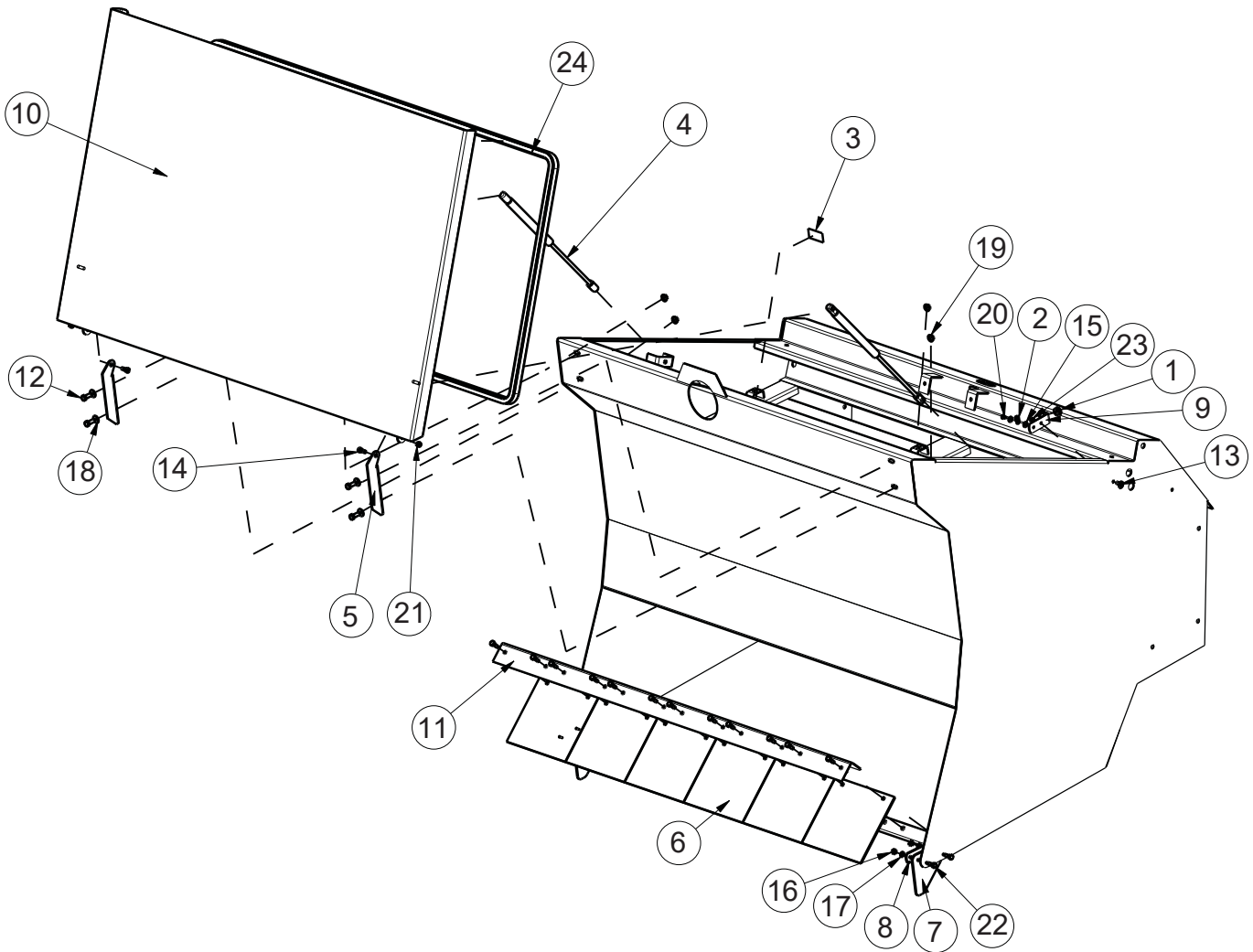
HOPPER LATCH SYSTEM			
ITEM	PART NO.	REQ'D	DESCRIPTION
1	3304624	2	BUMPER-RUBBER CAP
2	3307247	1	LATCH-ROTARY
3	3307468	1	BAR-FILTER LATCH, ZP, SW/A
4	3316986	1	HOPPER 10X ORANGE
5	3400036	2	BOLT-HH 5/16-18X3/4
6	3400059	4	SCR-THM 1/4-20 X 0.75 TRUSS SLOTTED SS
7	3400355	2	LEVELER-3/8-16 X 2 1/2
8	3400384	2	WASHER CONICAL SPRING 5/16
9	3400390	2	NUT-FLANGE LOCK 5/16-18
10	3400392	4	NUT-FLANGE LOCK 3/8-16

HOPPER FILTERS



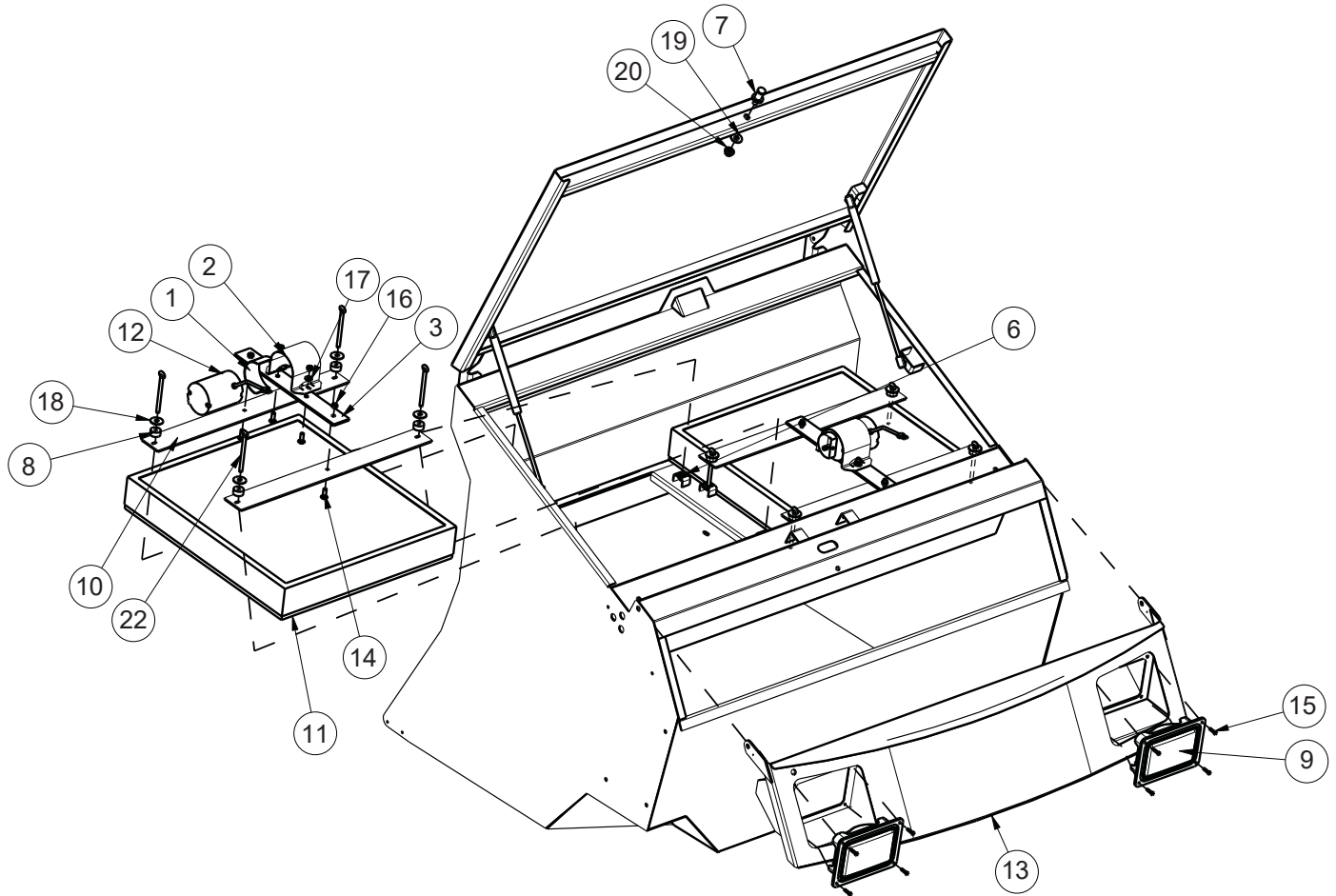
HOPPER FILTERS			
ITEM	PART NO.	REQ'D	DESCRIPTION
1	3300376	2	STUD-BALL 10MM
2	3301146	12	CLIPNUT-1/4-20 ZP
3	3311564	1	GROMMET-1/2 ID RUBBER
4	3322189	2	INSERT-3/8-16 UNC THREADED
5	3330356	2	PLUG-PLASTIC HOLE, 3/4,7 GA
6	3334164	2	FILTER-POLYESTER HOPPER
7	3400070	2	NUT-HEX 5/16-18 ZP
-	3336964P	1	HARNESS - HOPPER (NOT SHOWN)

HOPPER COVERS AND FLAP COMPONENTS



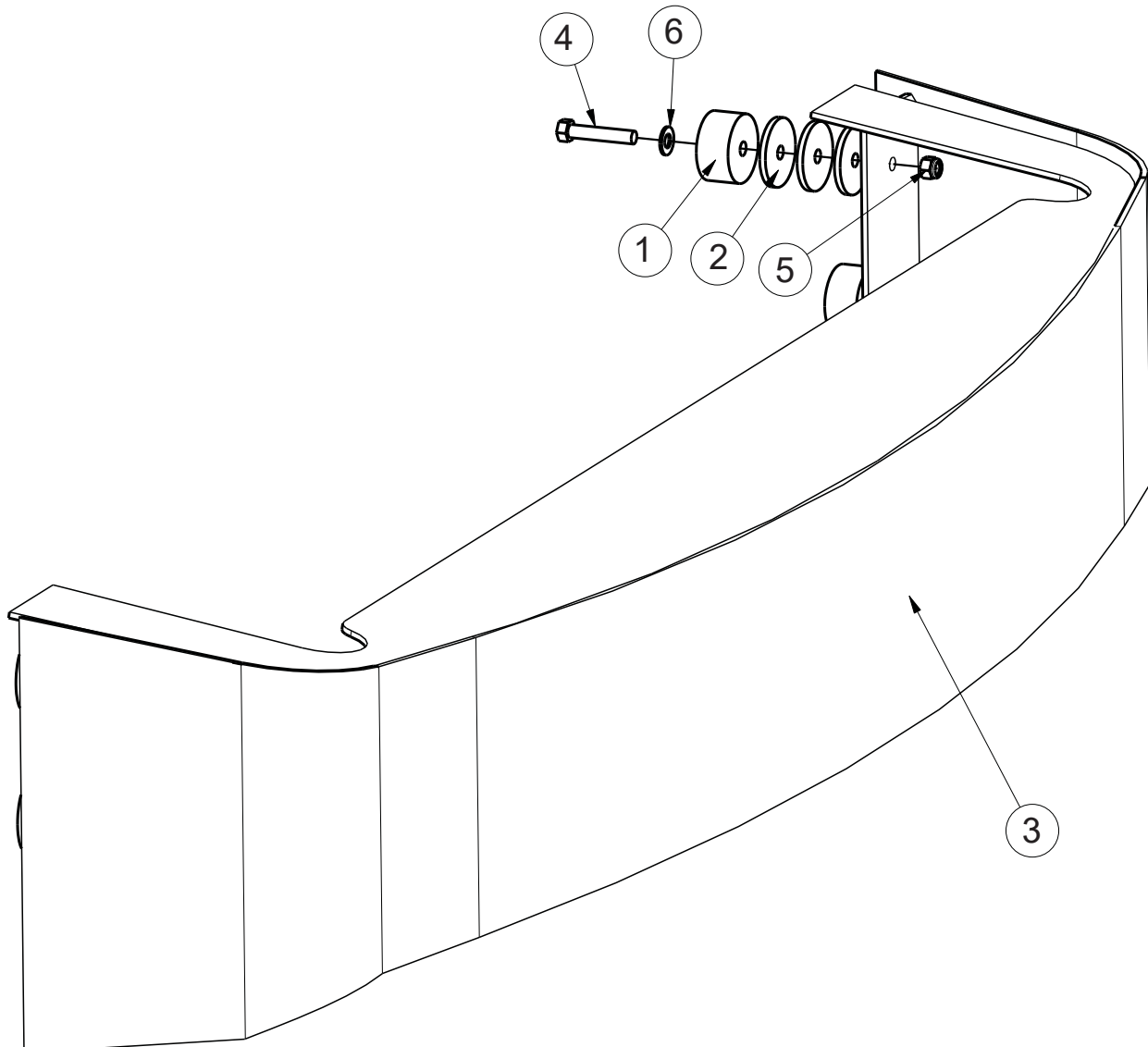
HOPPER COVERS AND FLAP COMPONENTS			
ITEM	PART NO.	REQ'D	DESCRIPTION
1	3301665	1	GROMMET-INSULATION 3/8ID X 3/4 OD
2	3302472	1	MOUNT-WIRE TIE LOW PROFILE
4	3305006	2	SPRING-GAS, 14.5", 100LB, 305006
5	3307469	2	HINGE-FILTER COVER
6	3307720	6	FLAP-HOPPER FRONT SW/A
7	3307842	2	FLAP-HOPPER SIDE SW/A
8	3307843	2	RETAINER-FLAP HOPPER SIDE ZP
9	3336778	1	BRACKET - UPPER SWITCH MOUNT
10	3350105	1	HOOD-HOPPER 10X ORANGE
11	3350119	1	RETAINER-HOPPER FLAP SW/10X
12	711228	4	SCR-HH 5/16-18 X .75 ZP GR 5
13	713002	1	SCR-HH 1/4-20 X .75 ZP 5
14	3400052	2	SCR-HSS 5/16 DIA X 0.25 BLK OX
15	711503	2	WASHER-FLAT #10 X .50 ZP
16	712665	4	NUT-HEX 1/4-20 SS
17	712758	4	WASHER-LOCK 1/4 SPLIT SS
18	3400384	4	WASHER CONICAL SPRING 5/16
19	3400390	4	NUT-FLANGE LOCK 5/16-18
20	3400484	1	RIVET-AVDEL 3/16 X .602
21	3401021	2	NUT-JAM 1/4-20 ZP
22	3400059	16	SCR-THMS 1/4-20 X .75 SS SLOTTED
23	3401021	1	NUT-JAM 1/4-20 ZP NYLOC
24	3500198	1	SEAL-TRIM 90 DEG. MOUNT
24	3500198	1	SEAL-TRIM 90 DEG. MOUNT

HOPPER DUMP DOOR AND FILTER SHAKER COMPONENTS



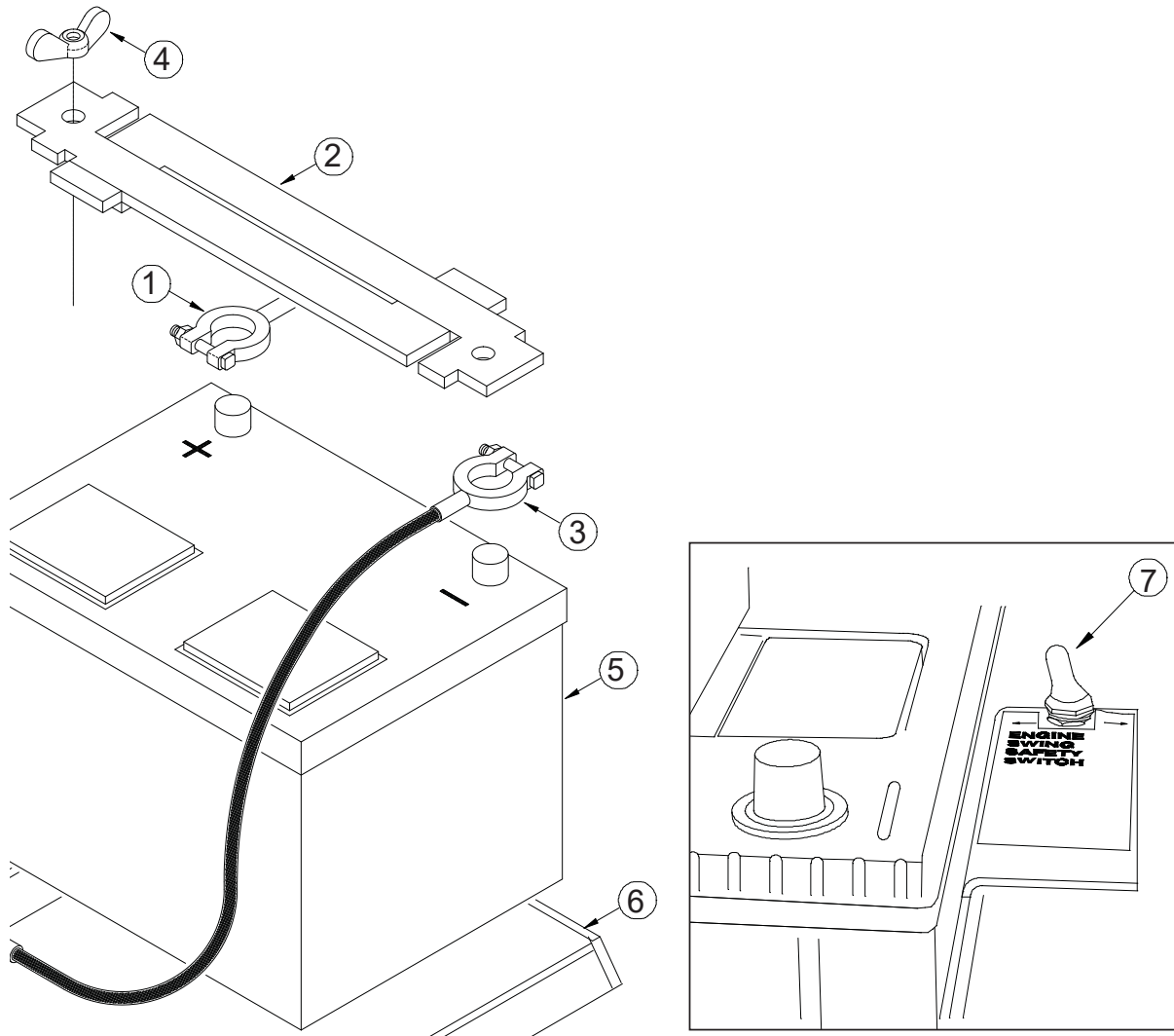
HOPPER DUMP DOOR AND FILTER SHAKER COMPONENTS			
ITEM	PART NO.	REQ'D	DESCRIPTION
1	3300904	2	MOUNT-NEOPRENE SHAKER MTR
2	750073	2	BRACKET SHAKER MOTOR
3	3300917	2	MOUNT-FILTER SHAKER PNTD
5	3305006	2	SPRING-GAS, 14.5", 100LB, 305006
6	832829	8	NUT-U TYPE 5/16-18 SPRING NUT
7	3307248	1	BOLT-STRIKER BROOM DOOR LATCH
8	3307850	8	ISOLATOR-RUBBER, .25IDx1ODx.50THK, SW/A
9	3315839	2	HEADLIGHT-FLUSH MOUNT HALOGEN
-	3315869	2	BULB-HALOGEN REPLACEMENT
10	3316989	4	BAR-FILTER RET SW/10X
11	3334164	2	FILTER-POLYESTER HOPPER
12	748149-1	2	ASSY, SHAKER MOTOR W/CONNECTOR
13	3350265	1	HOPPER DUMP LID ARMA ORANGE
14	711228	8	SCR-HH 5/16-18 X .75 ZP GR 5
15	3400044	8	SCR-HEX 10-32 X 3/4 ZP
16	3400070	8	NUT-HEX 5/16-18 ZP
17	3400088	4	WASHER 5/16 ID .688 OD X .065 THK
18	3400278	8	WASHER-FENDER 3/8 ZP
19	3400384	1	WASHER-CONICAL SPRING 5/16
20	3400394	1	NUT-FLANGE LOCK 7/16-14
22	3400962	8	SCR-THUMB, 5/16-18x4, ZP
-	3315330	1	HARNES-HEADLIGHTS LOW-DUMP (NOT SHOWN)
22	3400962	8	SCR-THUMB, 5/16-18x4, ZP
-	3315330	1	HARNES-HEADLIGHTS LOW-DUMP (NOT SHOWN)

FRONT BUMPER ASSEMBLY



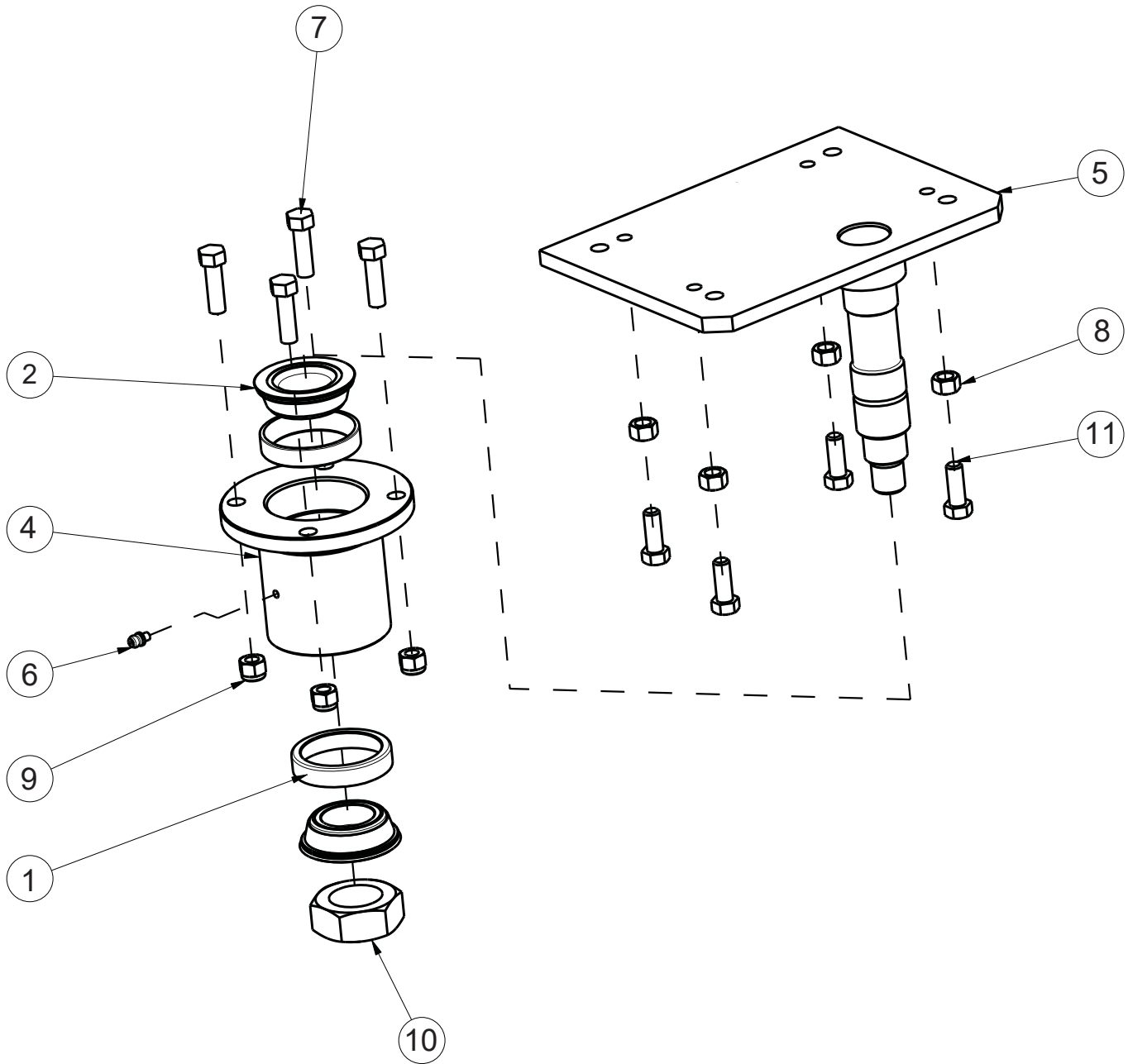
FRONT BUMPER ASSEMBLY			
ITEM	PART NO.	REQ'D	DESCRIPTION
1	3300338	4	BUMPER-RUBBER
2	3307818	12	SPACER-SHOCK DISK PLTD
3	3350183	1	FRONT BUMPER 10X
4	711247	4	SCR-HH 3/8-16 X 2.00 ZP GR 5
5	711380	4	NUT-NYLOC 3/8-16 ZP
6	3400087	4	WASHER 3/8 ID .81 OD X .065 THK
-	3334591	1	BUMPER SUB (INCLUDES 1-6)

BATTERY COMPONENTS



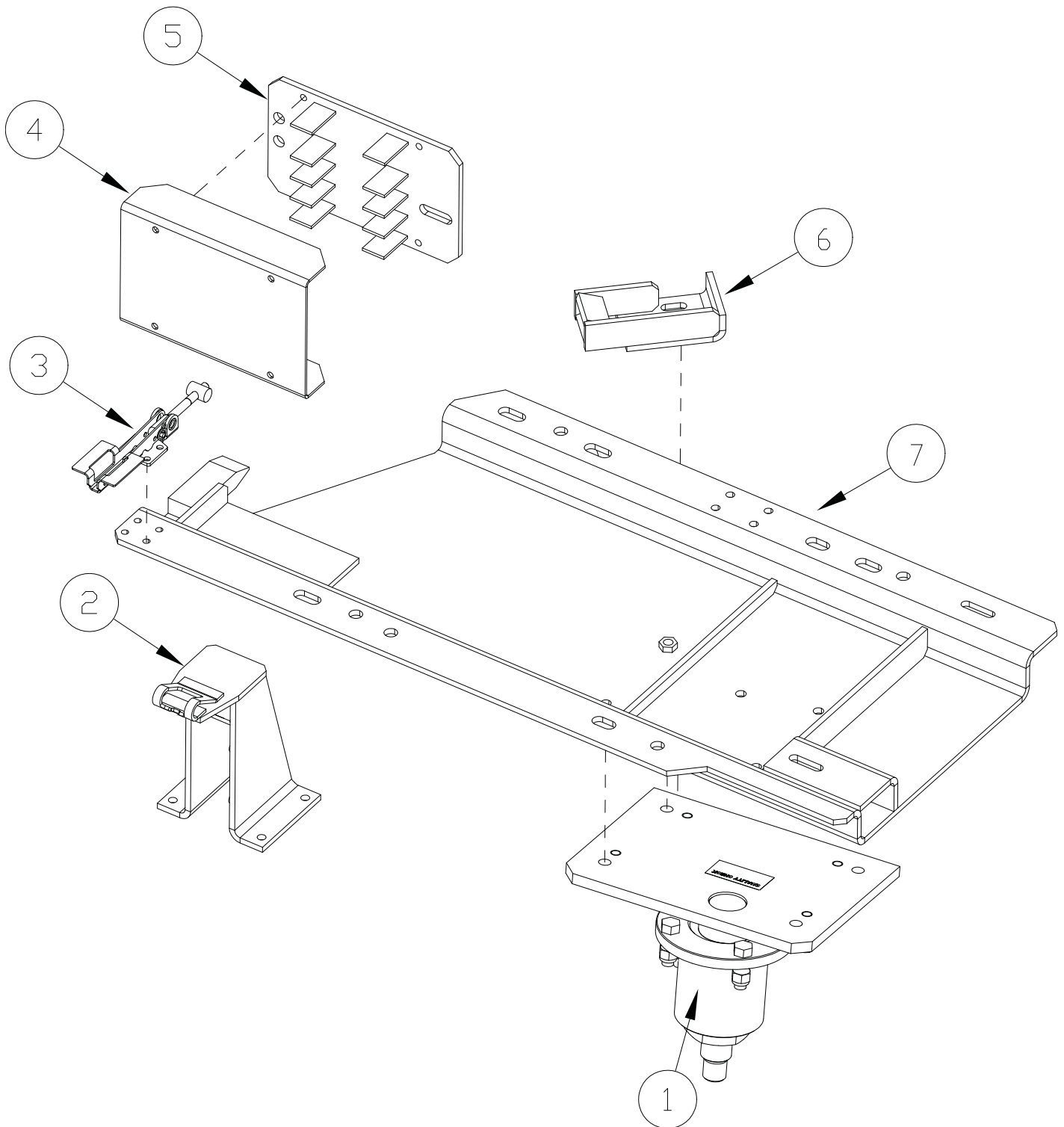
BATTERY COMPONENTS			
ITEM	PART NO.	REQ'D	DESCRIPTION
1	3307939	1	CABLE-BATTERY POSITIVE
2	3301076	1	HOLD DOWN-BATTERY 2-PIECE
3	3307634	1	CABLE BATTERY NEGATIVE
4	3400085	2	NUT-WING 1/4-20
5	3300440	1	BATTERY-GAS/LP/DIESEL, 12V, 650 CCA, 125 MIN. RESERVE
6	3321296	1	WELD-BATTERY BOX
7	3329812	1	SWITCH-TOGGLE SPDT

ENGINE PIVOT ASSY



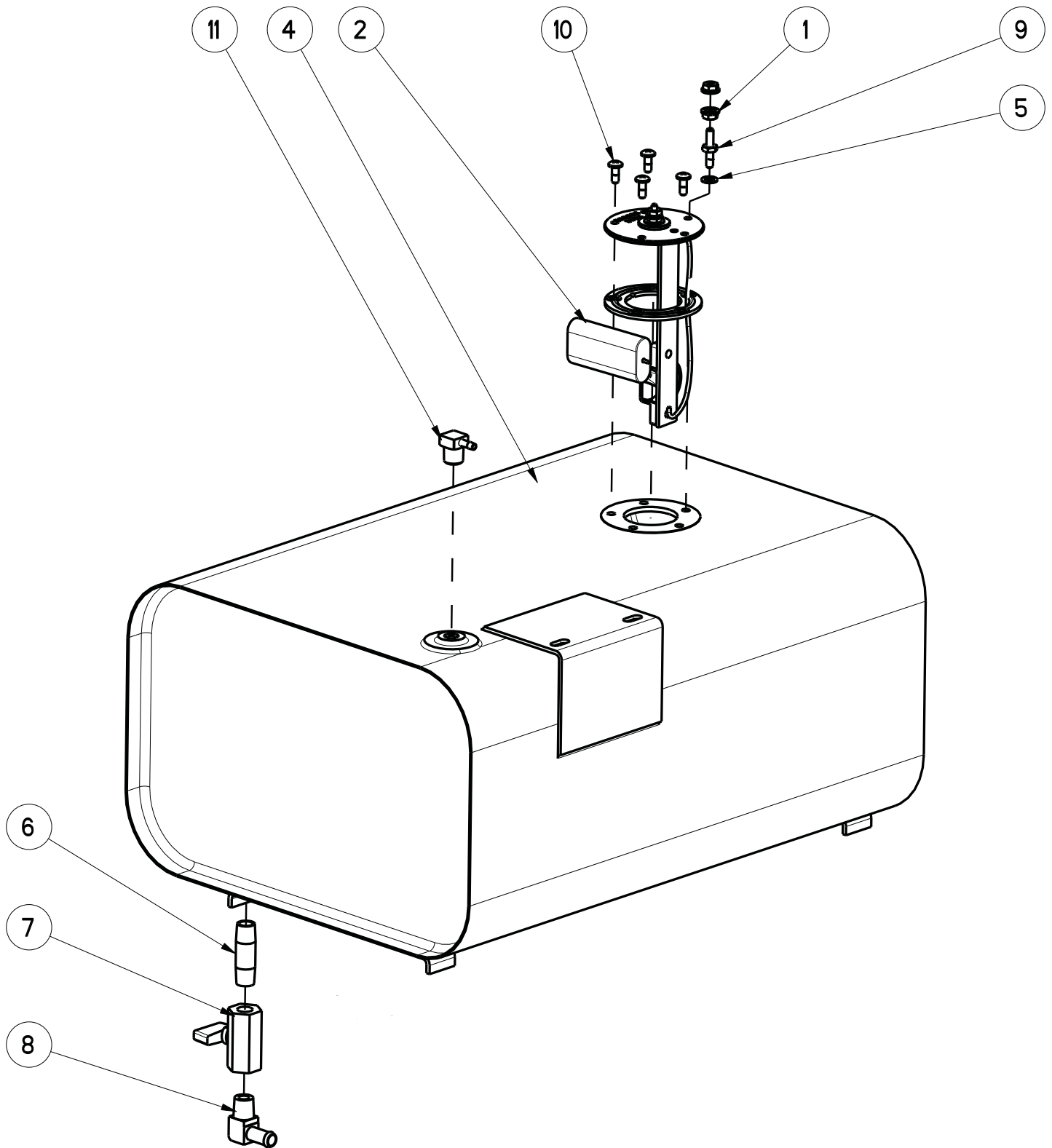
ENGINE PIVOT ASSY			
ITEM	PART NO.	REQ'D	DESCRIPTION
1	3300470	2	BEARING-TAPERED ROL CUP
2	3300471	2	BEARING-TAPERED ROLCONE W/SEAL
4	3307326	1	BRG MOUNT-ENGINE PIVOT
5	3334951	1	WELD-ENGINE PIVOT, ARMA
6	3400012	1	FTG-GREASE 3/16 DRIVE
7	711250	4	SCR-HH 3/8-16 X 1.25 ZP GR 5
8	3400067	4	NUT-HEX 3/8-24 ZP
9	711380	4	NUT-NYLOC 3/8-16 ZP
10	3400083	1	NUT-HEX 1 1/4-12 ES ZP
11	3400186	4	SCR-HEX 3/8-24 X 1.0 LG, ZP
-	3335281	1	ASSY-PIVOT SUB (INCLUDES 1-11)

ENGINE PAN, HYDRAULIC HOSE RETAINER & LATCH



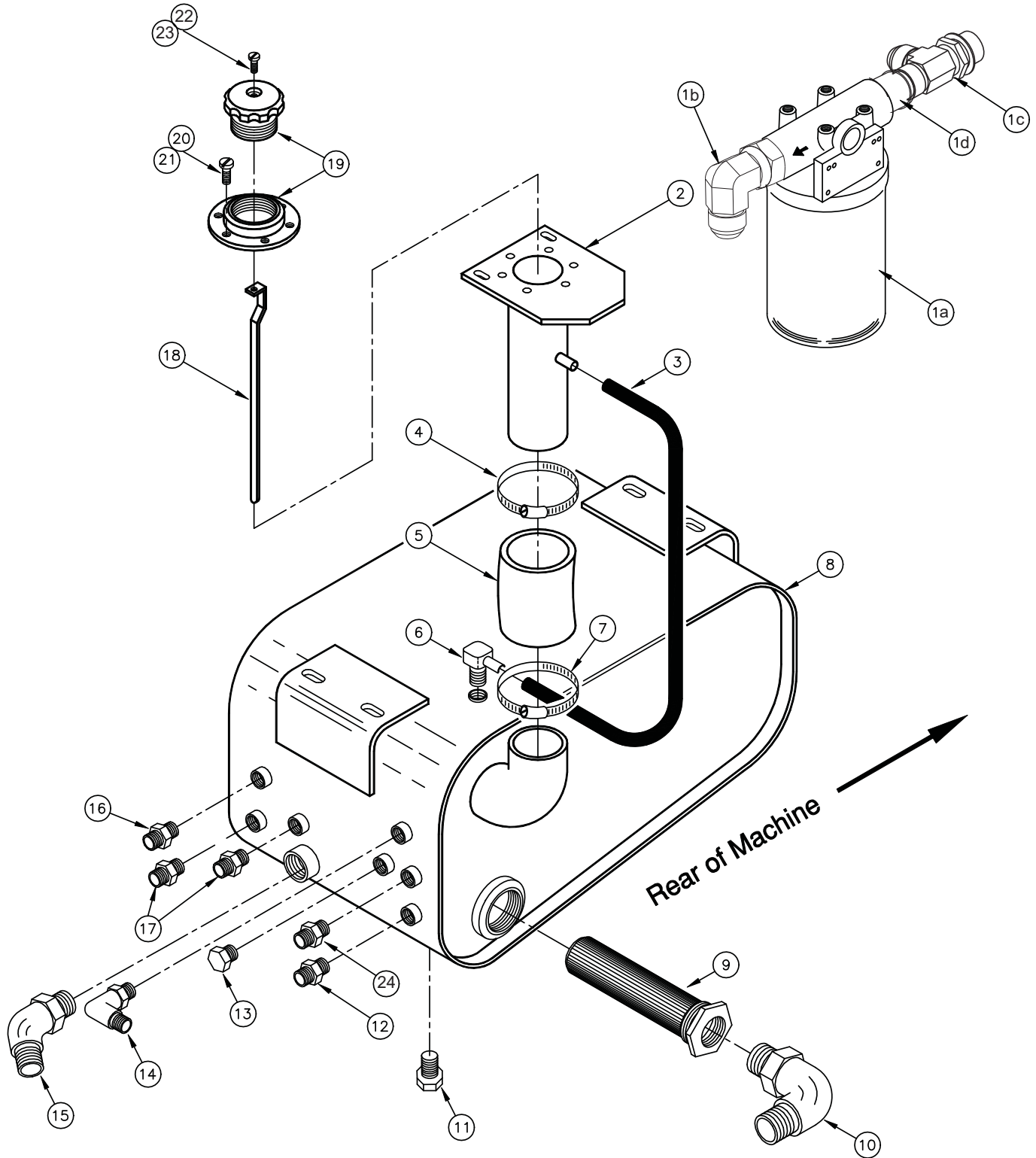
ENGINE PAN, HYDRAULIC HOSE RETAINER & LATCH			
ITEM	PART NO.	REQ'D	DESCRIPTION
1	3335281	1	ASSY-PIVOT SUB
2	3335208	1	ENG CATCH OUTER, ARMA
3	3337544	1	LATCH - ENGINE SWING
4	3333303	1	COVER-HOSE RETAINER SHORT PNTD
5	3333302	1	HOSE RETAINER SW/A
6	3335183	1	INNER ENG CATCH, ARMA
7	3334994M	1	ENGINE PAN, 9X,10X,1900,AM9D - V1505 KUBOTA

FUEL TANK GASOLINE AND DIESEL



FUEL TANK GASOLINE AND DIESEL			
ITEM	PART NO.	REQ'D	DESCRIPTION
1	711427	2	NUT-FLANGED 10-32
2	3300388	1	SENDER - FUEL W/ CORK GASKET
4	3307575	1	ARMA - FUEL TANK
5	3337019	1	SEAL - #10 BONDED NITRILE WASHER
6	3400498	1	FTG-NIPPLE 1/4 MPT
7	3400499	1	VALVE-MINATURE 1/4 FPT BALL
8	3400793	1	FTG-90 DEG 3/8 BARB TO 1/4 NPT
9	3401579	1	SCR - HEX STANDOFF, 2X 10-32X.50 LG
10	3401636	4	SCR - PAN, 10-32 X .50, BUNA O-RING SS
11	3402022	1	FTG-90 1/4 MPT X 1/4 HOSE BARB
--	3307066	1	FUEL TANK SUB (INCLUDES 1-11)

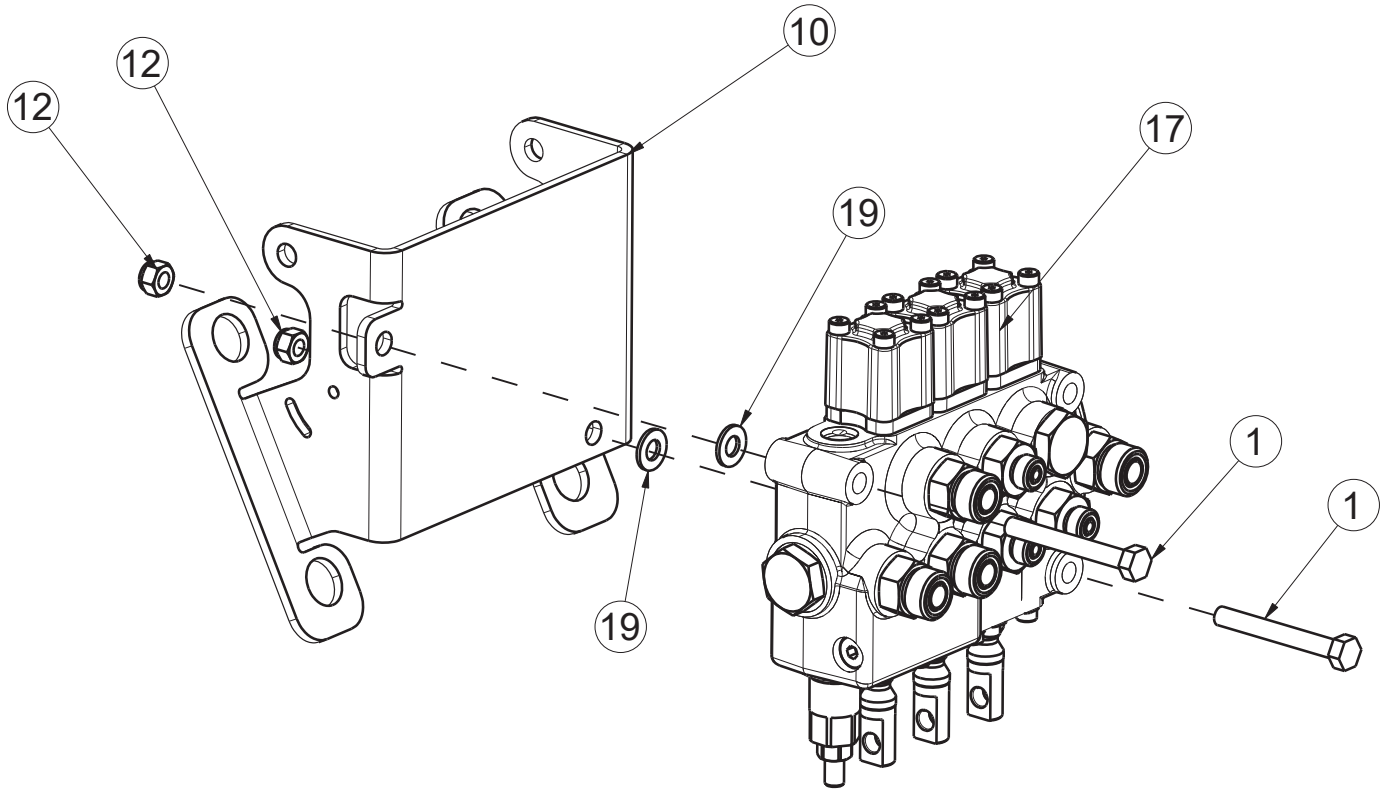
HYDRAULIC RESERVOIR ASSEMBLY



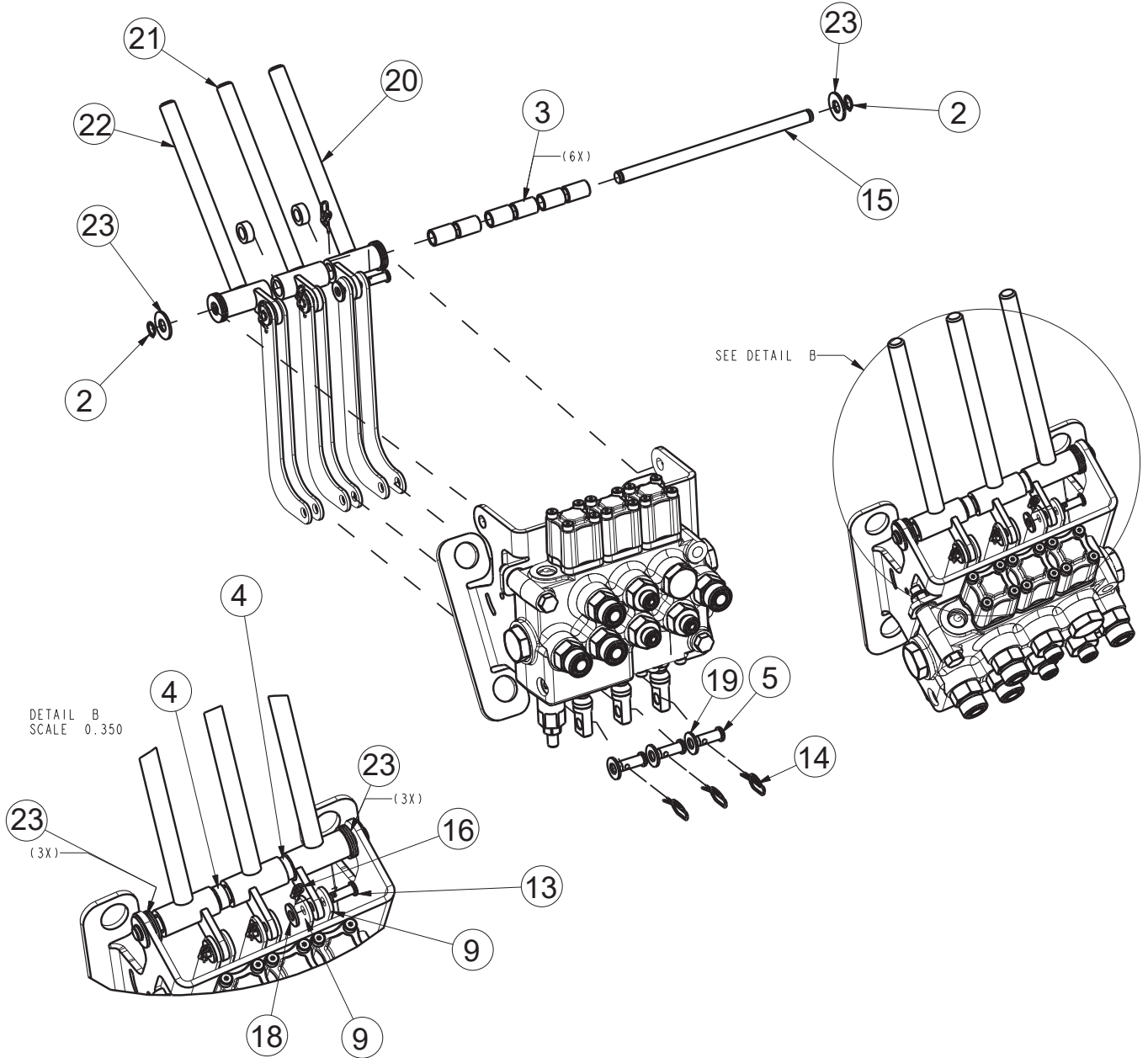
Some items shown larger for clarity.

HYDRAULIC RESERVOIR ASSEMBLY			
ITEM	PART NO.	REQ'D	DESCRIPTION
1	3307078	1	ASSY- HYDRAULIC FILT
1a	3300358	1	ASSY-HYDRAULIC FILTER
1b	675537	1	FTG-STR THD ELBOW -8 ORFS TO -12 SAE
1c	675526	1	FTG-SWIVEL NUT RUN TEE -8 ORFS TO -8 FEM
1d	675529	1	FTG-STR THD CONNECTOR -8 ORFS TO -12 S
2	3310072	1	HYD FILL TUBE ARMAS
3	3302703	1	HOSE-VACUUM LINE
4	3044112	1	CLAMP-HOSE, SS, 2.50 MAX WORM
5	3303577	1	HOSE-RUBBER, 2" ID x 8" LG
6	3307778	1	FTG-ELBOW 90 1/4 MPT X 1/8 HB BRASS
7	3044112	1	CLAMP-HOSE, SS, 2.50 MAX WORM
8	3335527	1	RESERVOIR-HYDRAULIC, 7.5 US GA
9	3343836	1	STRAINER-HYDRAULIC TM-14
10	675506	1	FTG-STR THD ELBOW -16 ORFS TO -20 SAE
11	3400164	1	FTG-PLUG 3/4-16 O RING
12	675521	1	FTG-STR THD CONNECTOR -6 ORFS TO -8 SA
13	3400453	1	FTG-PLUG 9/16-18 O-RING STEEL
14	675510	1	FTG-STR THD CONNECTOR -5 ORFS TO -4 SA
15	675504	1	FTG-45 DEG STR ELBOW -12 ORFS TO -16 SA
16	675519	1	FTG-STR THD CONNECTOR -6 ORFS TO -5 SA
17	675510	2	FTG-STR THD CONNECTOR -5 ORFS TO -4 SA
18	3307580	1	DIPSTICK-HYD RESEVOIR SW/A
19	3305576	1	ASSY-FILTER/BREATHER FLOW EZY
20	3400044	6	SCR-HH 10-32 X .75 ZP SERR FLANGE
21	3400172	6	NUT-JAM 10-32 ZP NYLOC
22	3400045	1	SCR-PHMS 8-32X0.62 ZP SLOT HEAD
23	3400082	1	NUT-NYLOC 8-32 ZP
24	675524	1	FTG-STR THD CONNECTOR -8 ORFS TO -8 SA
-	3342472	1	ASSY- HYDRAULIC FILL TUBE
-	3335773	1	ASSY- HYDRAULIC RESERVOIR SW/9X

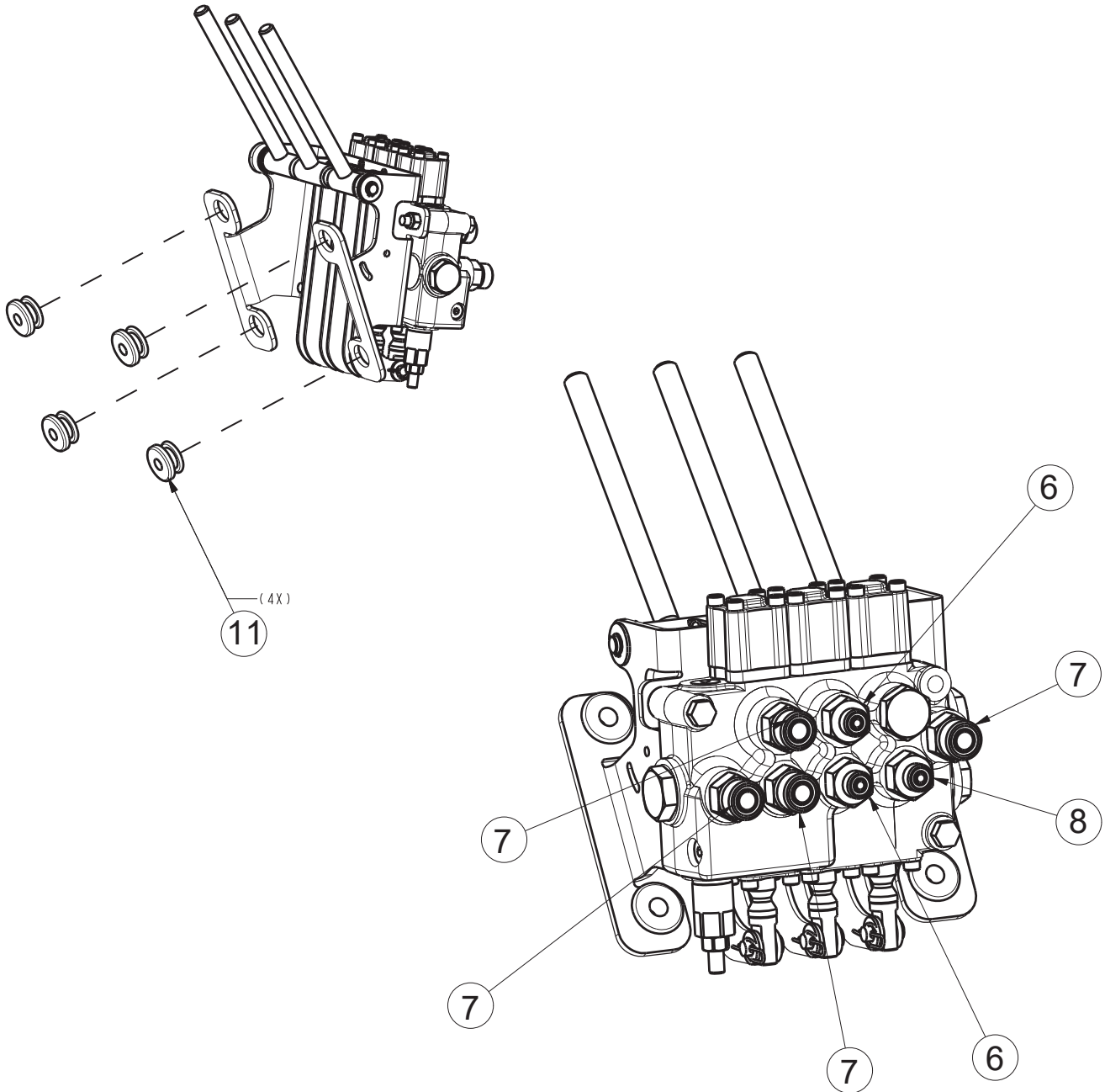
HYDRAULIC CONTROL VALVE ASSEMBLY (PAGE 1 OF 3)



HYDRAULIC CONTROL VALVE ASSEMBLY (PAGE 2 OF 3)

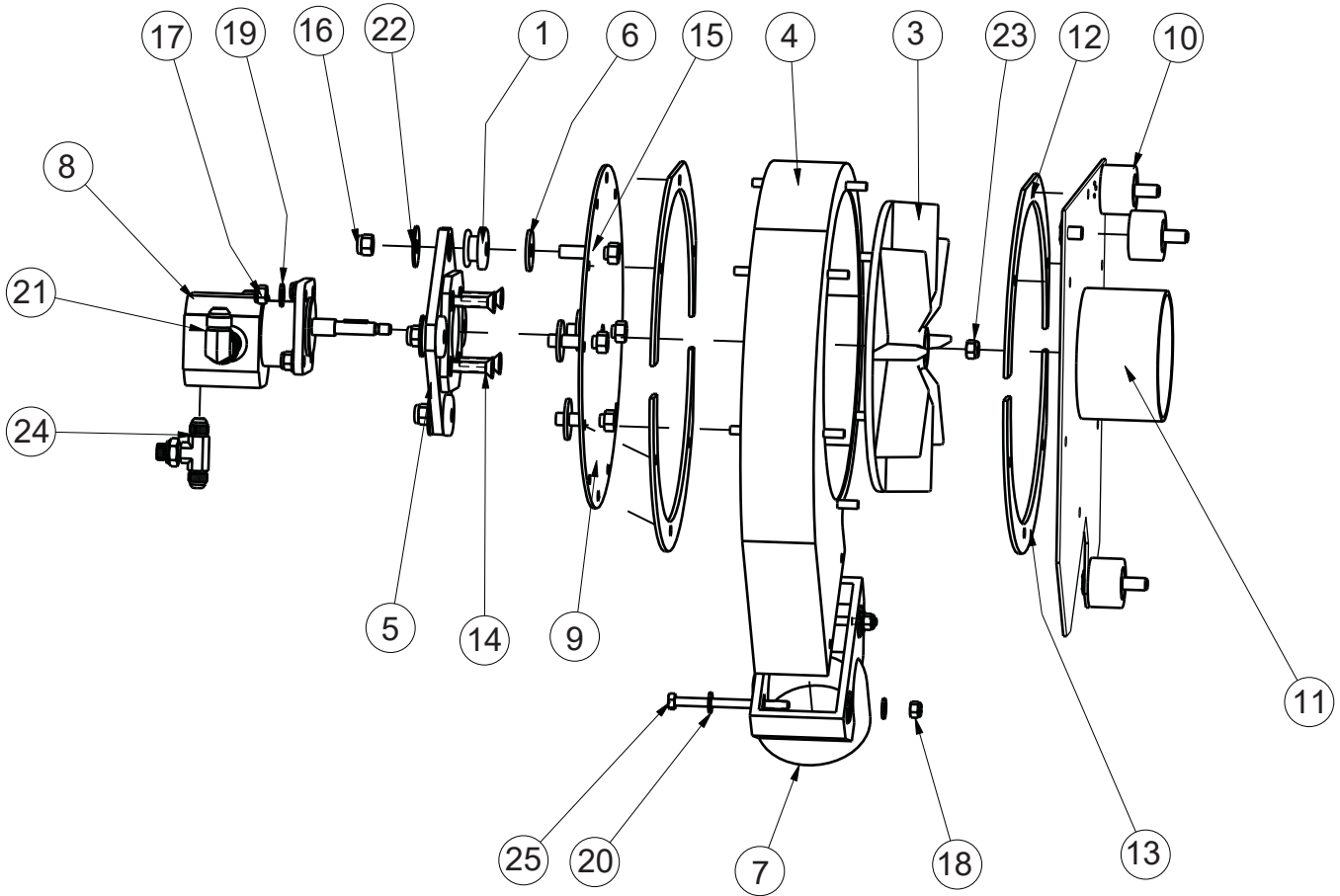


HYDRAULIC CONTROL VALVE ASSEMBLY (PAGE 3 OF 3)



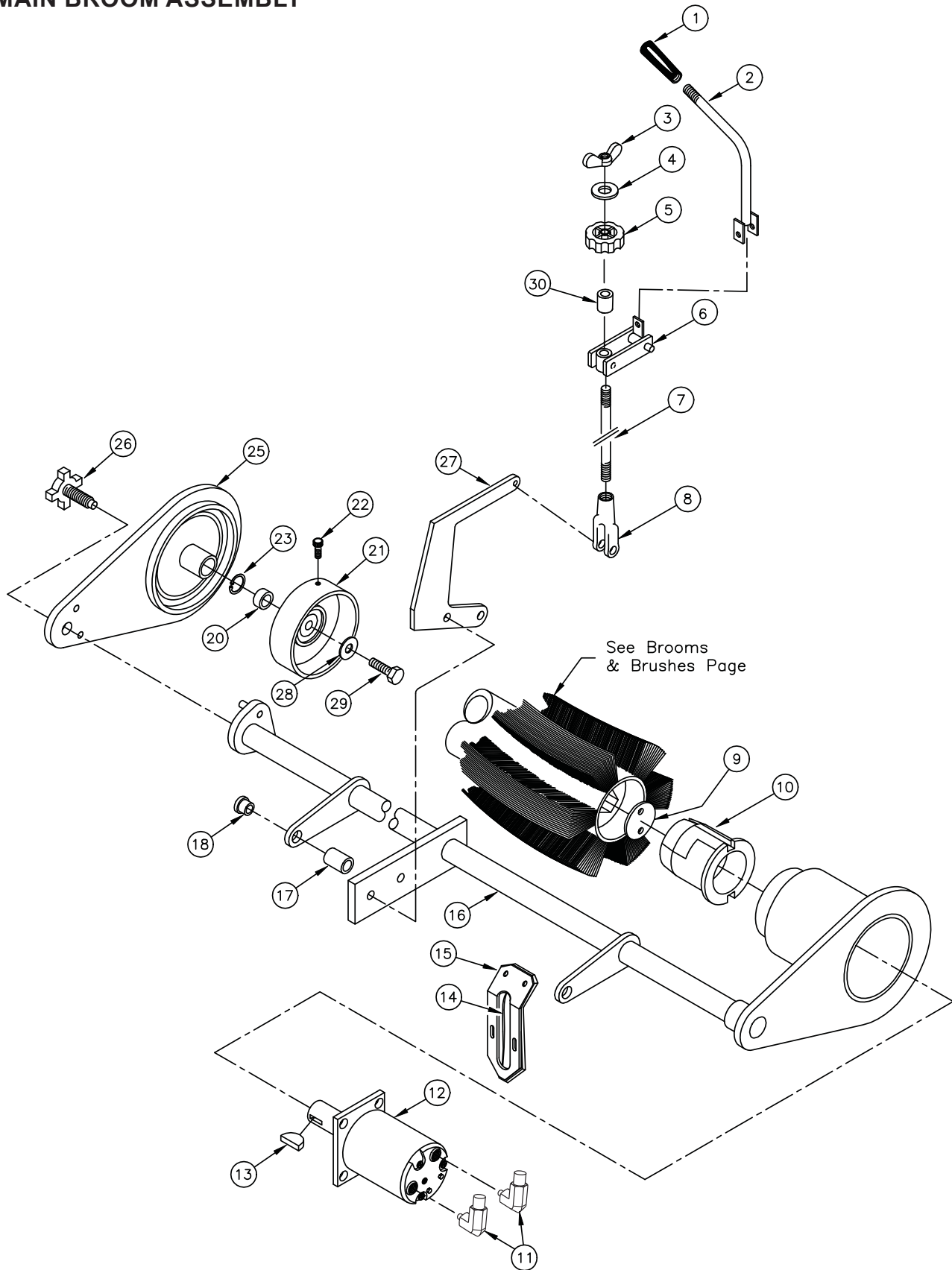
HYDRAULIC CONTROL VALVE ASSEMBLY - 3338602			
ITEM	PART NO.	REQ'D	DESCRIPTION
1	3400466	2	SCR-HH 5/16-18 X 2.50 ZP GR 5
2	711724	2	RET RING-EXT 3/8
3	3303996	6	BEARING-PLASTIC 1/2X3/8X.75 LG
4	690015	2	BUSHING, VALVE BODY, 3/8IDX5/8ODX1/4L
5	450034	3	PIN-CLEVIS 5/16 X .75 ZP
6	690006	2	FITTING, 4-8 F5OLO-S .043 ORIFICE
7	675524	4	FTG-STR THD CONNECTOR -8 ORFS TO -8 SA
8	675513	1	FTG-STR THD CONNECTOR -4 ORFS TO -8 SA
9	3338456P	6	LINK - HYD VALVE - P
10	3338455	1	MNT - HYD. SPOOL VALVE
11	3300465	4	ISOLATOR-RUBBER (.375IDx.81OD)
12	711374	2	NUT-NYLOC 5/16-18 ZP
13	3400425	3	PIN-CLEVIS 1/4 X 5/8 ZP
14	3400125	3	RING-RUE 3/8
15	3300884	1	ROD-PIVOT CONTROL VALVE PLTD
16	3400742	3	RING-RUE 1/4 ZP
17	3338213	1	VALVE-3 SPOOL SWEEPER(SEE NOTE)
18	3400089	3	WASHER-FLAT 1/4 ZP
19	3400088	5	WASHER-FLAT 5/16 X.688 X .065 ZP
20	3338459	1	WELD - HANDLE CONT VLV 1
21	3338458	1	WELD - HANDLE CONT VLV 2
22	3338603	1	WELD - HANDLE CONT VLV 3
23	711569	8	WASHER-FLAT .390 X .880 X .062 NYL

IMPELLER ASSEMBLY



IMPELLER ASSEMBLY			
ITEM	PART NO.	REQ'D	DESCRIPTION
1	3300465	4	MOUNT-ISO IMP MNT
3	3307003	1	BLADE-IMPELLER
4	3307004	1	SHROUD-IMPELLER
5	3307152	1	WELD-MOTOR MNT IMP
6	3307187	4	SPACER 1-IMPELLER PLTD SW/A
7	3315347	1	EXHAUST-IMPELLER
8	3316832	1	MOTOR-HYD IMP 0.323 CIR
-	3337986	1	KIT-HYDRAULIC IMP SEAL
9	3322121	1	MNT-IMPELLER MOTOR
10	3333915	3	ISOLATOR - RUBBER, 1.5 X 1 LG, 3/8-16 THREAD
11	3335192	1	WELD-IMPELLER MOUNT, ARMA
12	3335458	2	GASKET- TOP IMPELLER, ARMA
13	3335459	2	GASKET- BOTT IMPELLER, ARMA
14	3400016	4	SCREW-FLAT HEAD 5/16-18 X 1.25, SOC ZP
15	3400028	4	SCR-HEX 3/8 -16X1.50 ZP
16	711380	4	NUT-NYLOC 3/8-16 ZP
17	711374	4	NUT-NYLOC 5/16-18 ZP
18	711373	2	NUT-NYLOC 1/4-20 ZP
19	3400088	4	WASHER 5/16 ID .688 OD X .065 THK
20	3400089	4	WASHER 1/4 ID .63 OD X .065 THK
21	675523	2	FTG-STR THD ELBOW -8 ORFS TO -8 SAE
22	3400278	4	WASHER-FENDER 3/8 ZP
23	3400420	1	NUT-HEX 5/16-24 ES
24	675508	1	FTG-4R50X-S
25	3402008	2	SCR-HEX,1/4-20 x 3.50 ZP

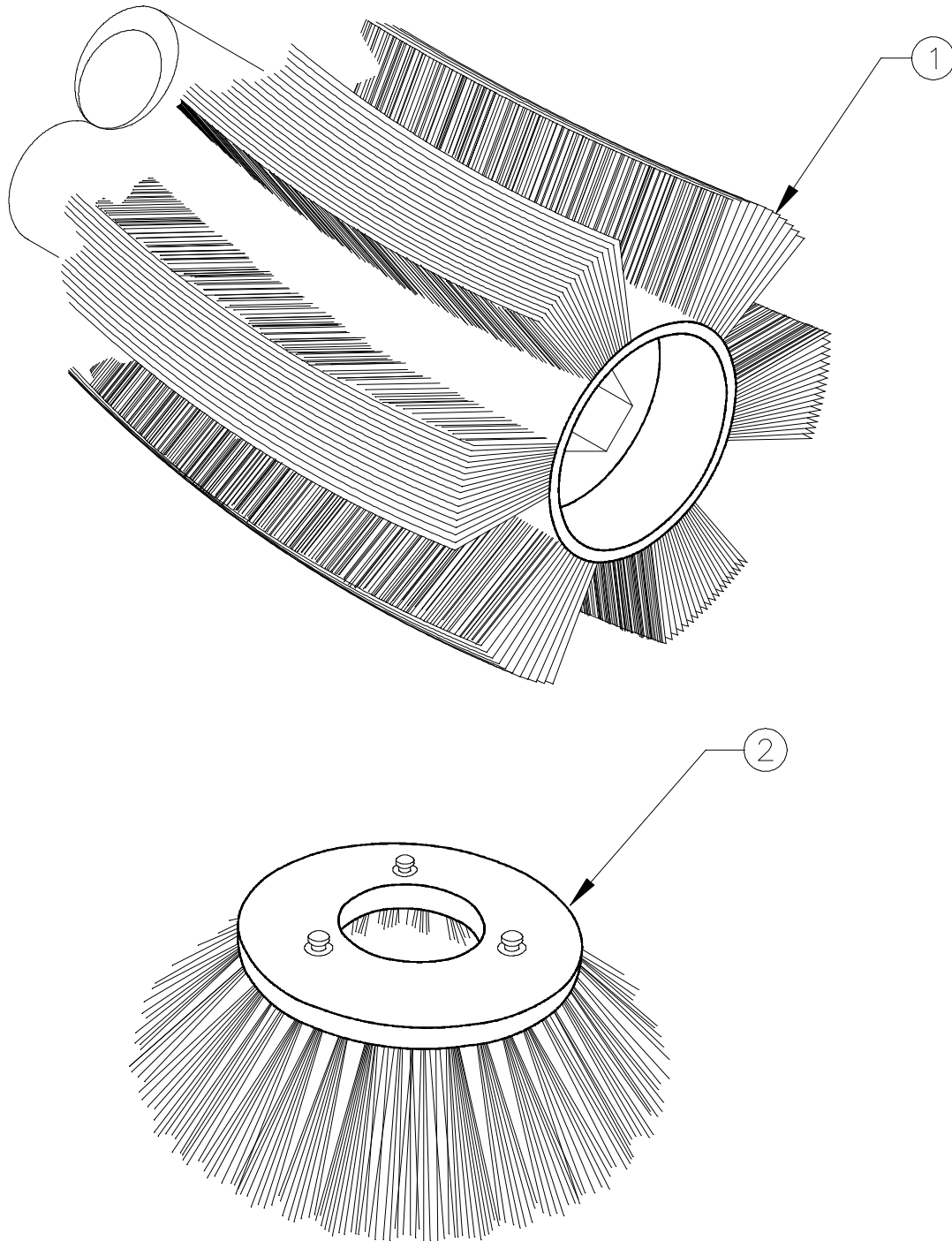
MAIN BROOM ASSEMBLY



PARTS BREAKDOWN

MAIN BROOM ASSEMBLY			
ITEM	PART NO.	REQ'D	DESCRIPTION
1	600264	1	HANDLE CONTURED
2	3338297	1	WELDMENT-MAIN BROOM LEVER
3	3400084	1	NUT-WING 1/2-13
4	3400091	1	WASHER-FENDER 1/2
5	3300352	1	KNOB-MAIN BROOM LIFT ADJUST
6	3335112P	1	WELDMENT-MAIN BROOM PIVOT LIFT
7	3334984	1	ROD-LIFT MAIN BROOM
8	3301447	1	CLEVIS-CABLECRAFT AC-218
9	3301285	1	RETAINER-MAIN BROOM DRIVER HUB
10	3301050P	1	HUB-MAIN BROOM DRIVE
11	675523	1	FTG-STR THD ELBOW -8 ORFS TO -8 SAE
12	3338661	1	MOTOR-HYD MAIN BROOM
-	3324169	1	SEAL KIT FOR MAIN BROOM MOTOR
13	3330338	1	KEY-SHAFT D-FOSS CB/MB/SC MOTORS
14	3307337	3'	GASKET-MAIN BROOM ARM
15	3307338	3'	RETAINER-GASKET MAIN BROOM ARM
16	3350101	1	MAIN BROOM MNT10X
17	3307181	1	SPACER-MAIN BROOM
18	3300432	2	BUSHING-FL-52-4
20	3305667	1	BEARING-MAIN BROOM
21	3305642	1	HUB-BROOM IDLER
22	3400047	1	SCR-SOCKET, 5/16-18x0.75
23	3305666	1	RING-RETAINING MAIN BROOM
25	3335220	1	MAIN BROOM PLT
26	3400748	1	KNOB-HAND 1/2-13x1-1/2 DOG POINT
27	3335196	1	PLATE-LIFT ARM, MAIN BROOM, ARMA
28	3400091	1	WASHER-FENDER 1/2
29	3400022	1	SCR-HEX,1/2-13X1.25
30	3333672	1	SPACER-MB LIFT ROD

SIDE BROOM & MAIN BROOM



SIDE BROOM & MAIN BROOM			
ITEM	PART NO.	REQ'D	DESCRIPTION
1	3321123	1	BROOM-MAIN 56" PROEX & WIRE (STANDARD)
	3315722	1	BROOM-HIGH DENSITY NYLON 56"
	3315724	1	BRM-MAIN NYLON 56"
	3315726	1	BRM-MAIN HERRINGBONE (PATROL) 56"
	3315812	1	BRM-MAIN HI DEN FIBER/WIRE 56"
	3315721	1	BRM-MAIN CRINKLE WIRE 56"
2	3339964	1	BROOM, SIDE 26" POLY (STANDARD)
	3339963	1	BROOM, SIDE 26" NYLON

Main Broom User's Guide

Proex & Wire - Slightly encrusted soilage & dusty conditions. High heat.

Nylon - General purpose broom with long life bristles.

Poly Proex - All purpose broom that stands up well on rough surfaces.

High Density Nylon - Highly effective for small particle soilage. Severe dust environments.

Crinkle Wire - Stiff bristles for compacted grime, oil, grease or mud. Fair to good broom life.

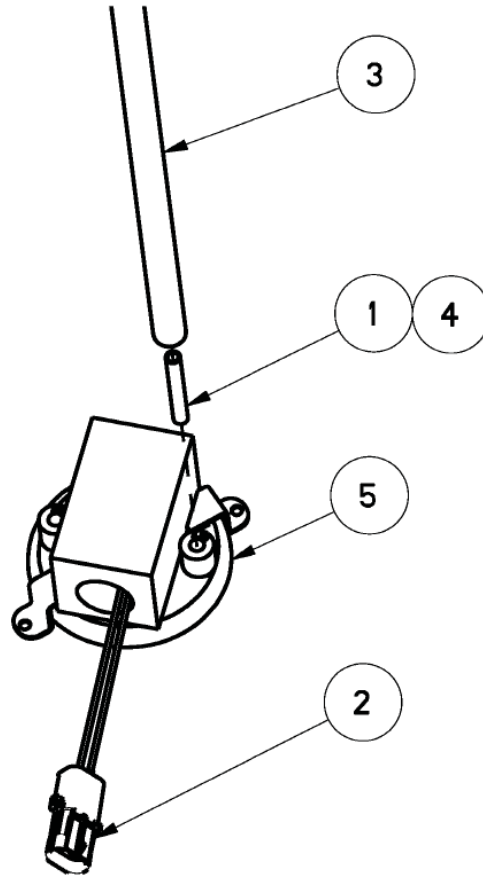
Natural Fiber & Wire - Good all around broom. Good for high heat applications.

Side Broom User's Guide

Poly - Stiff bristles for aggressive sweeping of mainly heavy litter. Not suited for high heat.

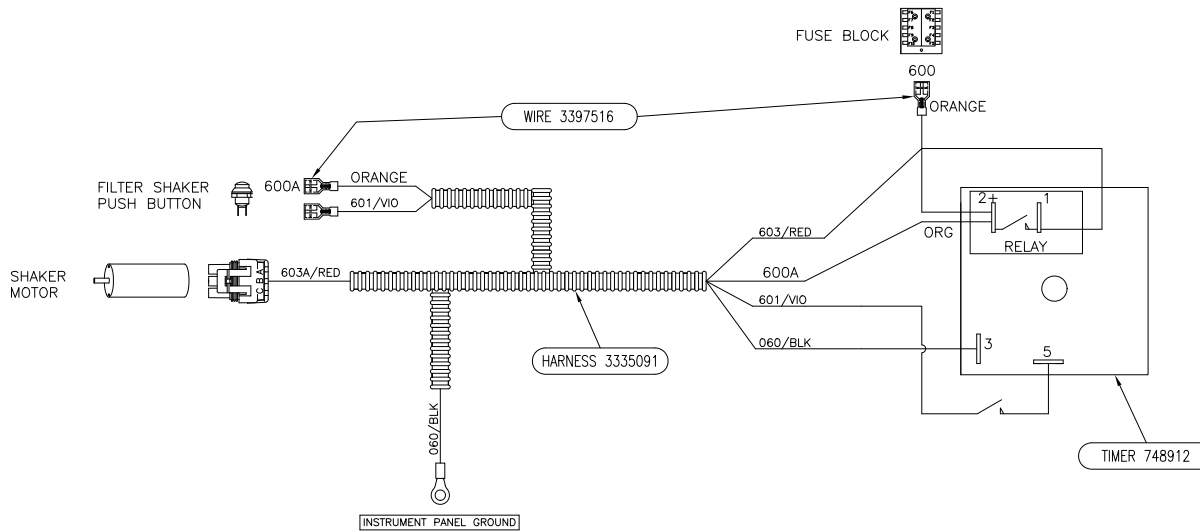
Nylon - Provides longest life. Recommended for tough sweeping jobs.

VACUUM SWITCH



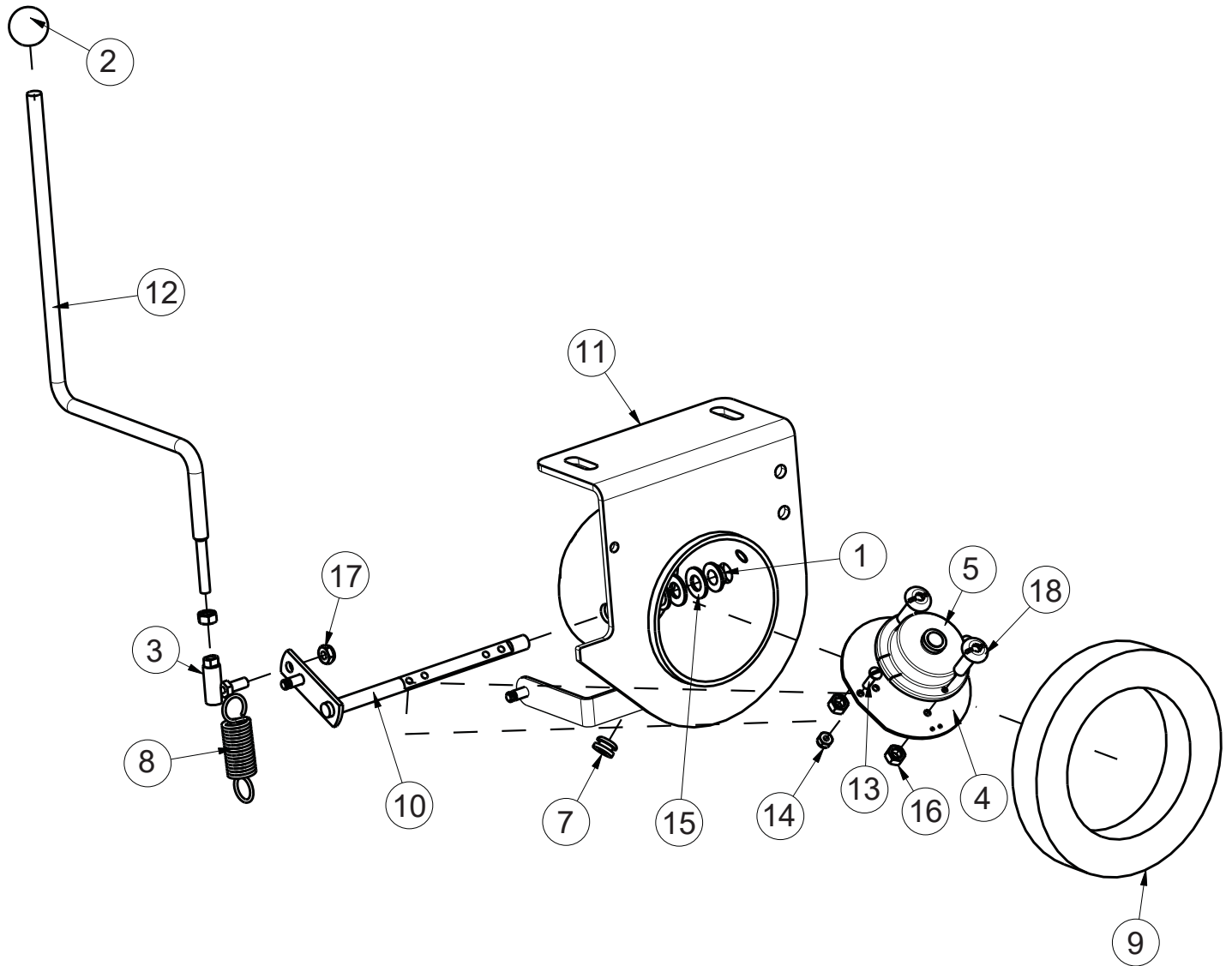
VACUUM SWITCH			
ITEM	PART NO.	REQ'D	DESCRIPTION
1	3500329	1	SLEEVE-HOSE NYLON 1"-1-1/8"
2	3310089	1	HARNESS-CLOGGED FILTER
3	3500104	1	HOSE-NEOPRENE 5/16 ID
4	3401122	0.1	SEALANT-THREADED PIPE, 565 PST
5	3303327	1	SWITCH-PRESSURE, SERIES
-	3400045	2	SCR-PAN,#8-32X0.62,SLT ZP
-	3400082	2	NUT-HEX #8-32 ES ZP

TIMER-FILTER SHAKER SEALED



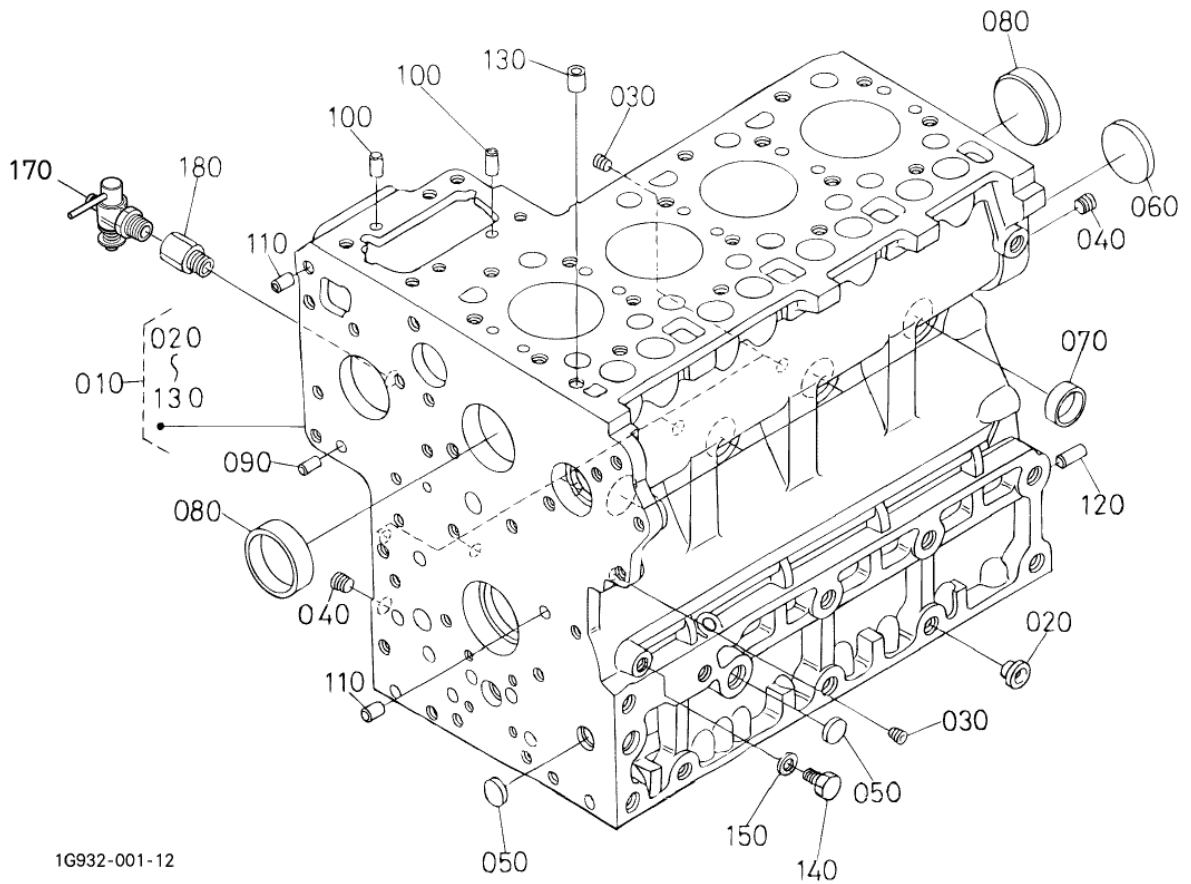
TIMER-FILTER SHAKER SEALED			
ITEM	PART NO.	REQ'D	DESCRIPTION
-	748502	1	ASSY, RELAY-TIMER, W/QC
-	3335091	1	HARNESS - MAIN, 10X ARMADILLO
-	3397516	1	WIRE, 16G ORANGE- TIMER JUMPER-10X

GASKET MOUNT ASSEMBLY



GASKET MOUNT ASSEMBLY			
ITEM	PART NO.	REQ'D	DESCRIPTION
1	3300414	2	BUSHING-FLNG 3/8 NYLON
2	3300563	1	KNOB-BALL 1" DIA #113 - BLACK
3	3301199	1	BALL JOINT 1/4-28 W/ DUST SHIELD
4	3301498	1	DAMPER-HOPPER SHUTOFF PLTD
5	748504-1	1	THERMOSTAT ASSEMBLY
7	3303729	1	GROMMET-.25ID X .56OD X .12GRV
8	3304160	1	SPRING-EXTENTION, 2.00 LG
9	3307005	1	GASKET-IMPELLER SW/A
10	3307155	1	ASSY - GASKET MNY BAFFLE
11	3307182	1	WELD-GASKET MNT
12	3350206	1	ROD-WET SWEEP BY-PASS
13	3400045	2	SCR-8-32 X 5/8 PAN HD SLT ZP
14	3400082	2	NUT-HEX #8-32 ES ZP
15	3400087	2	WASHER 3/8 ID .81 OD X .065 THK
16	3400180	3	NUT-HEX 1/4-28 ZP
17	3400373	1	NUT-HEX 1/4-28-ES-ZP
18	3400428	2	SCREW- PAN, #6-32 X 1.0 , SLT ZP
-	3310099	1	HARNESS-FIRE IN HOPPER INDICATOR (NOT SHOWN)
-	3317148	1	HARNESS-FIRE IN HOPPER INDICATOR (NOT SHOWN)

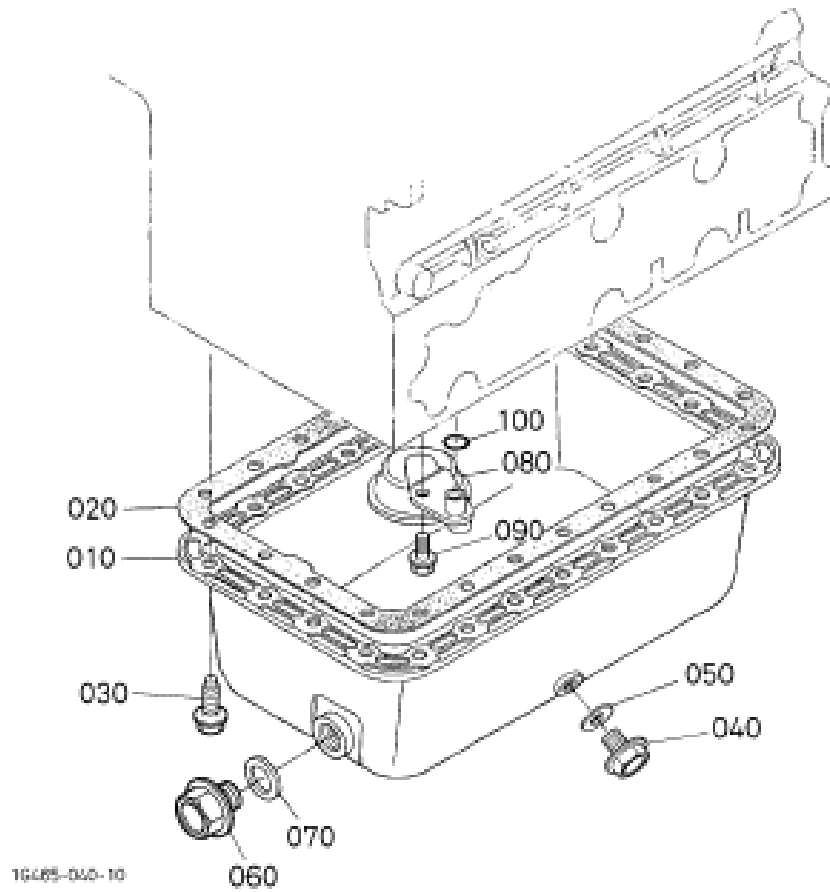
2203 KUBOTA ENGINE BLOCK ASSY



1G932-001-12

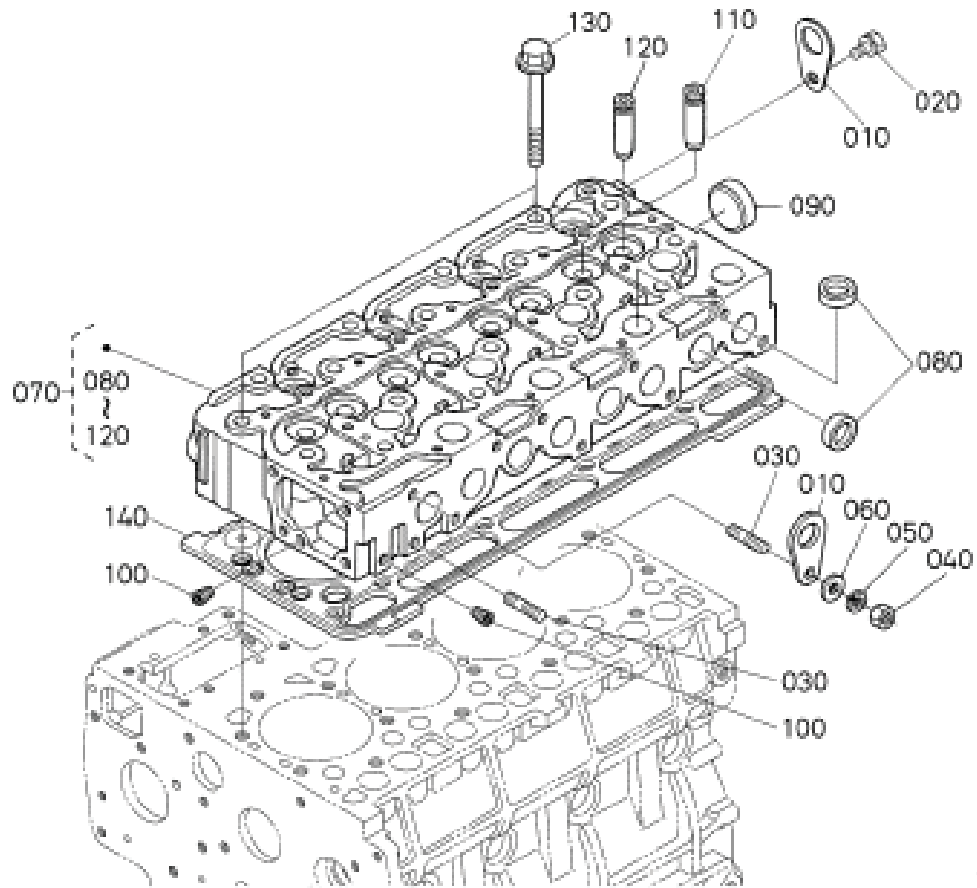
2203 KUBOTA ENGINE BLOCK ASSY			
ITEM	PART NO.	REQ'D	DESCRIPTION
010	3338322	1	COMP.CRANKCASE
020	3331581	2	PLUG-260
030	3331556	6	PLUG-20
040	3331557	2	PLUG-030
050	3331558	3	PLUG-040
060	3338323	1	PLUG,EXPANSION
070	3331560	6	CAP, SEALING -060
080	3331561	2	CAP, SEALING-070
090	3331562	2	PIN, STRAIGHT-080
100	3331563	3	PIN, STRAIGHT-090
110	3331564	2	PIN, STRAIGHT-100
120	3331565	1	PIN, STRAIGHT-110
130	3331566	1	PIN, PIPE-120
140	3338324	1	PLUG
150	3331569	1	GASKET-150
170	3331567	1	COCK, DRAIN-130
180	3331579	1	JOINT, DRAIN COCK-240

2203 KUBOTA ENGINE OIL PAN



2203 KUBOTA ENGINE OIL PAN			
ITEM	PART NO.	REQ'D	DESCRIPTION
010	3303922	1	PAN-OIL KUBOTA (SP)
020	3338325	1	GASKET-OIL PAN
030	3338326	24	BOLT-FLANGE
040	3338327	1	PLUG-DRAIN
050	3338328	1	GASKET-OIL PAN
060	3331591	1	PLUG, DRAIN-090
070	3305252	1	WASHER-KUBOTA OIL DRAIN FTG
080	3331588	1	FILTER, OIL-060
090	3338329	1	BOLT-FLANGE
100	3338330	1	O-RING

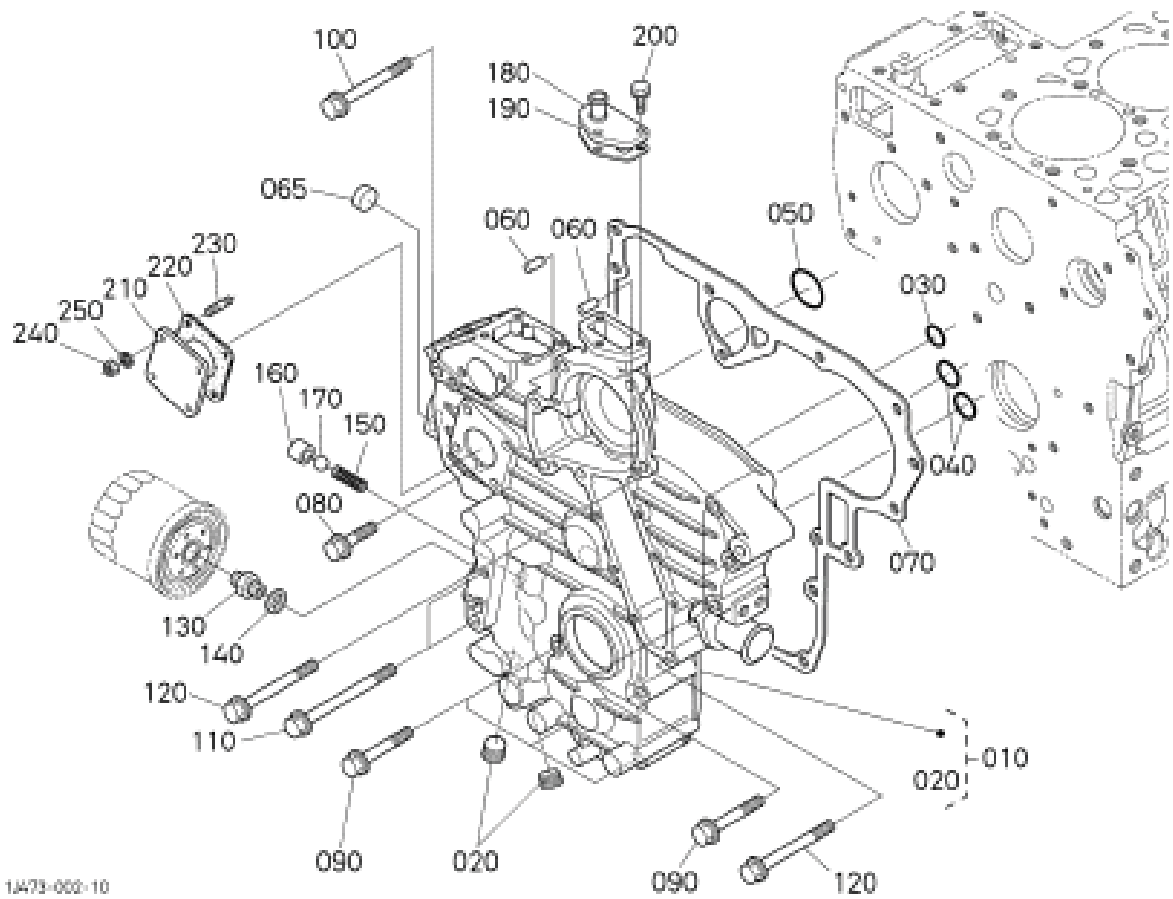
2203 KUBOTA ENGINE CYLINDER HEAD



1/664-002-10

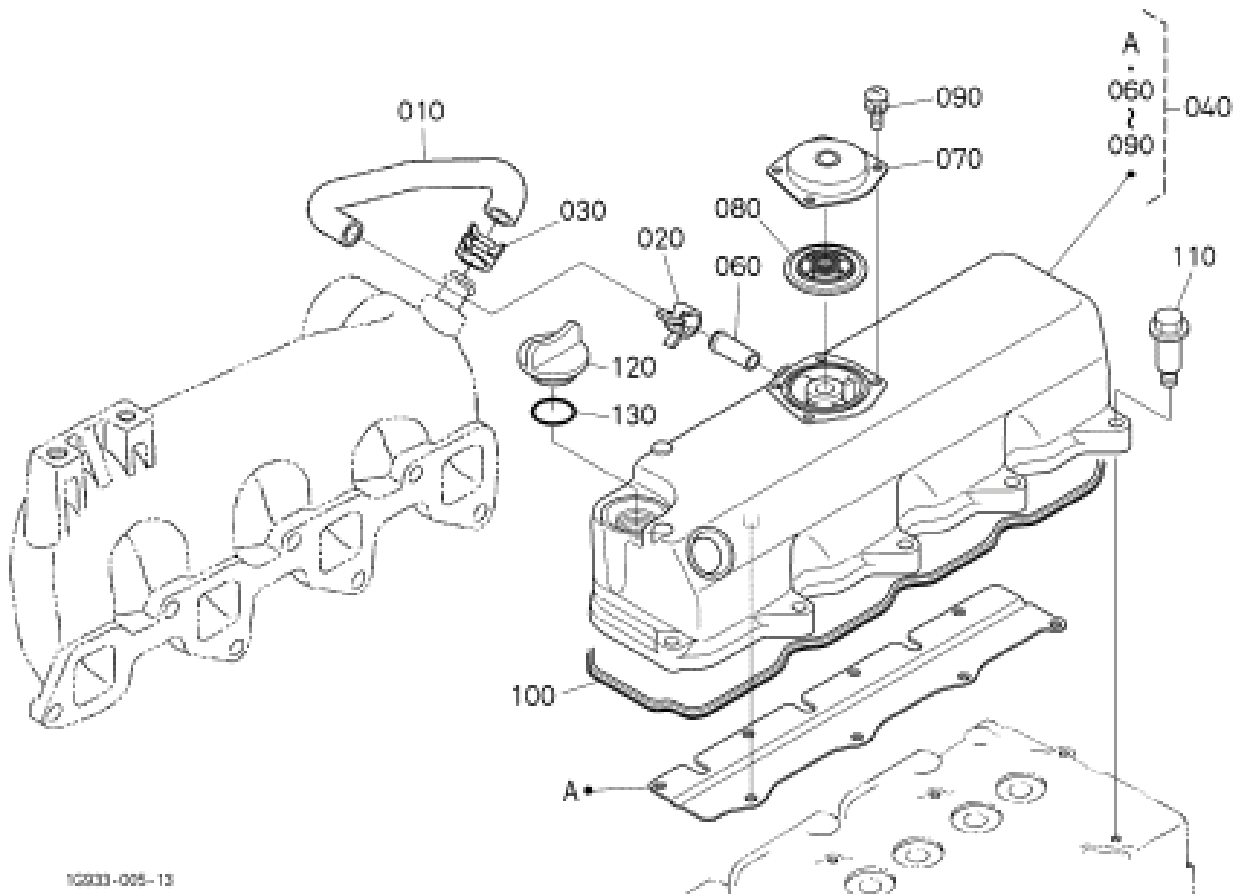
2203 KUBOTA ENGINE CYLINDER HEAD			
ITEM	PART NO.	REQ'D	DESCRIPTION
010	3331593	2	HOOK, ENGINE -010
020	3331595	1	BOLT-030
030	3331596	2	STUD-040
040	3331597	1	NUT-050
050	3338331	1	WASHER-SPRING
060	3331599	1	WASHER, PLAIN -070
070	3334291	1	CYL HEAD COMPLETE KBA 2203 EMIS COMP
080	3331603	12	CAP, SEALING-090
090	3331604	1	CAP, SEALING-100
100	3331605	2	PLUG-110
110	3331606	4	GUIDE, INLET VALVE -120
120	3338332	4	GUIDE-VALVE EXHAUST
130	3331608	18	BOLT, CYLINDER HEAD -140
140	3338333	1	GASKET-CYLINDER HEAD (1.15 MM)
140	3334292	1	GASKET-CYL HEAD KBA 2203 EMIS COMP (1.20 MM)

2203 KUBOTA ENGINE GEAR CASE



2203 KUBOTA ENGINE GEAR CASE			
ITEM	PART NO.	REQ'D	DESCRIPTION
010	3334299	1	GEAR CASE COMPLETE KBA 2203 EMIS COMP
020	--XXX--	-	NOT SOLD SEPARATELY
030	3338334	1	O-RING
040	3338335	2	O-RING
050	3338336	1	O-RING
060	3331564	2	PIN, STRAIGHT-100
065	3334300	1	PLUG-WELCH KBA 2203 EMIS COMP
070	3334301	1	GASKET-TIMING GEAR CASE KBA 2203 EMIS
080	3338337	1	BOLT-FLANGE
090	3338338	7	BOLT-FLANGE
100	3338339	1	BOLT-FLANGE
110	3338340	2	BOLT-FLANGE
120	3338341	4	BOLT-FLANGE
130	--XXX--	-	NOT SOLD SEPARATELY
140	--XXX--	-	NOT SOLD SEPARATELY
150	3331546	1	BURNER- ELBOW
160	3331647	1	SEAT, VALVE-200
170	3331648	1	BALL-210
180	3331649	1	FLANGE, WATER RETURN-220
190	3338342	1	GASKET-RETURN FLANGE
200	3331652	3	BOLT-240
210	3331621	1	COVER-340
220	3338343	1	GASKET-HOUR METER
230	3331624	4	STUD-360
240	3331620	4	NUT-330
250	3331575	4	WASHER, SPRING -200

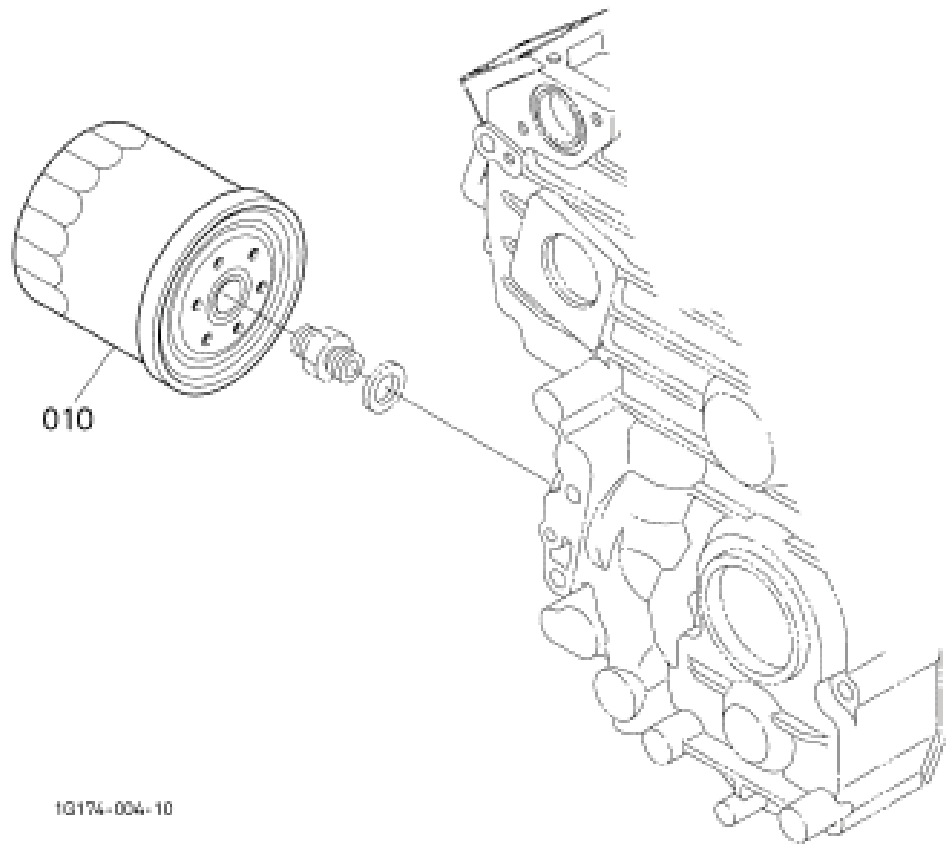
2203 KUBOTA ENGINE HEAD COVER



1G2003-005-13

2203 KUBOTA ENGINE HEAD COVER			
ITEM	PART NO.	REQ'D	DESCRIPTION
010	3334282	1	TUBE-BREATHER KBA 2203 EMIS COMP
020	3334283	1	CLAMP-BREATHER TUBE KBA 2203 EMIS COMP
030	3334284	1	CLAMP-BREATHER TUBE KBA 2203 EMIS COMP
040	3334285	1	COVER-CYL HEAD KBA 2203 EMIS COMP
060	3332027	1	PIPE WATER RETURN -020
070	3334287	1	COVER-BREATHER KBA 2203 EMIS COMP
080	3334288	1	BREATHER-VALVE COMPLETE KBA 2203 EMIS COMP
090	3338344	4	SCREW- WITH WASHER
100	3334289	1	GASKET-CYL HEAD COVER KBA 2203 EMIS COMP
110	3334290	10	BOLT-CYL HEAD COVER KBA 2203 EMIS COMP
120	PBK15852-33140	1	PLUG-OIL HEAD COVER
130	3338345	1	O-RING

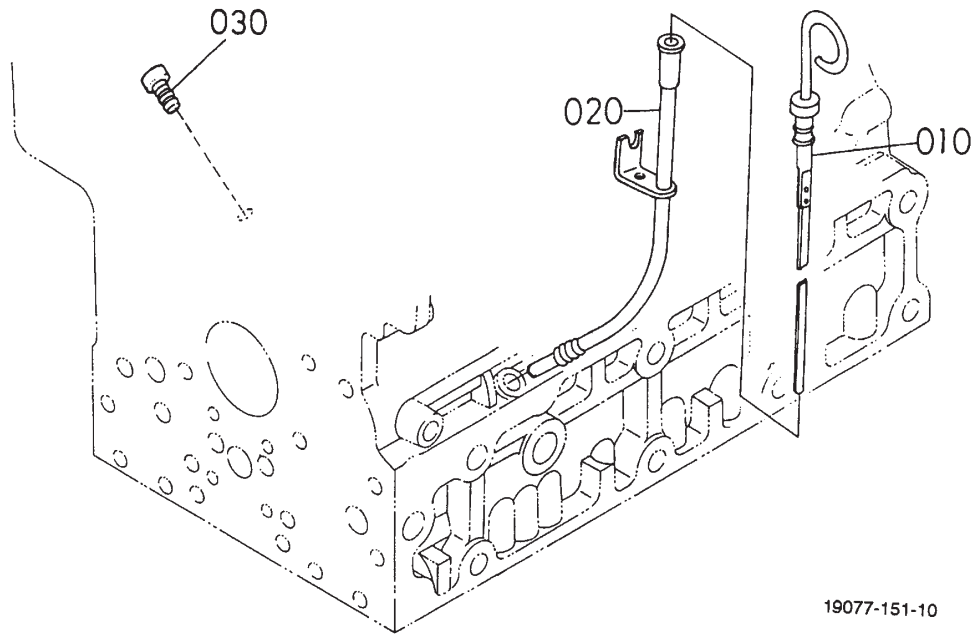
2203 KUBOTA ENGINE OIL FILTER



PARTS BREAKDOWN

2203 KUBOTA ENGINE OIL FILTER			
ITEM	PART NO.	REQ'D	DESCRIPTION
010	3331667	1	CARTRIDGE, OIL FILTER -010

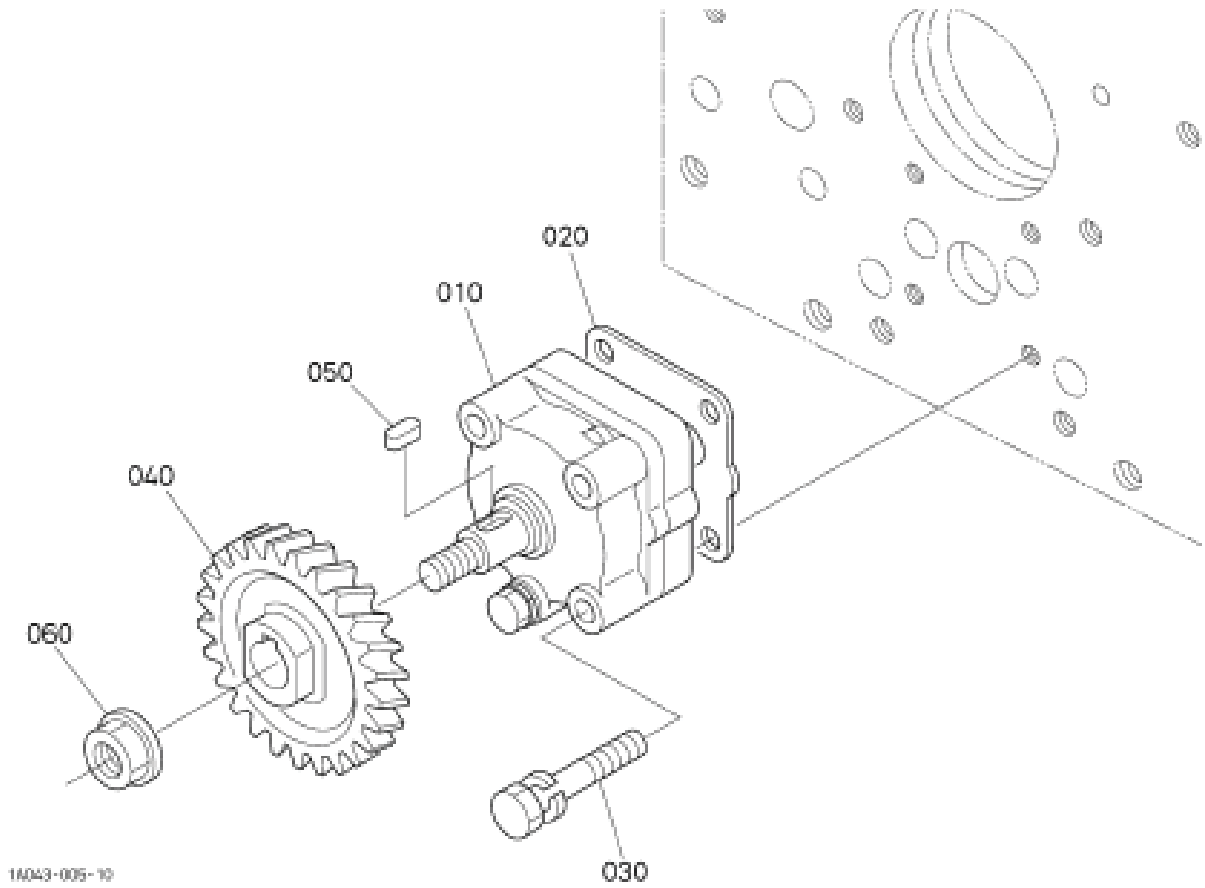
2203 KUBOTA ENGINE DIPSTICK AND GUIDE



19077-151-10

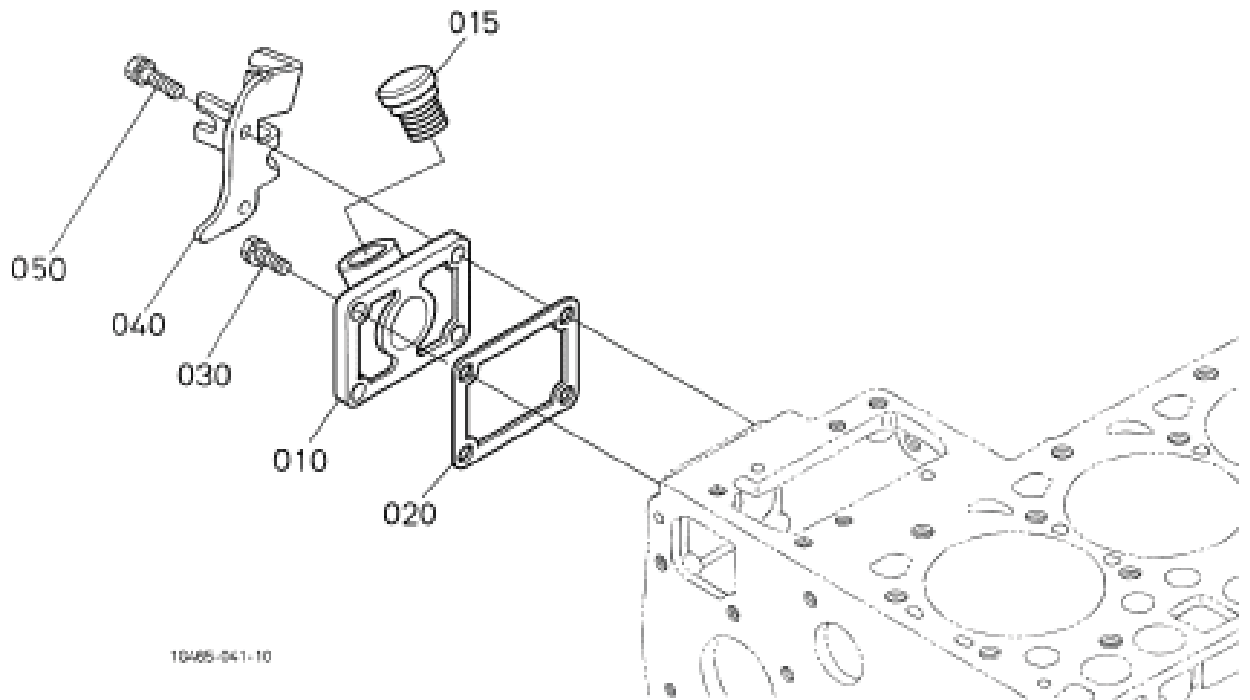
2203 KUBOTA ENGINE DIPSTICK AND GUIDE			
ITEM	PART NO.	REQ'D	DESCRIPTION
010	3338346	1	GAUGE-OIL
020	3329916	1	V2203-KUBOTA TUBE DIPSTICK(SP)
030	3336926	1	PLUG, OIL GAUGE KUBOTA

2203 KUBOTA ENGINE OIL PUMP



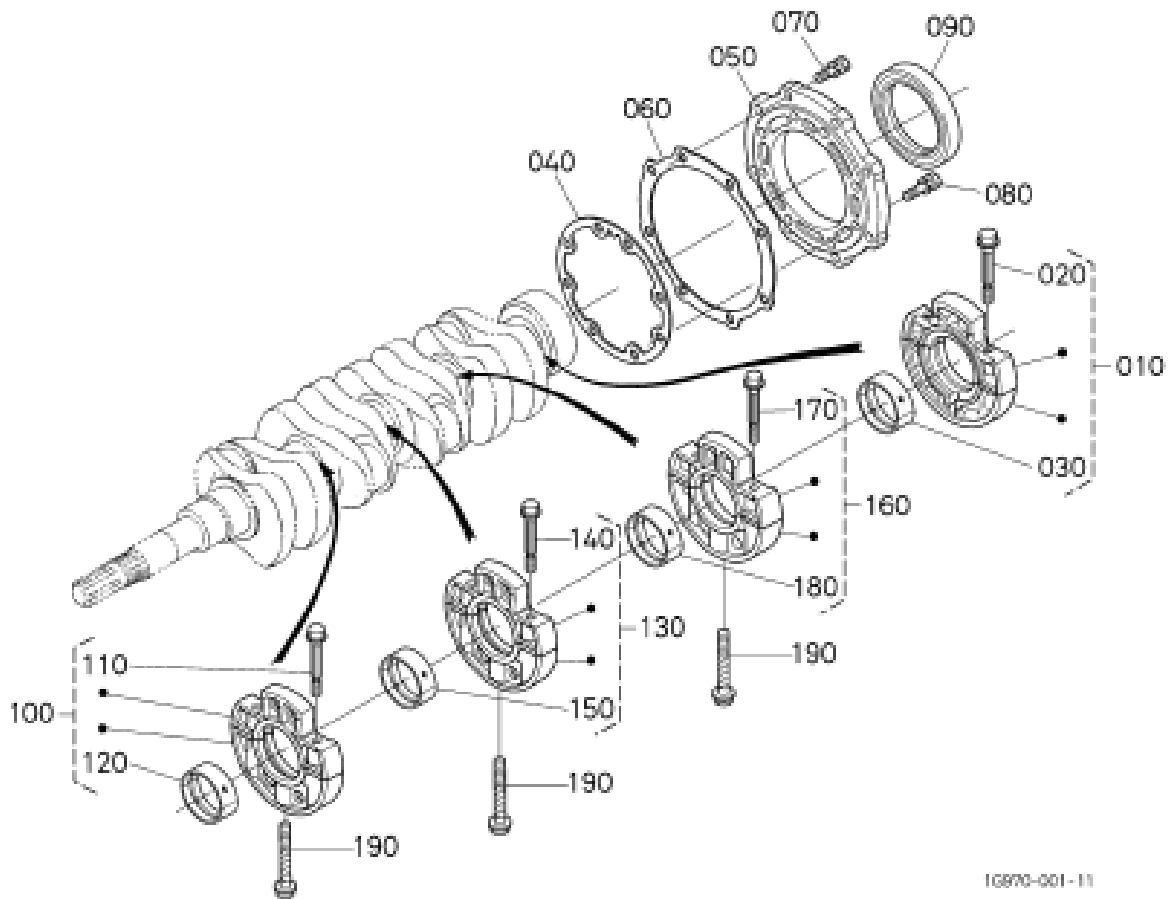
2203 KUBOTA ENGINE OIL PUMP			
ITEM	PART NO.	REQ'D	DESCRIPTION
010	3338347	1	ASSY-OIL PUMP
020	3338348	1	GASKET-OIL PUMP
030	3338349	4	BOLT
040	3331576	1	GEAR, OIL PUMP DRIVE-210
050	3331577	1	KEY, FEATHER-220
060	3331578	1	NUT, FLANGE-230

2203 KUBOTA ENGINE OIL FILLER FLANGE



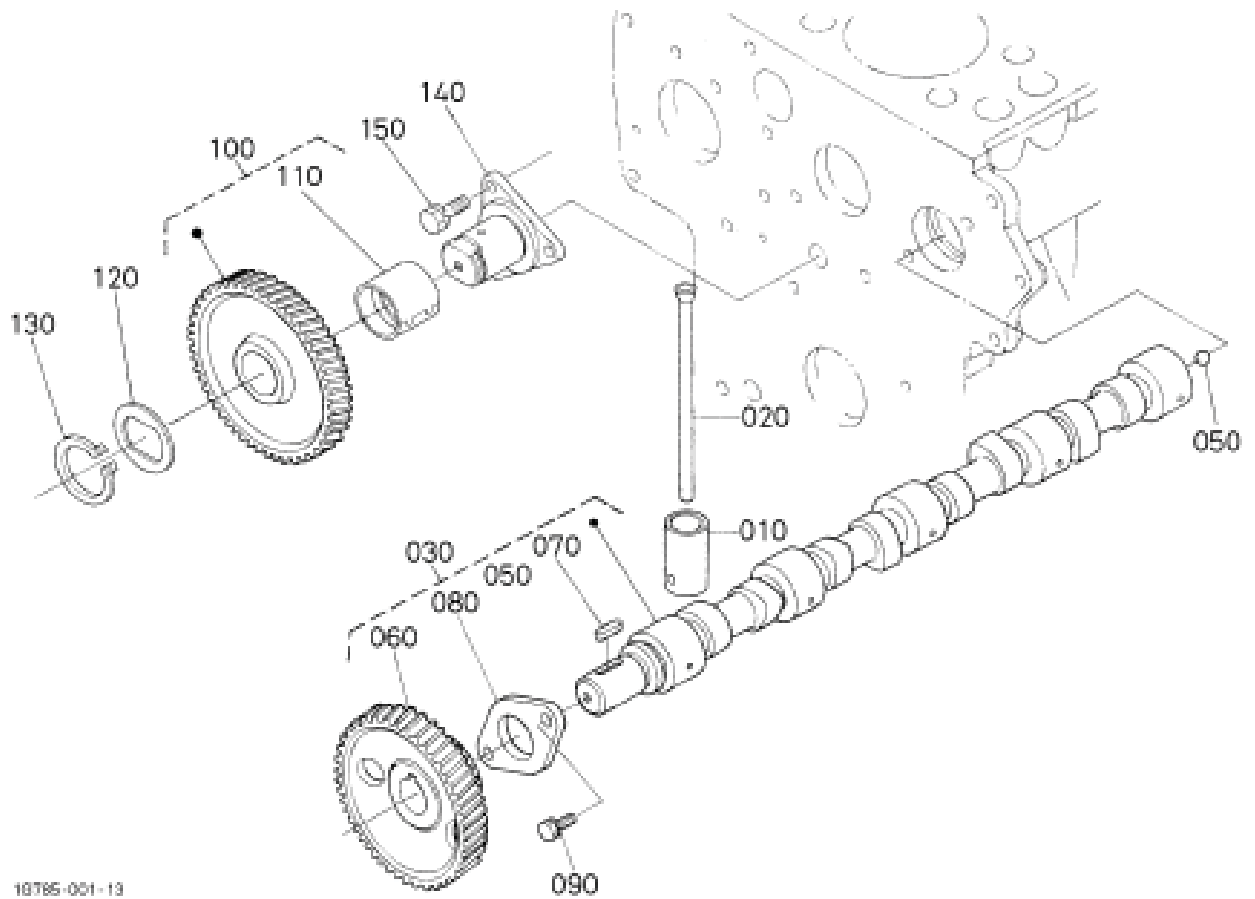
2203 KUBOTA ENGINE OIL FILLER FLANGE			
ITEM	PART NO.	REQ'D	DESCRIPTION
010	--XXX--	-	NOT SOLD SEPARATELY
015	3338350	1	PLUG-OIL FILLER
020	3338351	1	GASKET-PUMP COVER
030	3331776	2	BOLT-150
040	3338352	1	BRACKET,ACCEL.CABLE
050	3338353	2	BOLT

2203 KUBOTA ENGINE MAIN BEARING CASE



2203 KUBOTA ENGINE MAIN BEARING CASE			
ITEM	PART NO.	REQ'D	DESCRIPTION
010	3338354	1	ASSY-BRG. CASE WHEEL
020	--XXX--	-	NOT SOLD SEPARATELY
030	--XXX--	-	NOT SOLD SEPARATELY
040	3338355	1	GASKET-BEARING CASE
050	3338356	1	COVER-BERING CASE
060	3338357	1	GASKET- CASE COVER
070	3331507	8	BOLT-060
080	3331508	8	BOLT-070
090	3338358	1	SEAL-OIL
100	3338359	1	ASSY-BRG. CASE MAIN
110	--XXX--	-	NOT SOLD SEPARATELY
120	--XXX--	-	NOT SOLD SEPARATELY
130	3338360	1	ASSY BRG.CASE,MAIN
140	--XXX--	-	NOT SOLD SEPARATELY
150	--XXX--	-	NOT SOLD SEPARATELY
160	3338361	1	ASSY BRG.CASE,MAIN
170	--XXX--	-	NOT SOLD SEPARATELY
180	--XXX--	-	NOT SOLD SEPARATELY
190	3331512	3	BOLT, BEARING CASE-110

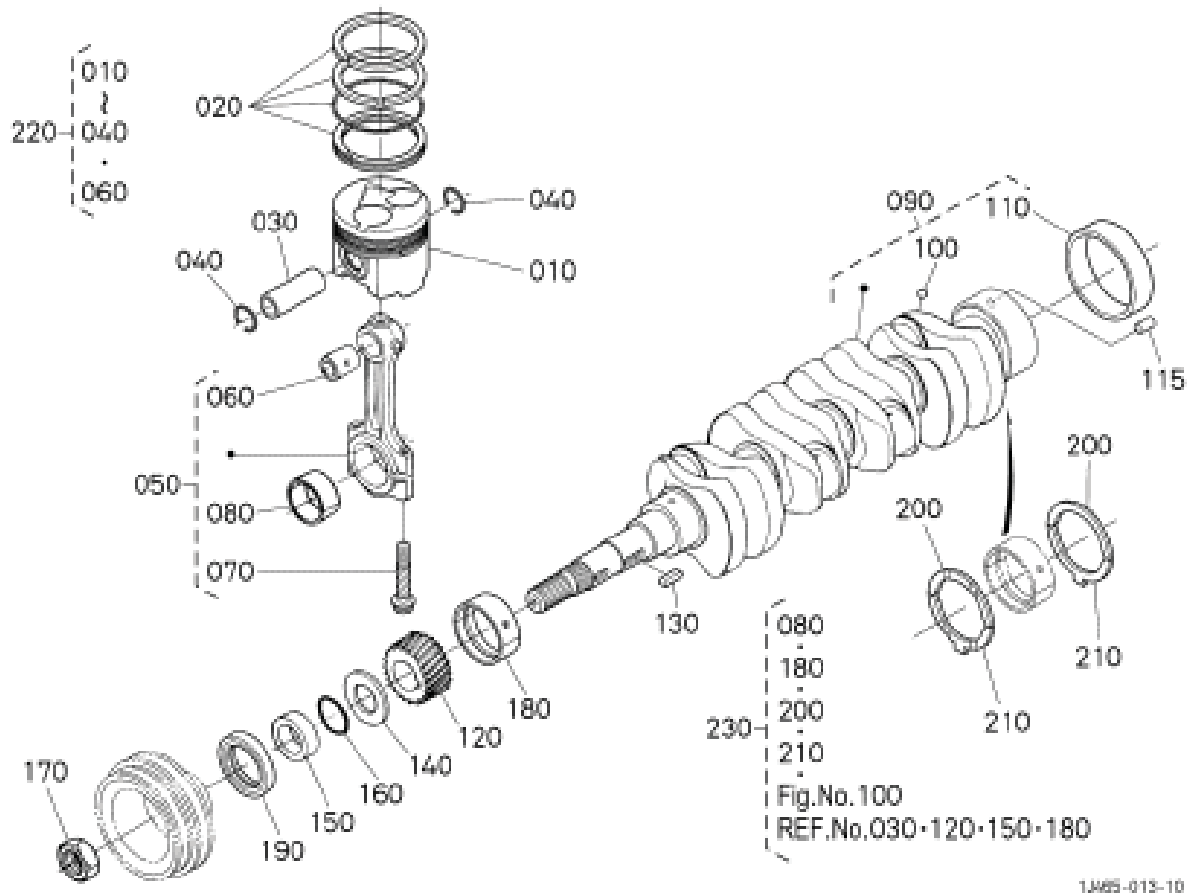
2203 KUBOTA ENGINE CAMSHAFT AND IDLE GEAR SHAFT



10785-001-13

2203 KUBOTA ENGINE CAMSHAFT AND IDLE GEAR SHAFT			
ITEM	PART NO.	REQ'D	DESCRIPTION
010	3331513	8	TAPPET-010
020	3331514	8	PUSH ROD -020
030	3338362	1	ASSY-CAMSHAFT
050	3331692	1	BALL-100
060	--XXX--	-	NOT SOLD SEPARATELY
070	3331519	1	KEY, FEATHER-070
080	3331670	1	STOPPER, CAMSHAFT-080
090	3331671	2	BOLT-090
100	3338363	1	COMP. GEAR IDLE
110	--XXX--	-	NOT SOLD SEPARATELY
120	--XXX--	-	NOT SOLD SEPARATELY
130	--XXX--	-	NOT SOLD SEPARATELY
140	--XXX--	-	NOT SOLD SEPARATELY
150	3331671	3	BOLT-090

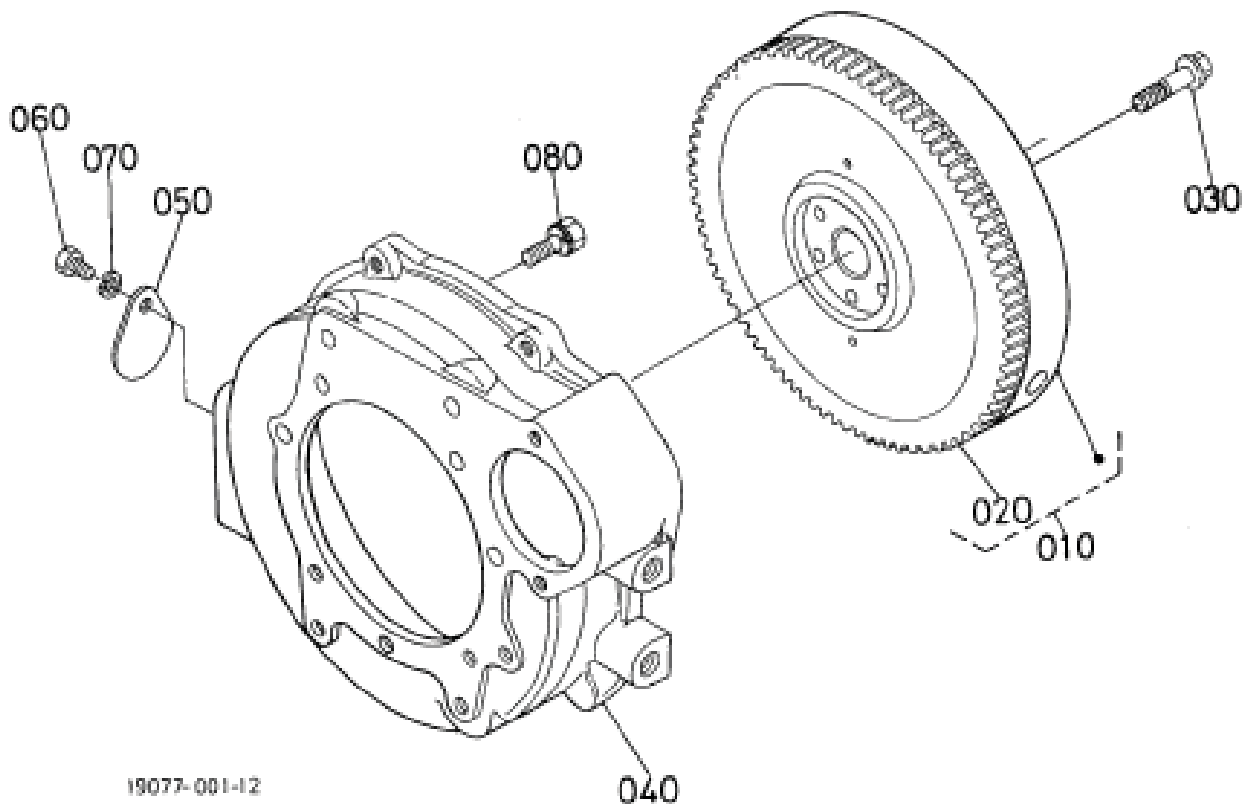
2203 KUBOTA ENGINE PISTON AND CRANKSHAFT



1JMS-013-10

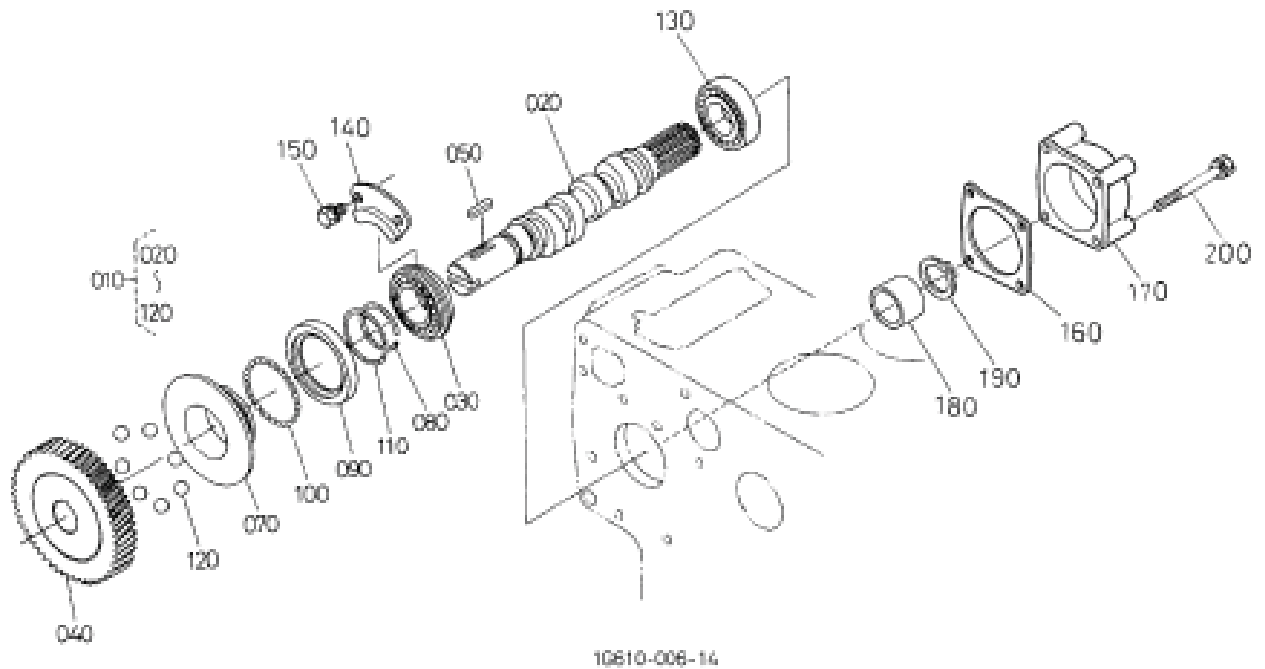
2203 KUBOTA ENGINE PISTON AND CRANKSHAFT			
ITEM	PART NO.	REQ'D	DESCRIPTION
010	--XXX--	-	NOT SOLD SEPARATELY
020	3338364	4	ASSY-PISTON RING (STD.)
020	3338365	4	ASSY-PISTON RING (+0.25 MM)
030	--XXX--	-	NOT SOLD SEPARATELY
040	--XXX--	-	NOT SOLD SEPARATELY
050	3331685	4	ASSY CONNECTING ROD-050
060	3331686	4	BUSH, PISTON PIN-060
070	3331687	8	BOLT, CONNECTING ROD-070
080	3331688	4	METAL, CRANKPIN STD SET
090	3338366	1	COMP. CRANKSHAFT
100	3331692	4	BALL-100
110	3329732	1	0.2MM SLEEVE CRANKSHAFT
120	--XXX--	-	NOT SOLD SEPARATELY
130	--XXX--	-	NOT SOLD SEPARATELY
140	3331696	1	SLINGER, OIL-150
150	3331697	1	COLLAR, CRANKSHAFT-160
160	3331698	1	O RING - 170
170	--XXX--	-	NOT SOLD SEPARATELY
180	--XXX--	-	NOT SOLD SEPARATELY
190	3330290	1	SEAL OIL
200	--XXX--	-	NOT SOLD SEPARATELY
210	--XXX--	-	NOT SOLD SEPARATELY
220	3338367	4	KIT-PISTON (STD.)
220	3338368	4	KIT-PISTON (+0.25 MM)
230	3338369	1	KIT-METAL ENGINE (STD.)
230	3338370	1	KIT-METAL ENGINE (-0.20 MM/+0.20 MM)
230	3338371	1	KIT-METAL ENGINE (-0.40 MM/+0.40 MM)

2203 KUBOTA ENGINE FLYWHEEL



2203 KUBOTA ENGINE FLYWHEEL			
ITEM	PART NO.	REQ'D	DESCRIPTION
010	3338372	1	COMP. FLYWHEEL
020	3331715	1	GEAR, RING-020
030	3331716	6	BOLT, FLYWHEEL-030
040	3331717	1	HOUSING, FLYWHEEL-040
050	3331718	1	COVER-050
060	3331719	1	BOLT-060
070	3331598	1	WASHER, SPRING-060
080	3331721	11	BOLT, F/HOUSING-080

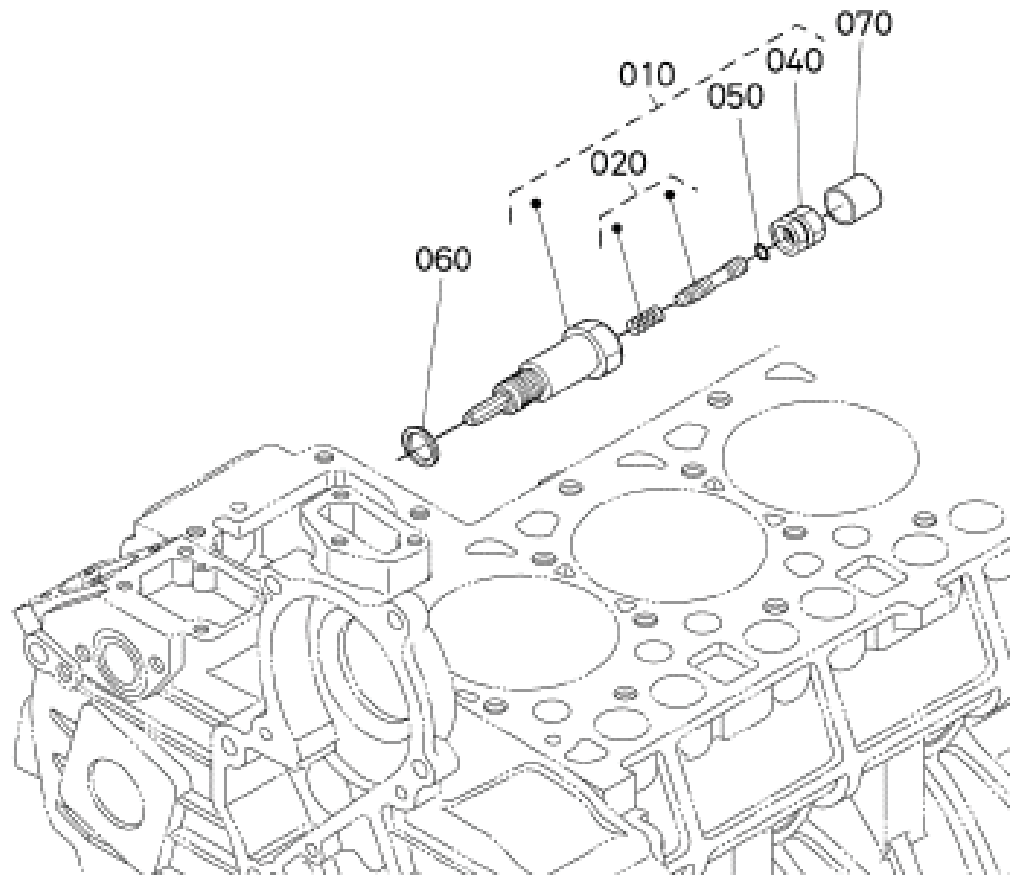
2203 KUBOTA ENGINE FUEL CAMSHAFT AND GOVERNOR SHAFT



PARTS BREAKDOWN

2203 KUBOTA ENGINE FUEL CAMSHAFT AND GOVERNOR SHAFT			
ITEM	PART NO.	REQ'D	DESCRIPTION
010	3338373	1	ASSY-CAMSHAFT FUEL
020	--XXX--	-	NOT SOLD SEPARATELY
030	3331739	1	BEARING, BALL-030
040	3331740	1	GEAR, INJECTION PUMP-040
050	3331741	1	KEY, FEATHER-050
070	3331743	1	SLEEVE, GOVERNOR
080	3331744	1	CIR-CLIP, GOV. SLEEVE-080
090	3331745	1	CASE, GOVERNOR BALL-090
100	3331746	39	BALL-100
110	3331747	1	CIR-CLIP-110
120	3331748	7	BALL-120
130	--XXX--	-	NOT SOLD SEPARATELY
140	3331750	1	STOPPER,FUEL.C/SHAFT-140
150	3331589	2	BOLT-070
160	3338374	1	GASKET
170	--XXX--	-	NOT SOLD SEPARATELY
180	--XXX--	-	NOT SOLD SEPARATELY
190	--XXX--	-	NOT SOLD SEPARATELY
200	3331757	4	BOLT-200

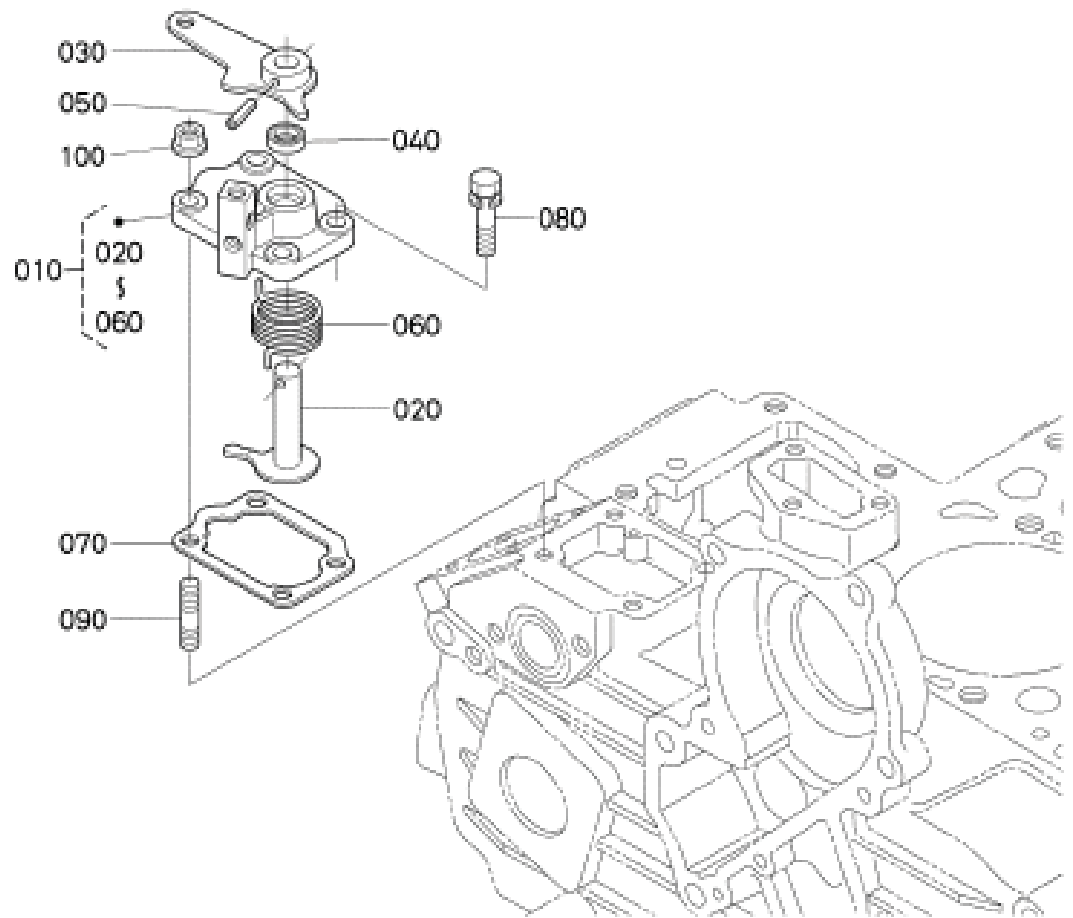
2203 KUBOTA ENGINE IDLE APPARATUS



1G176-005-11

2203 KUBOTA ENGINE IDLE APPARATUS			
ITEM	PART NO.	REQ'D	DESCRIPTION
010	3338375	1	APPARATUS-IDLING
020	--XXX--	-	NOT SOLD SEPARATELY
040	--XXX--	-	NOT SOLD SEPARATELY
050	--XXX--	-	NOT SOLD SEPARATELY
060	3338376	1	GASKET
070	--XXX--	-	NOT SOLD SEPARATELY

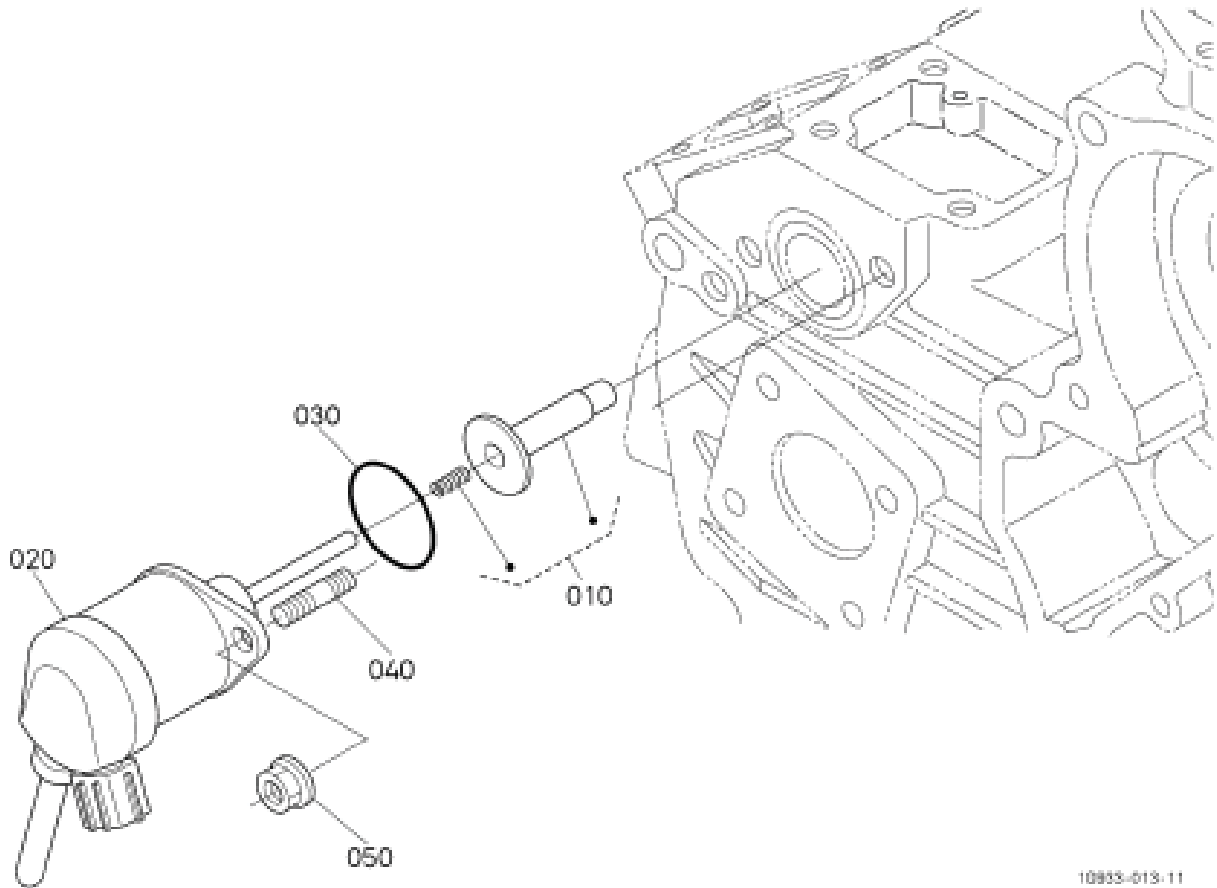
2203 KUBOTA ENGINE STOP LEVER



19345-095-10

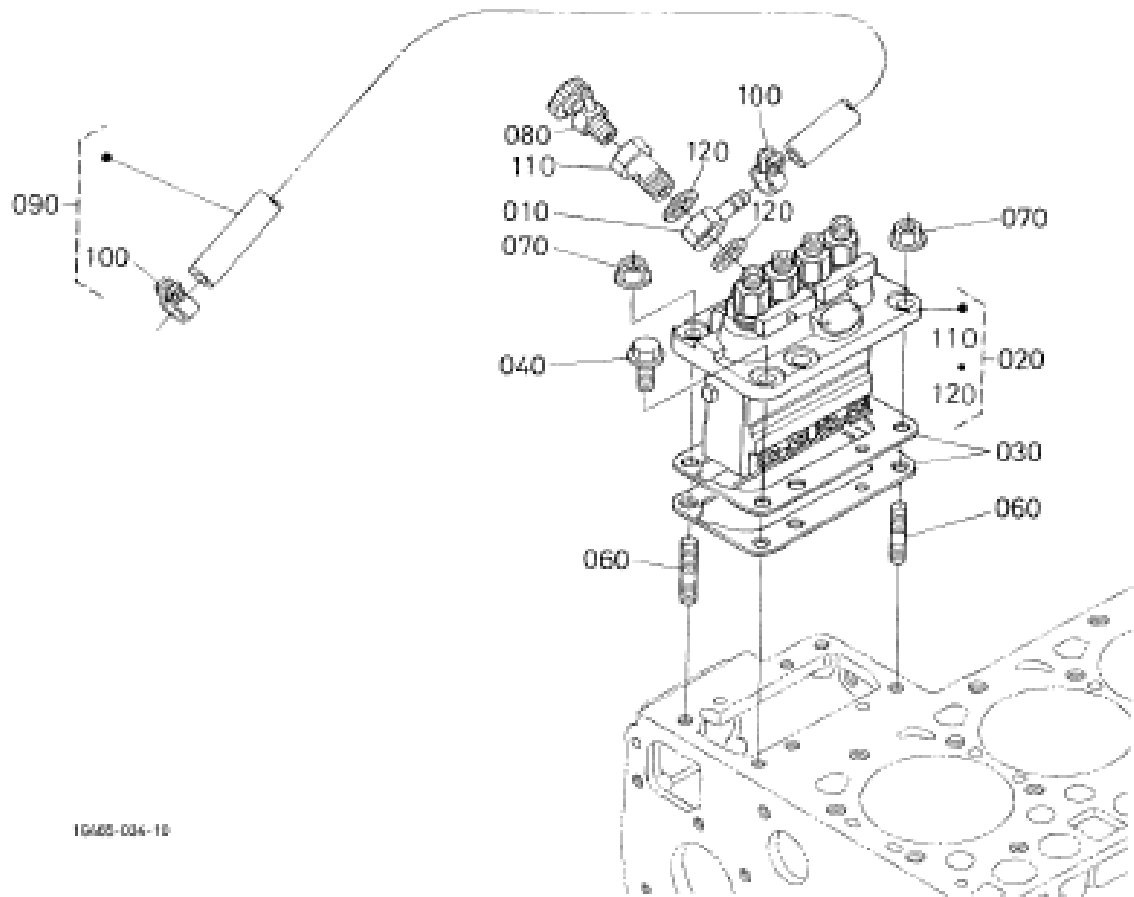
2203 KUBOTA ENGINE STOP LEVER			
ITEM	PART NO.	REQ'D	DESCRIPTION
010	3338377	1	ASSY-LEVER ENGINE STOP
020	--XXX--	-	NOT SOLD SEPARATELY
030	--XXX--	-	NOT SOLD SEPARATELY
040	3334298	1	SEAL-SPEED CONTROL PLATE ASSY KBA 2203 EMIS
050	3331772	1	PIN, SP
060	--XXX--	-	NOT SOLD SEPARATELY
070	3334297	1	GASKET-SPEED CONT PLT KBA2203 EMIS COMP
080	3331652	2	BOLT-240
090	3331624	2	STUD-360
100	--XXX--	-	NOT SOLD SEPARATELY

2203 KUBOTA ENGINE STOP SOLENOID



2203 KUBOTA ENGINE STOP SOLENOID			
ITEM	PART NO.	REQ'D	DESCRIPTION
010	3338378	1	COMP. GUIDE SOLENOID
020	3338379	1	ASSY-SOLENOID
030	3338380	1	O-RING
040	3331624	2	STUD-360
050	3338381	1	NUT-FLANGE

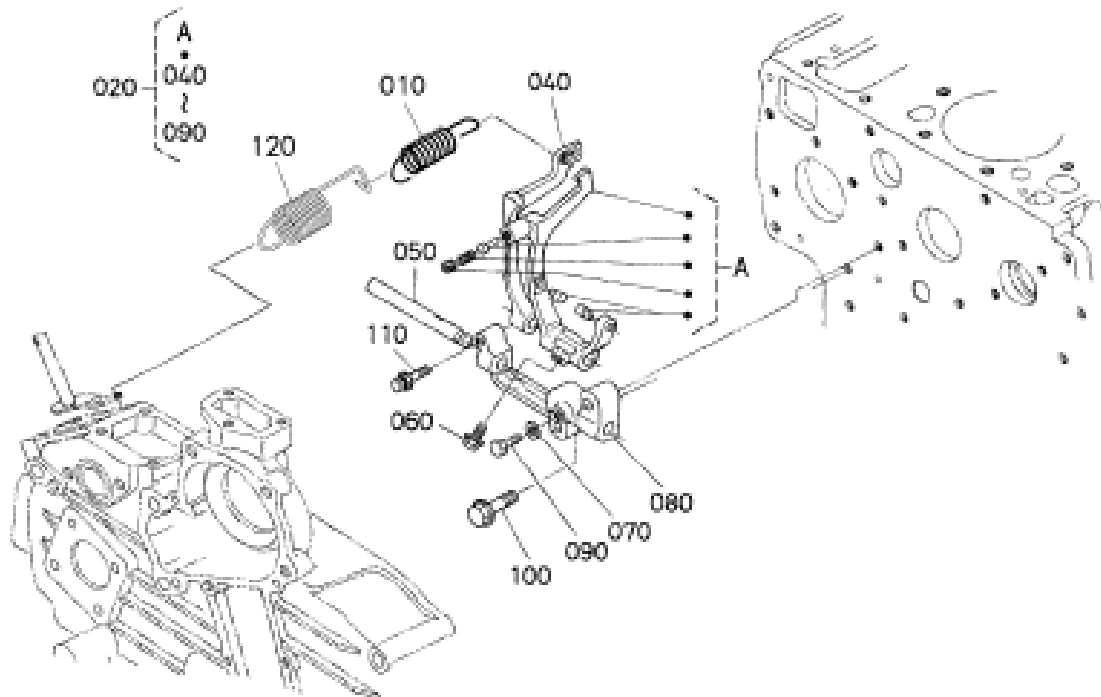
2203 KUBOTA ENGINE INJECTION PUMP



1G603-004-10

2203 KUBOTA ENGINE INJECTION PUMP			
ITEM	PART NO.	REQ'D	DESCRIPTION
010	--XXX--	-	NOT SOLD SEPARATELY
020	3338382	1	ASSY-PUMP INJECTION
030	--XXX--	-	NOT SOLD SEPARATELY
040	3338383	4	BOLT-FLANGE
060	3338384	2	STUD
070	3338385	2	NUT-FLANGE
080	3303591	1	ASSY-COCK JET START-KUBOTA(SP)
090	3331788	1	ASSY PIPE, FUEL-090
100	3331789	2	CLIP, PIPE-100
110	--XXX--	-	NOT SOLD SEPARATELY
120	--XXX--	-	NOT SOLD SEPARATELY

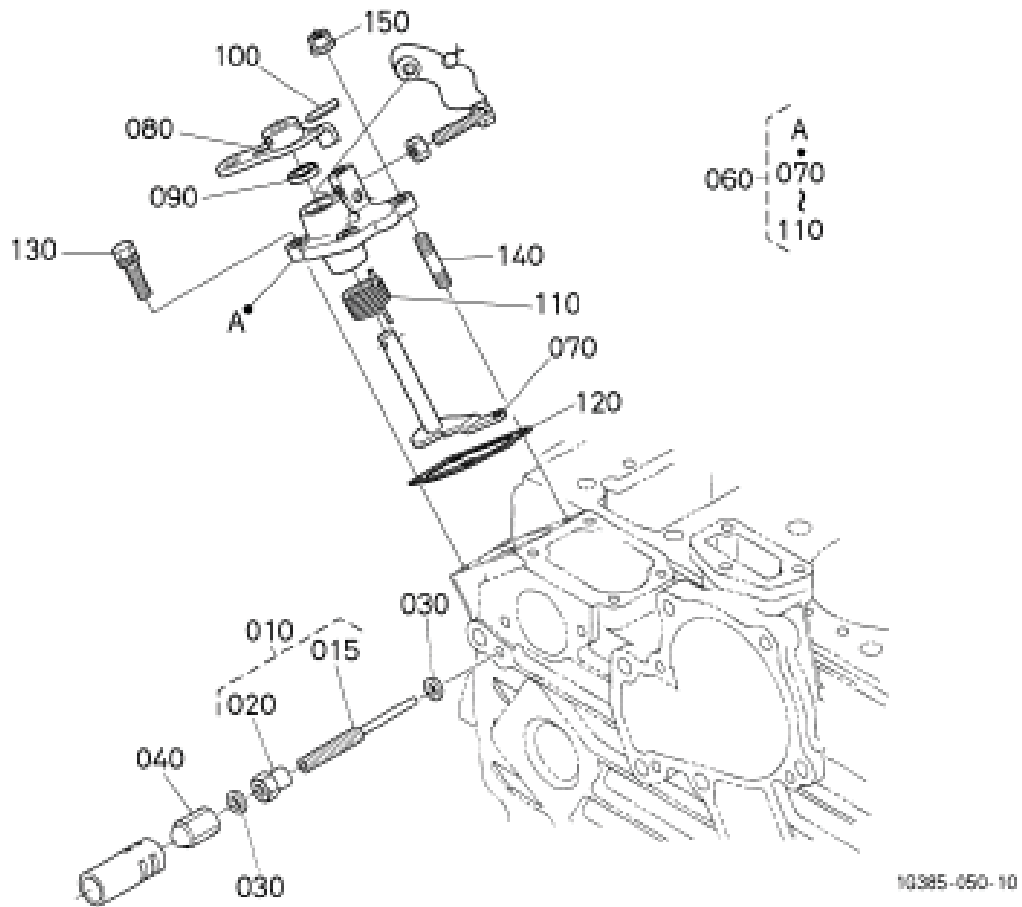
2203 KUBOTA ENGINE GOVERNOR



10475-008-14

2203 KUBOTA ENGINE GOVERNOR			
ITEM	PART NO.	REQ'D	DESCRIPTION
010	3334295	1	SPRING-GOVENOR KBA 2203 EMIS COMP
020	3334293	1	ASSY-LEVER FORK KBA 2203 EMIS COMP
040	--XXX--	-	NOT SOLD SEPARATELY
050	--XXX--	-	NOT SOLD SEPARATELY
060	--XXX--	-	NOT SOLD SEPARATELY
070	3331575	1	WASHER, SPRING -200
080	3331817	1	HOLDER, FORK LEVER- 070
090	3331818	1	BOLT -080
100	3338386	2	BOLT
110	3338387	1	SPRING-GOVERNOR
120	3334294	1	SPRING-GOVENOR KBA 2203 EMIS COMP

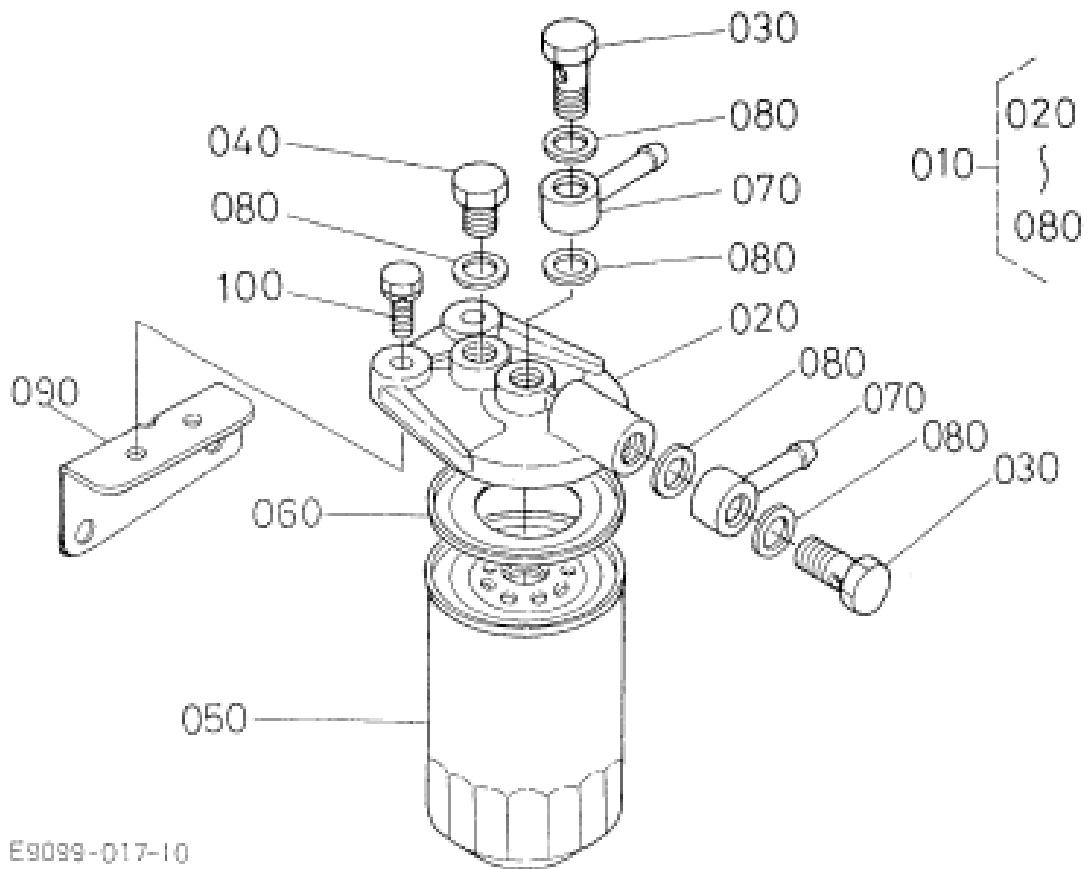
2203 KUBOTA ENGINE SPEED CONTROL PLATE



2203 KUBOTA ENGINE SPEED CONTROL PLATE			
ITEM	PART NO.	REQ'D	DESCRIPTION
010	3338388	1	ASSY-BOLT ADJUSTMENT
015	--XXX--	-	NOT SOLD SEPARATELY
020	--XXX--	-	NOT SOLD SEPARATELY
030	3331828	2	GASKET- 030
040	3331829	1	NUT, CAP- 040
060	3334296	1	ASSY-SPEED CONT PLATE KBA 2203 EMIS COMP
070	--XXX--	-	NOT SOLD SEPARATELY
080	--XXX--	-	NOT SOLD SEPARATELY
090	3334298	1	SEAL-SPEED CONT PLATE ASSY KBA 2203 EMIS
100	3331772	1	PIN, SPRING-120
110	--XXX--	-	NOT SOLD SEPARATELY
120	3334297	1	GASKET-SPEED CONT PLT KBA2203 EMIS COMP
130	3331652	2	BOLT-240
140	3331624	2	STUD-360
150	3338389	2	NUT-FLANGE

2203 KUBOTA ENGINE NOZZLE HOLDER AND GLOW PLUG			
ITEM	PART NO.	REQ'D	DESCRIPTION
010	3338390	1	ASSY-PIPE OVERFLOW
020	3331846	1	ASSY, PIPE OVER FLOW -020
030	3331847	1	CLIP PIPE-030
040	--XXX--	-	NOT SOLD SEPARATELY
050	3331868	1	CLAMP, CORD- 160
060	--XXX--	-	NOT SOLD SEPARATELY
070	3332432	4	KUBOTA GASKET
080	3331853	4	SEAL, HEAT -070
090	3331856	1	PIPE INJECTION 15056~
100	3331859	1	PIPE INJECTION 15056~
110	3331862	1	PIPE INJECTION 15056~
120	3338391	1	PIPE-INJECTION
130	3331861	3	PIPE INJECTION 14840~
140	3331864	3	CLAMP, PIPE -120
150	3331865	3	SCREW W/WASHER -130
160	3331866	4	PLUG GLOW -140
170	3338392	1	CORD-GLOW PLUG
180	--XXX--	-	NOT SOLD SEPARATELY
190	--XXX--	-	NOT SOLD SEPARATELY
200	3338393	4	KIT-HOLDER NOZZLE

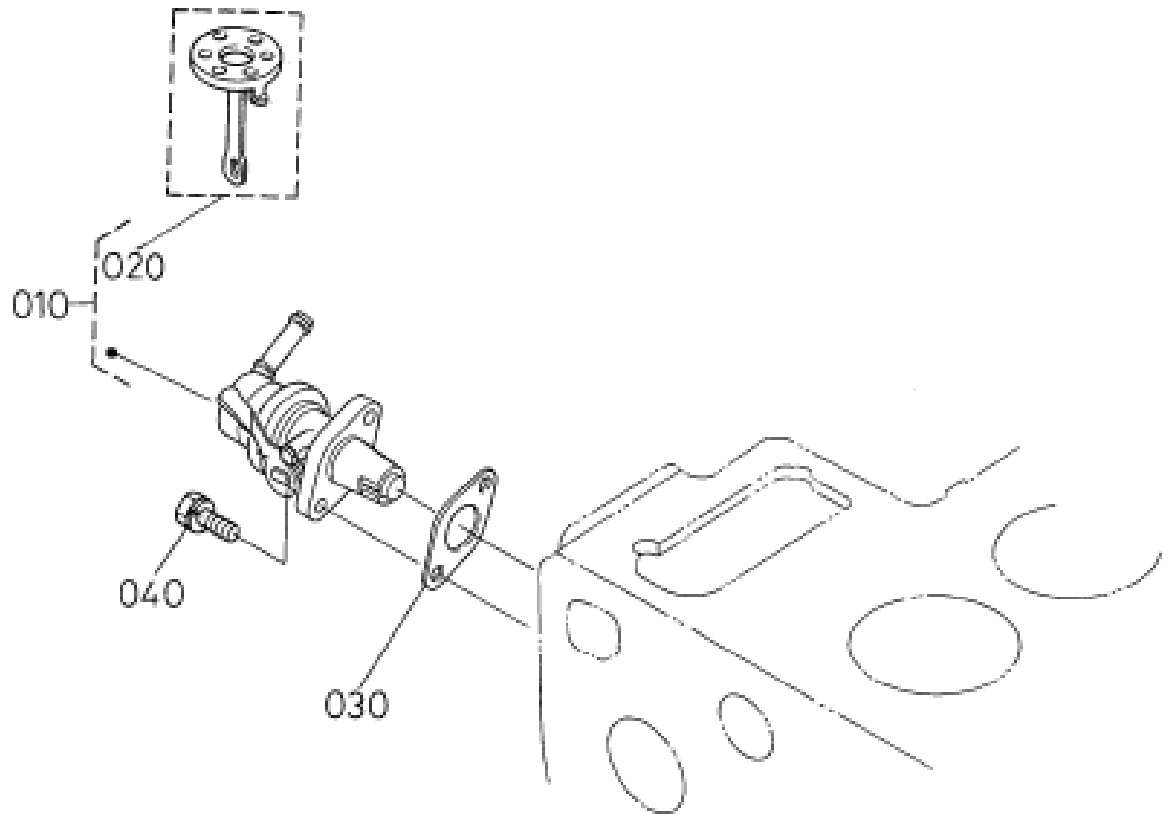
2203 KUBOTA ENGINE FUEL FILTER



E9099-017-10

2203 KUBOTA ENGINE FUEL FILTER			
ITEM	PART NO.	REQ'D	DESCRIPTION
010	3338394	1	ASSY-FILTER FUEL
020	--XXX--	-	NOT SOLD SEPARATELY
030	--XXX--	-	NOT SOLD SEPARATELY
040	--XXX--	-	NOT SOLD SEPARATELY
050	3338395	1	FUEL FILTER
060	3338396	1	GASKET
070	--XXX--	-	NOT SOLD SEPARATELY
080	--XXX--	-	NOT SOLD SEPARATELY
090	--XXX--	-	NOT SOLD SEPARATELY
100	3338397	2	BOLT

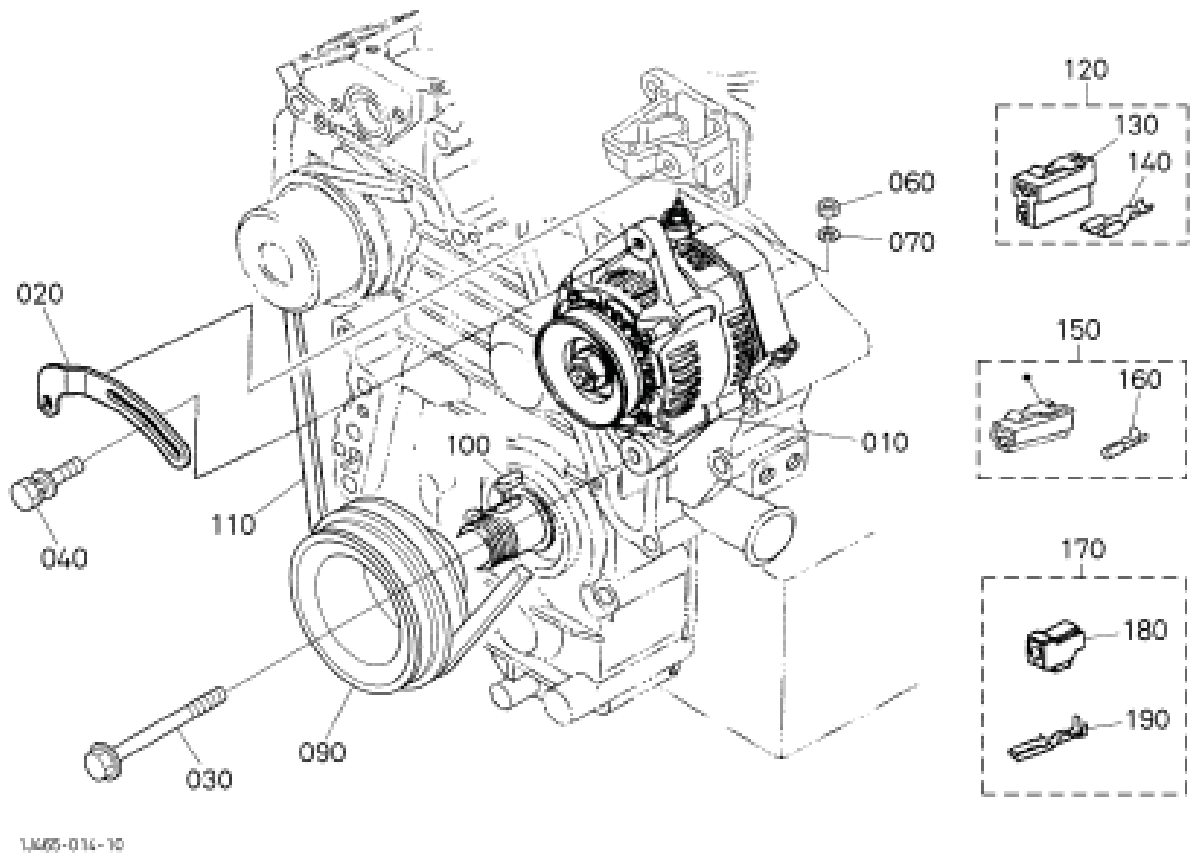
2203 KUBOTA ENGINE FUEL PUMP (MECHANICAL)



1E064-004-10

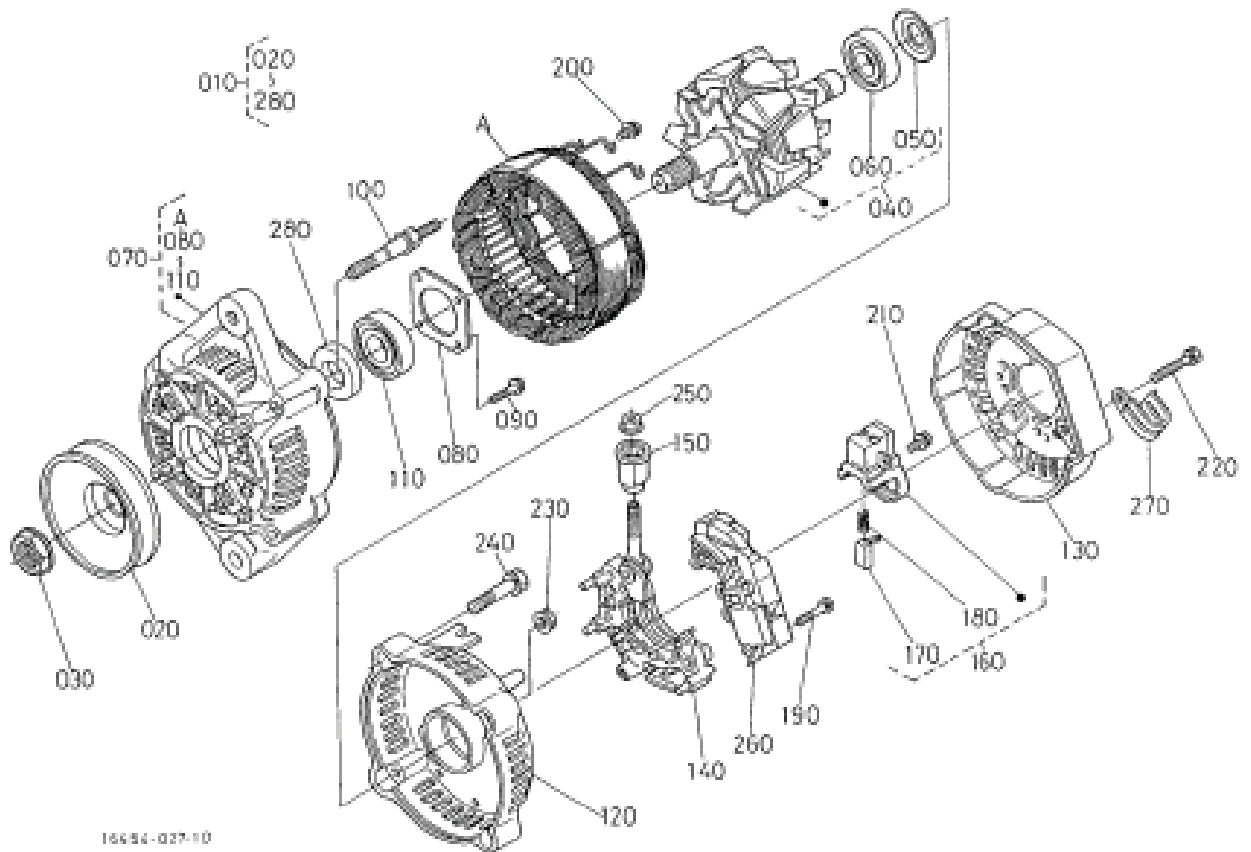
2203 KUBOTA ENGINE FUEL PUMP (MECHANICAL)			
ITEM	PART NO.	REQ'D	DESCRIPTION
010	3331924	1	ASSY PUMP FUEL -010
020	3338398	1	COMP. DIAPHRAGM
030	3338399	1	GASKET-FUEL PUMP
040	3331926	2	BOLT- 030

2203 KUBOTA ENGINE ALTERNATOR AND PULLEY



2203 KUBOTA ENGINE ALTERNATOR AND PULLEY			
ITEM	PART NO.	REQ'D	DESCRIPTION
010	3338400	1	ASSY-ALTERNATOR
020	--XXX--	-	NOT SOLD SEPARATELY
030	3338401	1	BOLT-FLANGE
040	3338402	1	BOLT
060	3331620	1	NUT-330
070	3331575	1	WASHER, SPRING -200
090	--XXX--	-	NOT SOLD SEPARATELY
100	3331519	1	KEY, FEATHER-070
110	3338956	1	BELT, COG
120	3306810	1	TERMINAL-2 PRG KBA ALT 71G(SP)
130	3331946	1	CONNECT -160
140	3331947	2	TERMINAL -170
150	3331953	1	ASSY COUPLER- 230
160	3331954	1	TERMINAL -240
170	--XXX--	-	NOT SOLD SEPARATELY
180	--XXX--	-	NOT SOLD SEPARATELY
190	--XXX--	-	NOT SOLD SEPARATELY

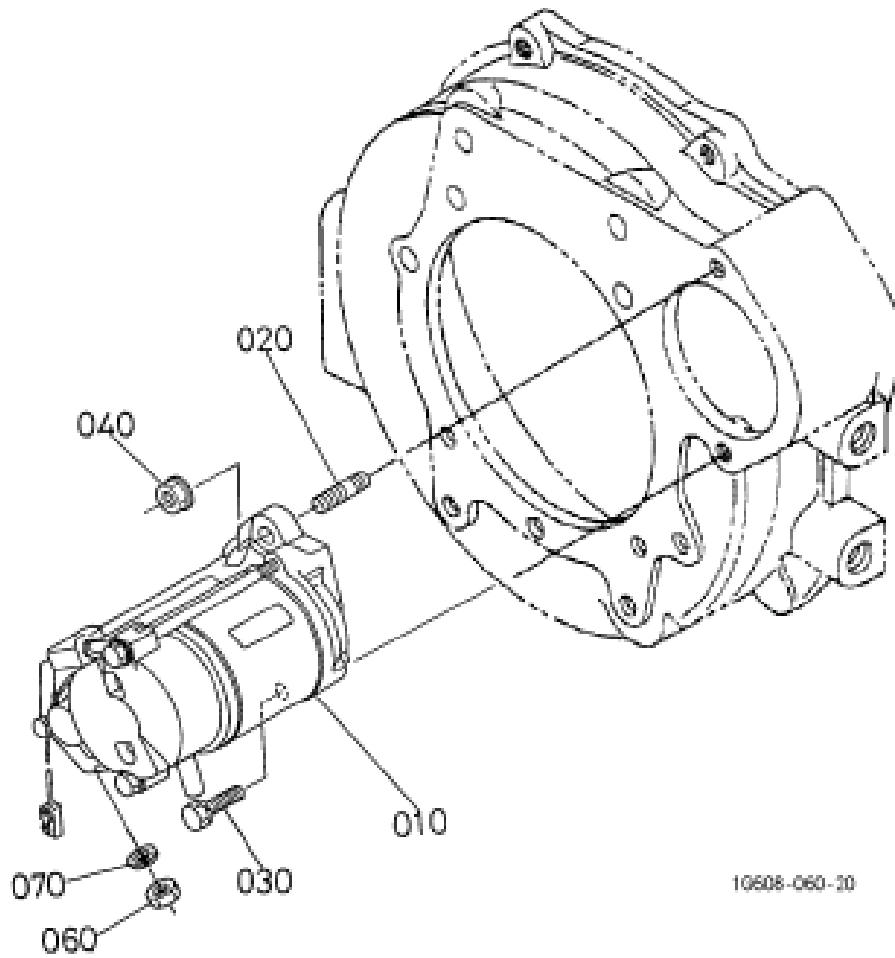
2203 KUBOTA ENGINE ALTERNATOR (COMPONENT PARTS)



PARTS BREAKDOWN

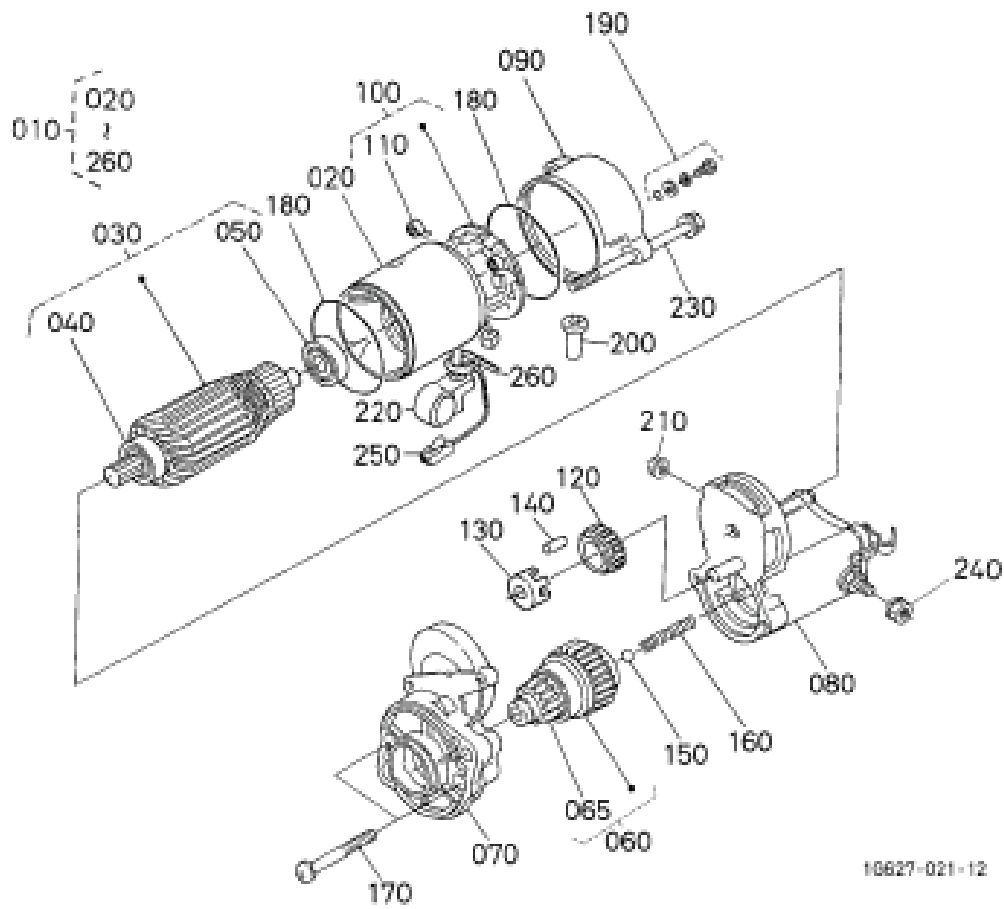
2203 KUBOTA ENGINE ALTERNATOR (COMPONENT PARTS)			
ITEM	PART NO.	REQ'D	DESCRIPTION
010	3338400	1	ASSY-ALTERNATOR
020	3331956	1	PULLEY ALTERNATOR- 020
030	3331957	1	NUT- 030
040	--XXX--	-	NOT SOLD SEPARATELY
050	3331960	1	COVER BEARING- 060
060	--XXX--	-	NOT SOLD SEPARATELY
070	--XXX--	-	NOT SOLD SEPARATELY
080	3331964	1	PLATE, RETAINER -100
090	3331965	4	SCREW, ROUND HEAD -110
100	3331966	2	BOLT, THROUGH -120
110	3331967	1	BEARING BALL -130
120	--XXX--	-	NOT SOLD SEPARATELY
130	--XXX--	-	NOT SOLD SEPARATELY
140	--XXX--	-	NOT SOLD SEPARATELY
150	--XXX--	-	NOT SOLD SEPARATELY
160	3331972	1	HOLDER BRUSH -180
170	3331973	2	BRUSH -190
180	3331974	2	SPRING BRUSH- 200
190	3331975	2	SCREW, ROUND HEAD -210
200	3331976	6	SCREW ROUND HEAD- 220
210	3331977	1	SCREW ROUND HEAD- 230
220	3331978	3	BOLT- 240
230	3331979	2	NUT- 250
240	3331980	2	BOLT- 260
250	3331981	1	NUT- 270
260	--XXX--	-	NOT SOLD SEPARATELY
270	--XXX--	-	NOT SOLD SEPARATELY
280	3331958	1	COLLAR -040

2203 KUBOTA ENGINE STARTER



2203 KUBOTA ENGINE STARTER			
ITEM	PART NO.	REQ'D	DESCRIPTION
010	3331984	1	STARTER-KUBOTA 1402/03 1902/03 2203
020	3331985	1	STUD- 020
030	3331986	1	BOLT -030
040	3338403	1	NUT-FLANGE
060	3331989	1	NUT- 060
070	3331598	1	WASHER, SPRING-060

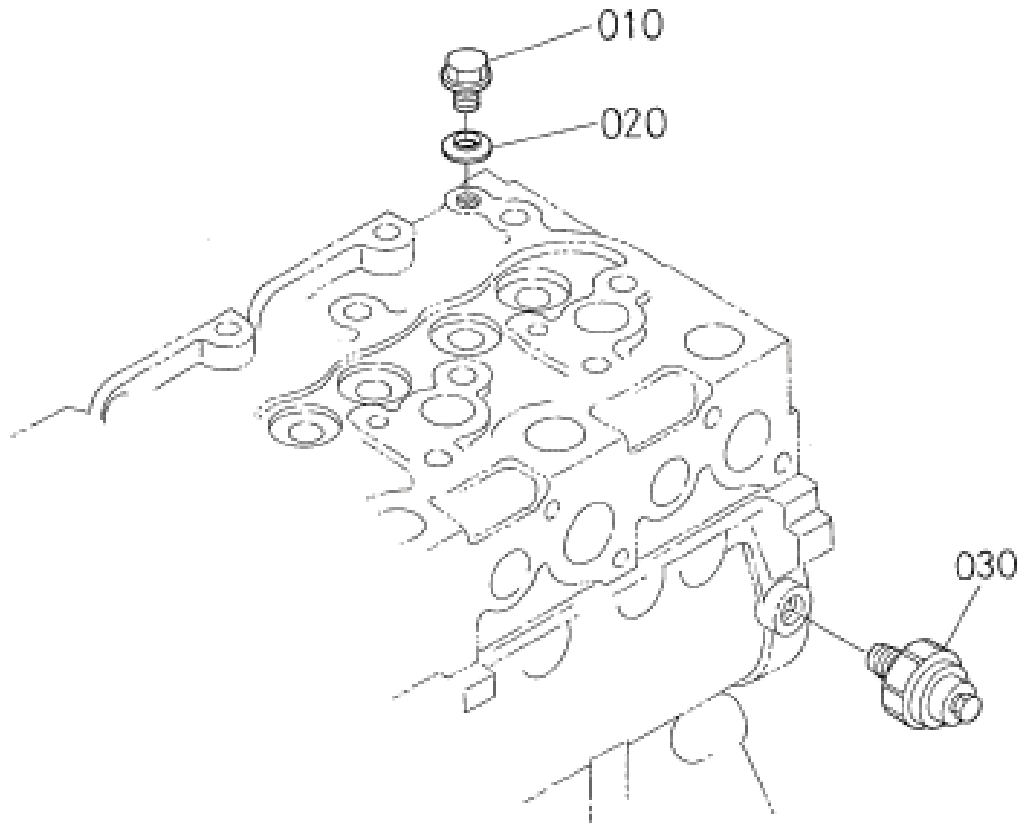
2203 KUBOTA ENGINE STARTER (COMPONENT PARTS)



PARTS BREAKDOWN

2203 KUBOTA ENGINE STARTER (COMPONENT PARTS)			
ITEM	PART NO.	REQ'D	DESCRIPTION
010	3331984	1	STARTER-KUBOTA 1402/03 1902/03 2203
020	--XXX--	-	NOT SOLD SEPARATELY
030	3331995	1	ASSY ARMATURE -030
040	3331996	1	BEARING- 040
050	3331997	1	BEARING- 050
060	3331998	1	CLUTCH, OVER RUNNING- 060
065	--XXX--	-	NOT SOLD SEPARATELY
070	3331999	1	FRAME, DRIVE END- 070
080	--XXX--	-	NOT SOLD SEPARATELY
090	3332002	1	FRAME- 090
100	3332003	1	ASSY HOLDER, BRUSH- 100
110	3332004	4	SPRING BRUSH- 110
120	3332005	1	GEAR- 120
130	3332006	1	RETAINER- 130
140	3332007	5	ROLLER- 140
150	3332009	1	BALL- 160
160	3332008	1	SPRING- 150
170	3332010	2	BOLT- 170
180	3332017	2	O RING -180
190	3332018	2	ASSY BOLT- 190
200	3332019	1	PIPE, DRAIN- 200
210	--XXX--	-	NOT SOLD SEPARATELY
220	--XXX--	-	NOT SOLD SEPARATELY
230	3332021	2	BOLT- 220
240	3332022	1	NUT, HEXAGON- 230
250	3331992	1	CORD, STOP SOLENOID 12830~
260	--XXX--	-	NOT SOLD SEPARATELY

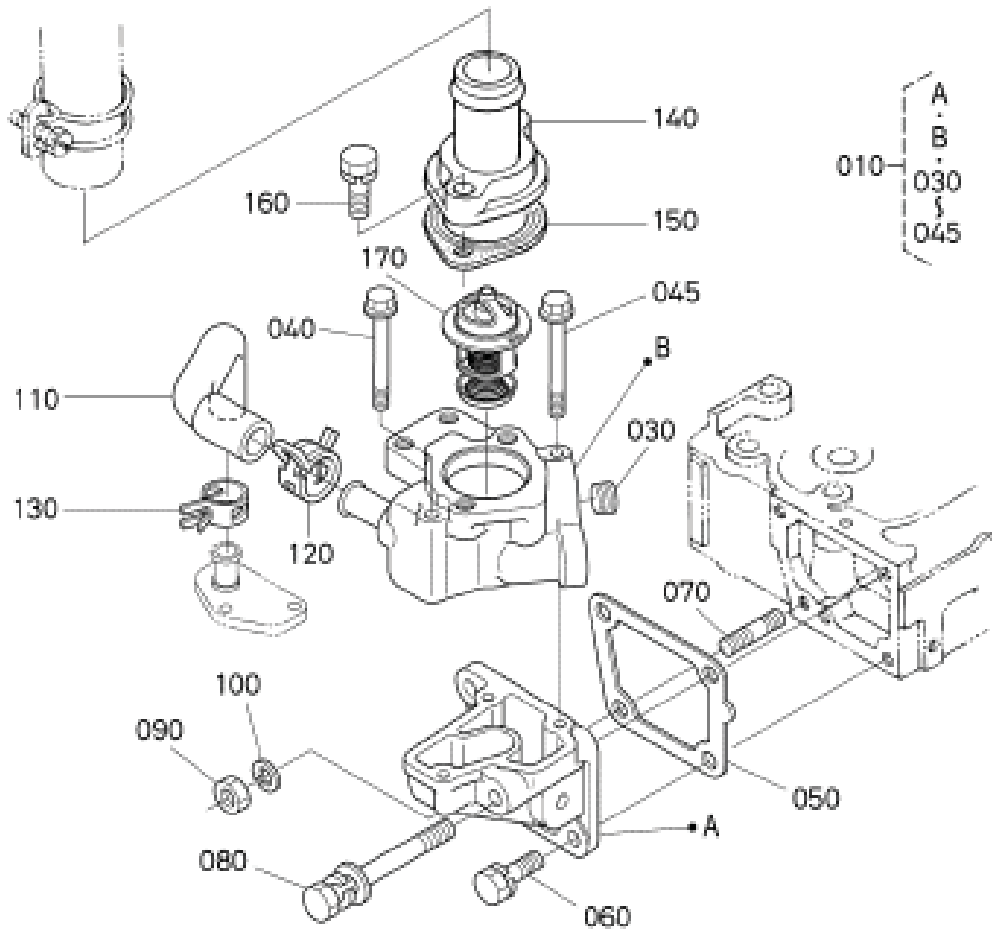
2203 KUBOTA ENGINE OIL SWITCH AND PLUG



17290-018-10

2203 KUBOTA ENGINE OIL SWITCH AND PLUG			
ITEM	PART NO.	REQ'D	DESCRIPTION
010	3332023	1	PLUG- 010
020	3332024	1	WASHER,W/RUBB- 020
030	748403	1	SWITCH, OIL

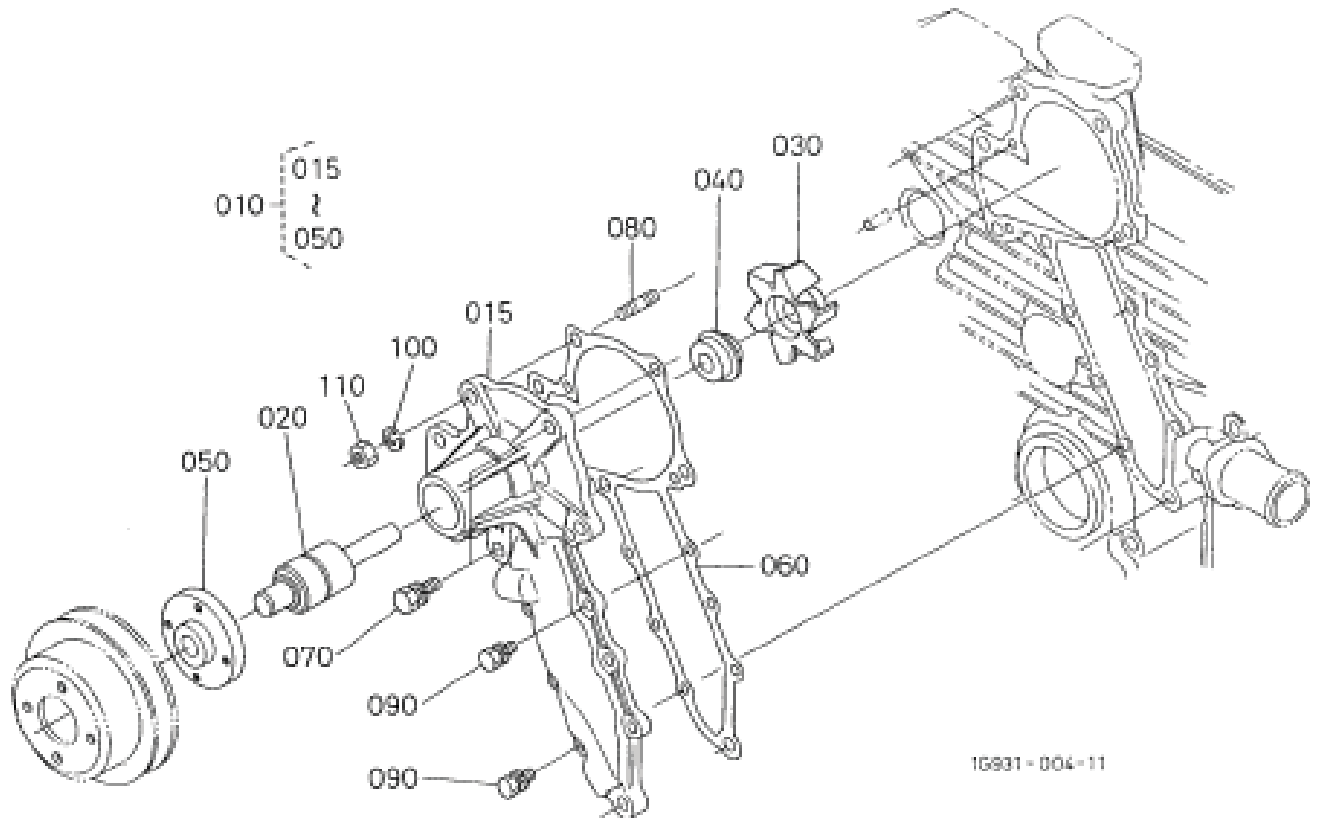
2203 KUBOTA ENGINE WATER FLANGE AND THERMOSTAT



1G933-019-15

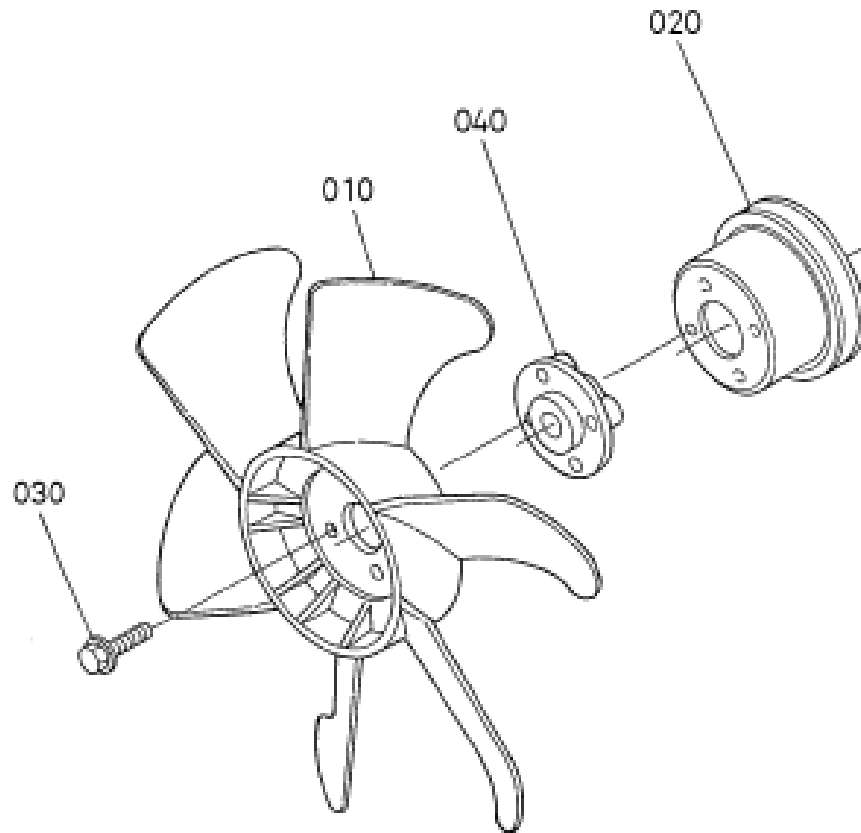
2203 KUBOTA ENGINE WATER FLANGE AND THERMOSTAT			
ITEM	PART NO.	REQ'D	DESCRIPTION
010	3338404	1	COMP. FLANGE WATER
030	--XXX--	-	NOT SOLD SEPARATELY
040	--XXX--	-	NOT SOLD SEPARATELY
045	--XXX--	-	NOT SOLD SEPARATELY
050	3338405	1	GASKET-WATER FLANGE
060	3338406	2	BOLT
070	3331784	1	STUD-050
080	3338407	1	BOLT
090	3331597	1	NUT-050
100	3331598	1	WASHER, SPRING-060
110	3334302	1	PIPE-WATER RET STAT KBA 2203 EMIS COMP
120	3338408	1	CLAMP-HOSE
130	3334303	1	CLAMP-WATER RETURN PIPE T STAT KBA 2203
140	3332039	1	COVER, THERMOSTAT- 130
150	3336918	1	GASKET - THERMOSTAT KUBOTA
160	3338409	2	BOLT
170	3334304	1	THERMOSTAT-KBA 2203 EMIS COMP

2203 KUBOTA ENGINE WATER PUMP



2203 KUBOTA ENGINE WATER PUMP			
ITEM	PART NO.	REQ'D	DESCRIPTION
010	3334305	1	PUMP-WATER KBA 2203 EMIS COMP
015	--XXX--	-	NOT SOLD SEPARATELY
020	3332046	1	BEARING- 020
030	--XXX--	-	NOT SOLD SEPARATELY
040	3332048	1	ASSY- SEAL, MECHANICAL-040
050	--XXX--	-	NOT SOLD SEPARATELY
060	3339010	1	GASKET, WATER PUMP
070	3331508	2	BOLT-070
080	3338410	1	STUD
090	3331776	6	BOLT-150
100	3331598	1	WASHER, SPRING-060
110	3331597	1	NUT-050

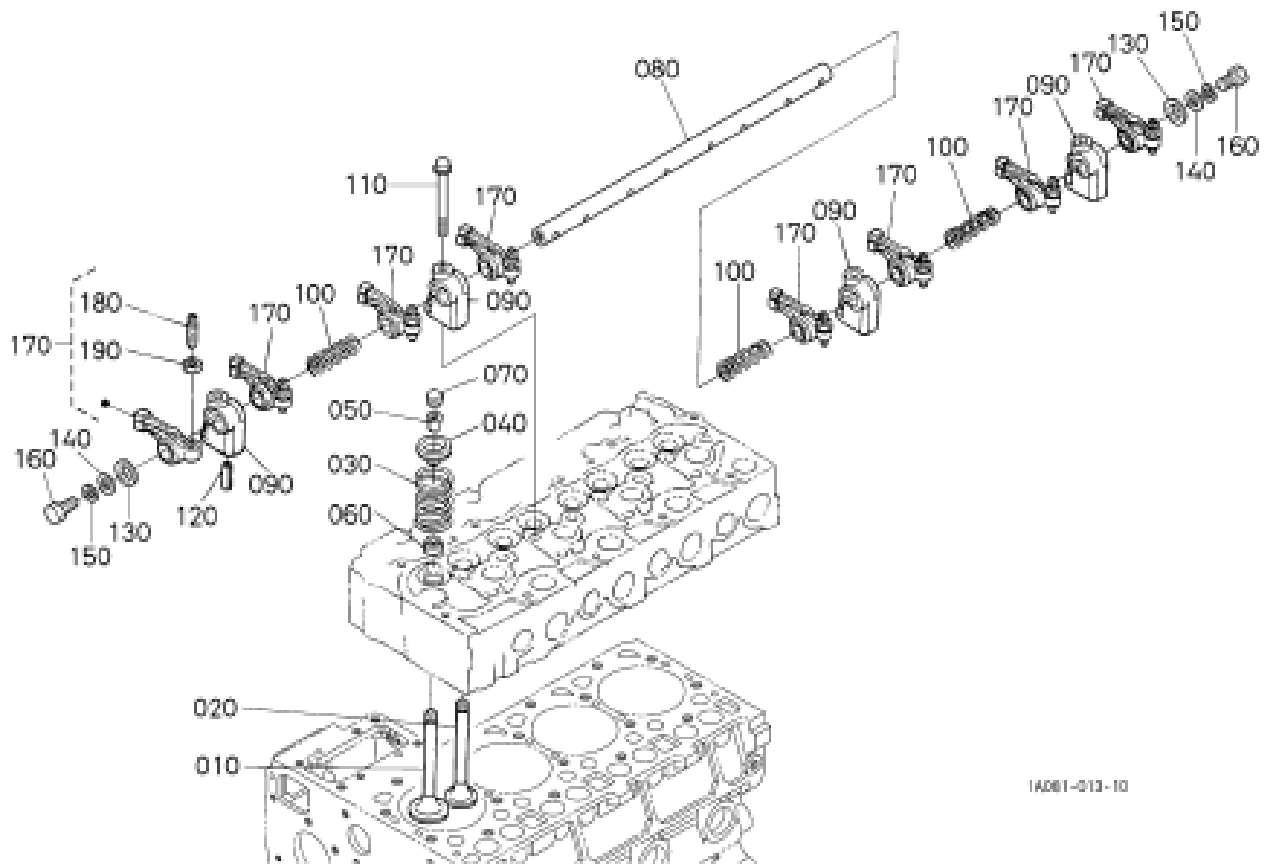
2203 KUBOTA ENGINE FAN



1G465-043-10

2203 KUBOTA ENGINE FAN			
ITEM	PART NO.	REQ'D	DESCRIPTION
010	3350449	1	FAN-ENGINE 6-BLADE V2203 KBA
020	--XXX--	-	NOT SOLD SEPARATELY
030	3338411	4	BOLT-FLANGE
040	--XXX--	-	NOT SOLD SEPARATELY

2203 KUBOTA ENGINE VALVE AND ROCKER ARM

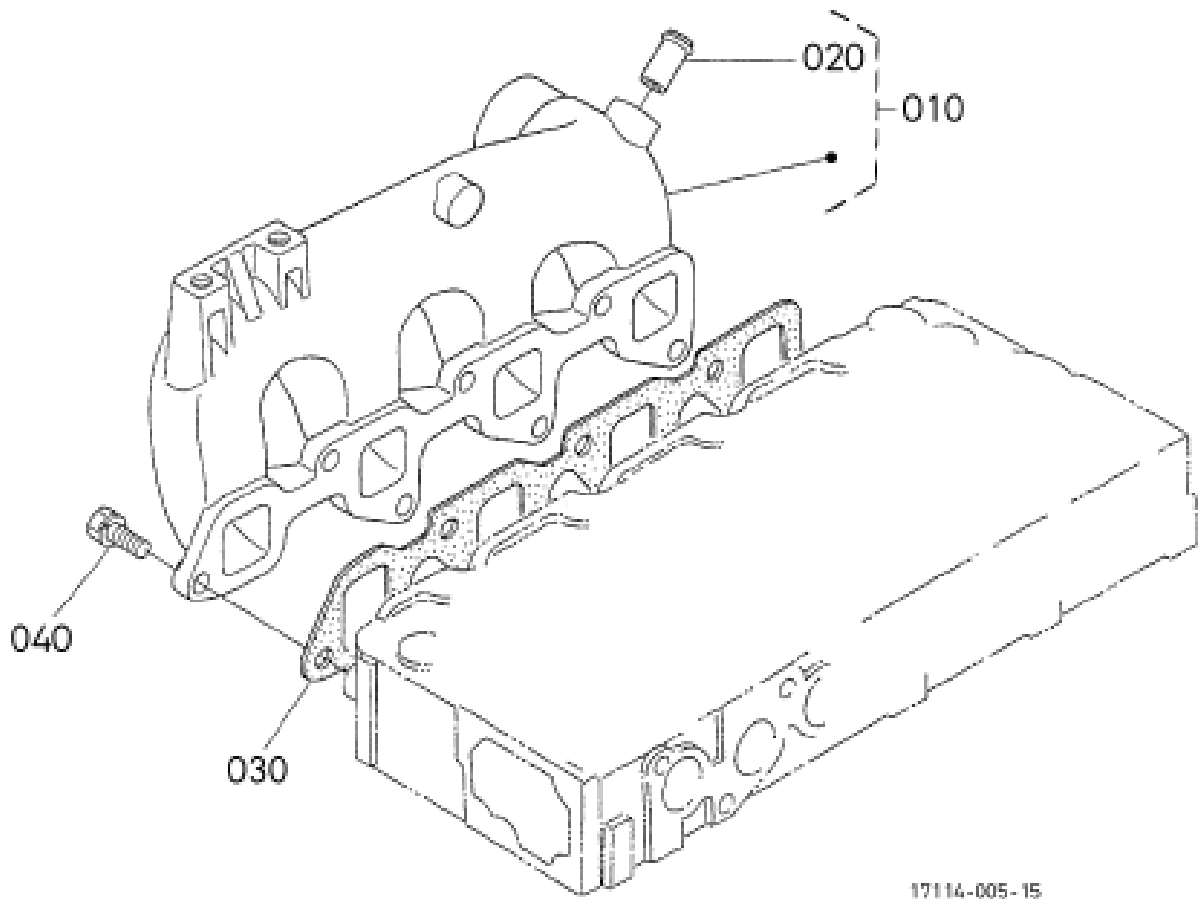


1A201-013-10

PARTS BREAKDOWN

2203 KUBOTA ENGINE VALVE AND ROCKER ARM			
ITEM	PART NO.	REQ'D	DESCRIPTION
010	3338412	4	VALVE-INLET
020	3338413	4	VALVE-EXHAUST
030	3332090	8	SPRING, VALVE- 030
040	3332091	8	RETAINER, VALVE SP- 040
050	3338414	8	COLLET-VALVE SPRING (SET)
060	3338415	8	SEAL-VALVE STEM
070	3332094	8	CAP, VALVE- 070
080	3338416	1	SHAFT-ROCKER ARM
090	3338417	4	BRACKET-ROCKER ARM
100	3332105	3	SPRING, ROCKER ARM- 170
110	3338418	4	BOLT-FLANGE
120	3332103	1	PIN, SPRING- 12660~
130	3332104	2	WASHER, R-ARM. SHAFT- 160
140	3338419	2	WASHER-PLAIN
150	3331598	2	WASHER, SPRING-060
160	3331719	2	BOLT-060
170	3332107	8	ASSY ROCKER ARM- 190
180	3332108	8	SCREW,ADJUSTING- 200
190	3332109	8	NUT- 210

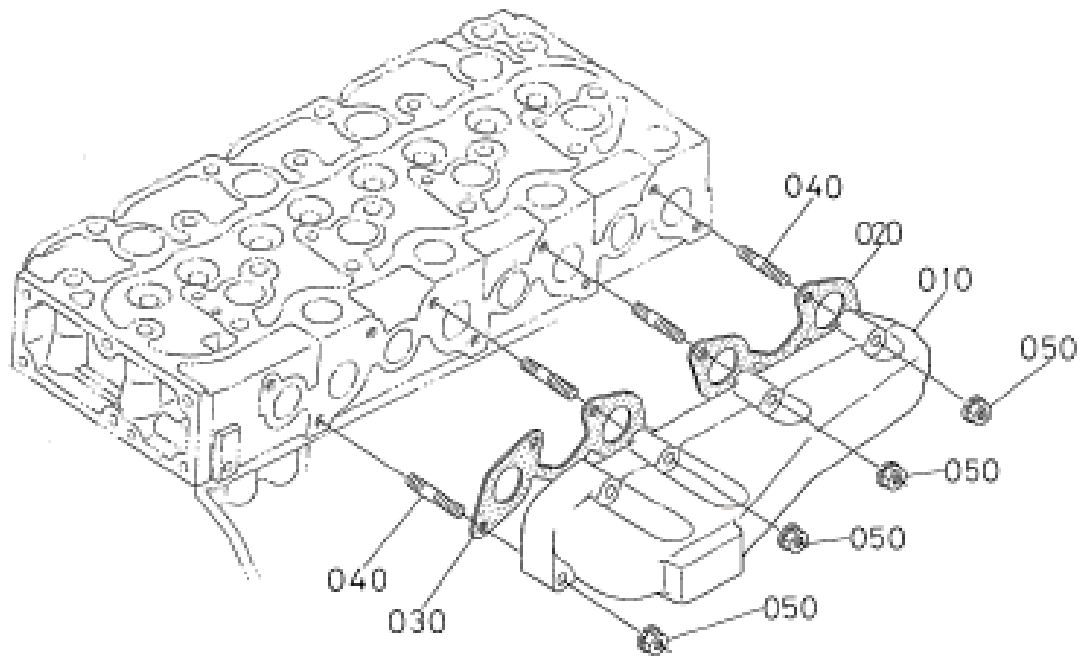
2203 KUBOTA ENGINE INLET MANIFOLD



17114-005-15

2203 KUBOTA ENGINE INLET MANIFOLD			
ITEM	PART NO.	REQ'D	DESCRIPTION
010	3338420	1	COMP. MANIFOLD INLET
020	--XXX--	-	NOT SOLD SEPARATELY
030	3338421	1	GASKET-IN-MANIFOLD
040	3331783	7	BOLT-040

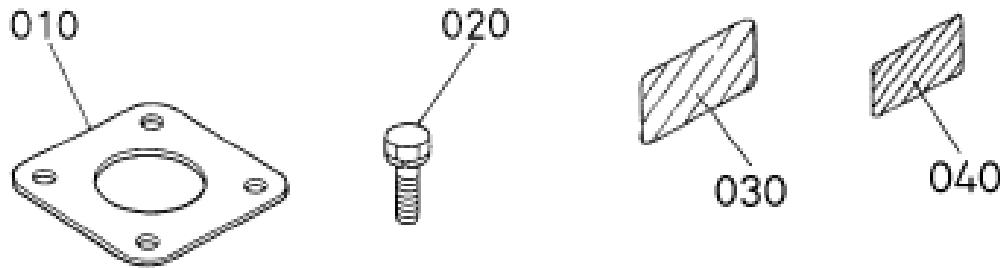
2203 KUBOTA ENGINE EXHAUST MANIFOLD



16454-069-10

2203 KUBOTA ENGINE EXHAUST MANIFOLD			
ITEM	PART NO.	REQ'D	DESCRIPTION
010	3338422	1	MANIFOLD-EXHAUST
020	3338423	1	GASKET-EXHAUST MANIFOLD
030	3338424	1	GASKET-EXHAUST MANIFOLD
040	3338425	8	STUD
050	3338426	8	NUT

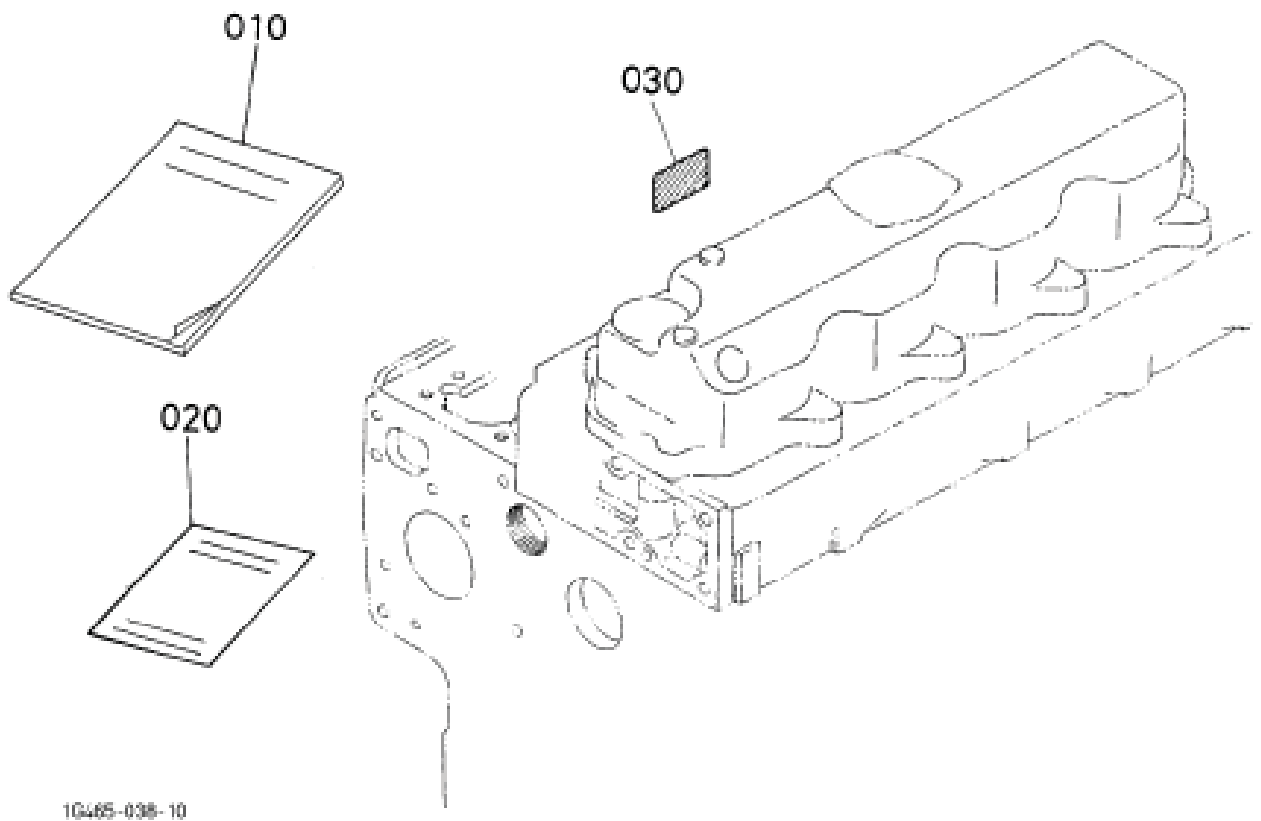
2203 KUBOTA ENGINE ACCESSORIES AND SERVICE PARTS



10465-037-10

2203 KUBOTA ENGINE ACCESSORIES AND SERVICE PARTS			
ITEM	PART NO.	REQ'D	DESCRIPTION
010	3332122	1	GASKET, MUFFLER
020	3331507	4	BOLT-060
030	3332064	1	LABEL INSTRUCTION- 080
040	--XXX--	-	NOT SOLD SEPARATELY

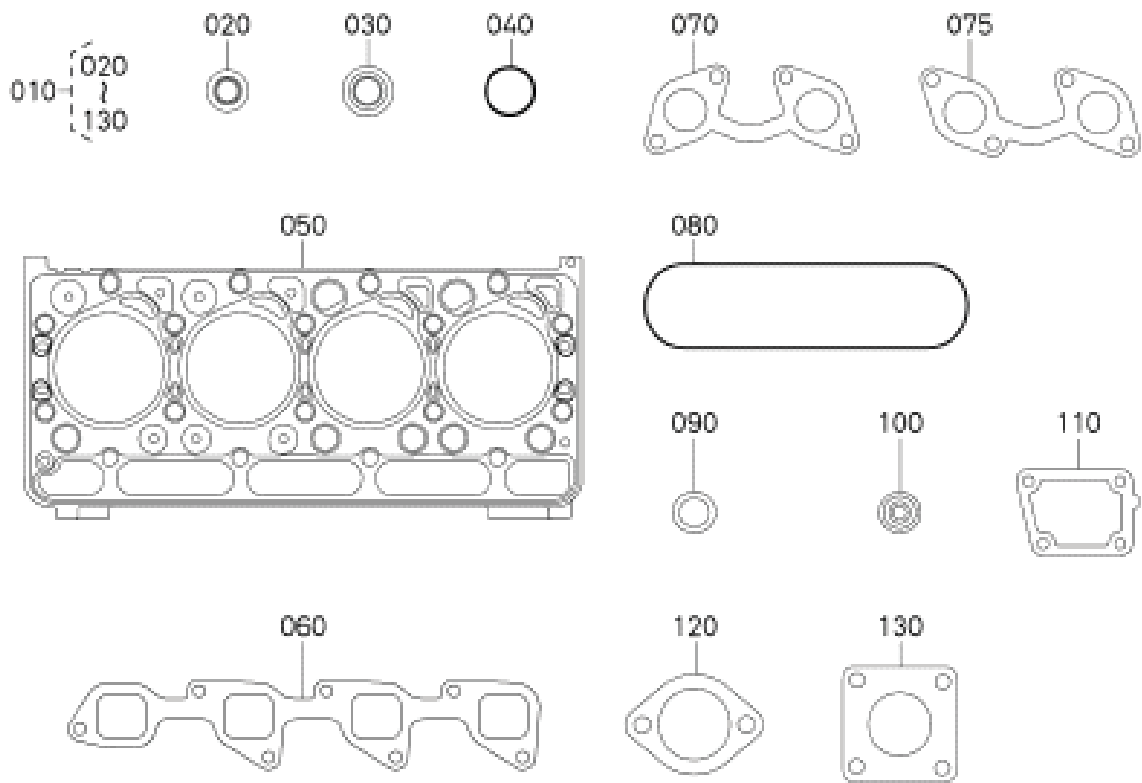
2203 KUBOTA ENGINE LABEL AND OPERATOR'S MANUAL



10465-038-10

2203 KUBOTA ENGINE LABEL AND OPERATOR'S MANUAL			
ITEM	PART NO.	REQ'D	DESCRIPTION
010	3338427	1	OPERATORS MANUAL
020	3338428	1	STATEMENT-WARRANTY
030	--XXX--	-	NOT SOLD SEPARATELY

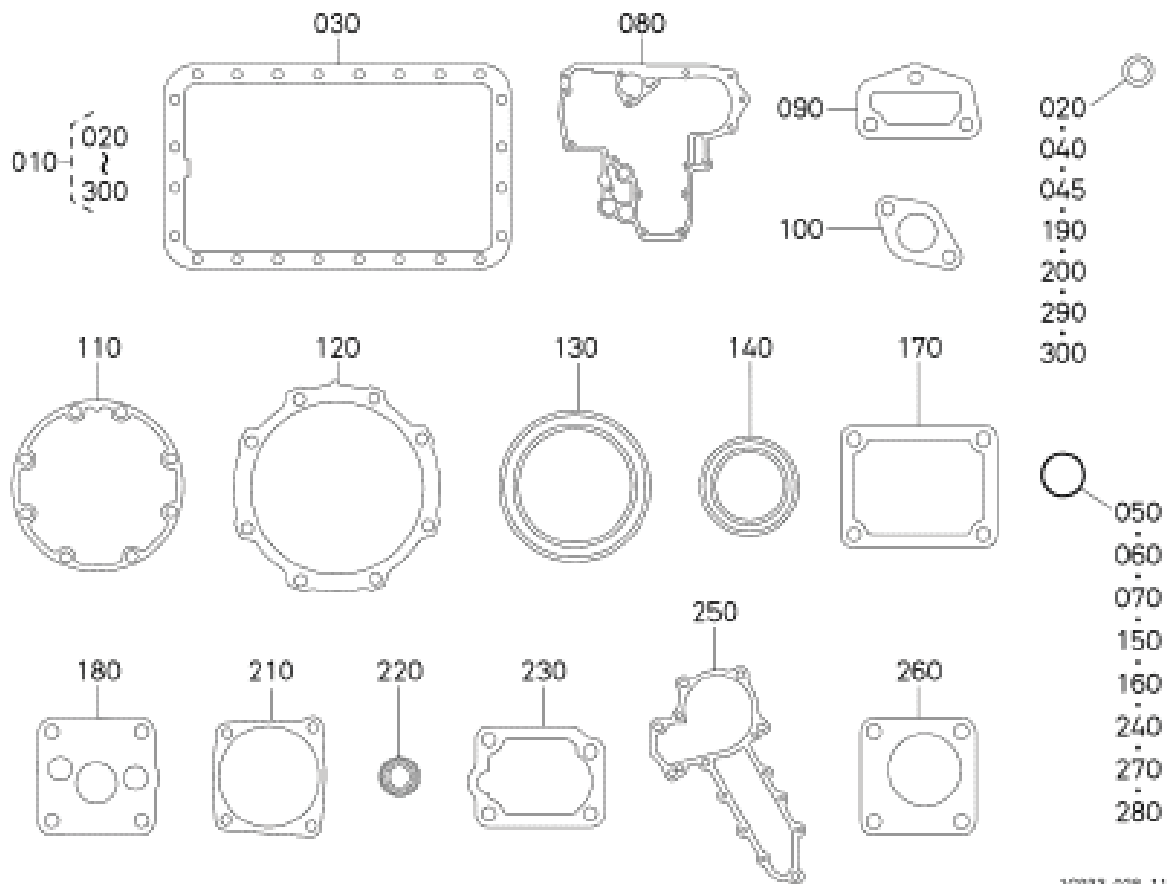
2203 KUBOTA ENGINE UPPER GASKET KIT [OPTION]



1.4/85-004-10

2203 KUBOTA ENGINE UPPER GASKET KIT [OPTION]			
ITEM	PART NO.	REQ'D	DESCRIPTION
010	3338429	1	KIT-GASKET UPPER
020	3332024	1	WASHER,W/RUBB- 020
030	3338415	8	SEAL-VALVE STEM
040	3338345	1	O-RING
050	3334292	1	GASKET-CYL HEAD KBA 2203 EMIS COMP
060	3338421	1	GASKET-IN-MANIFOLD
070	3338424	1	GASKET-EXHAUST MANIFOLD
075	3338423	1	GASKET-EXHAUST MANIFOLD
080	3334289	1	GASKET-CYL HEAD COVER KBA 2203 EMIS COMP
090	3332432	4	KUBOTA GASKET
100	3331853	4	SEAL, HEAT -070
110	3338405	1	GASKET-WATER FLANGE
120	3336918	1	GASKET - THERMOSTAT KUBOTA
130	3332122	1	GASKET, MUFFLER- 010

2203 KUBOTA ENGINE LOWER GASKET KIT [OPTION]

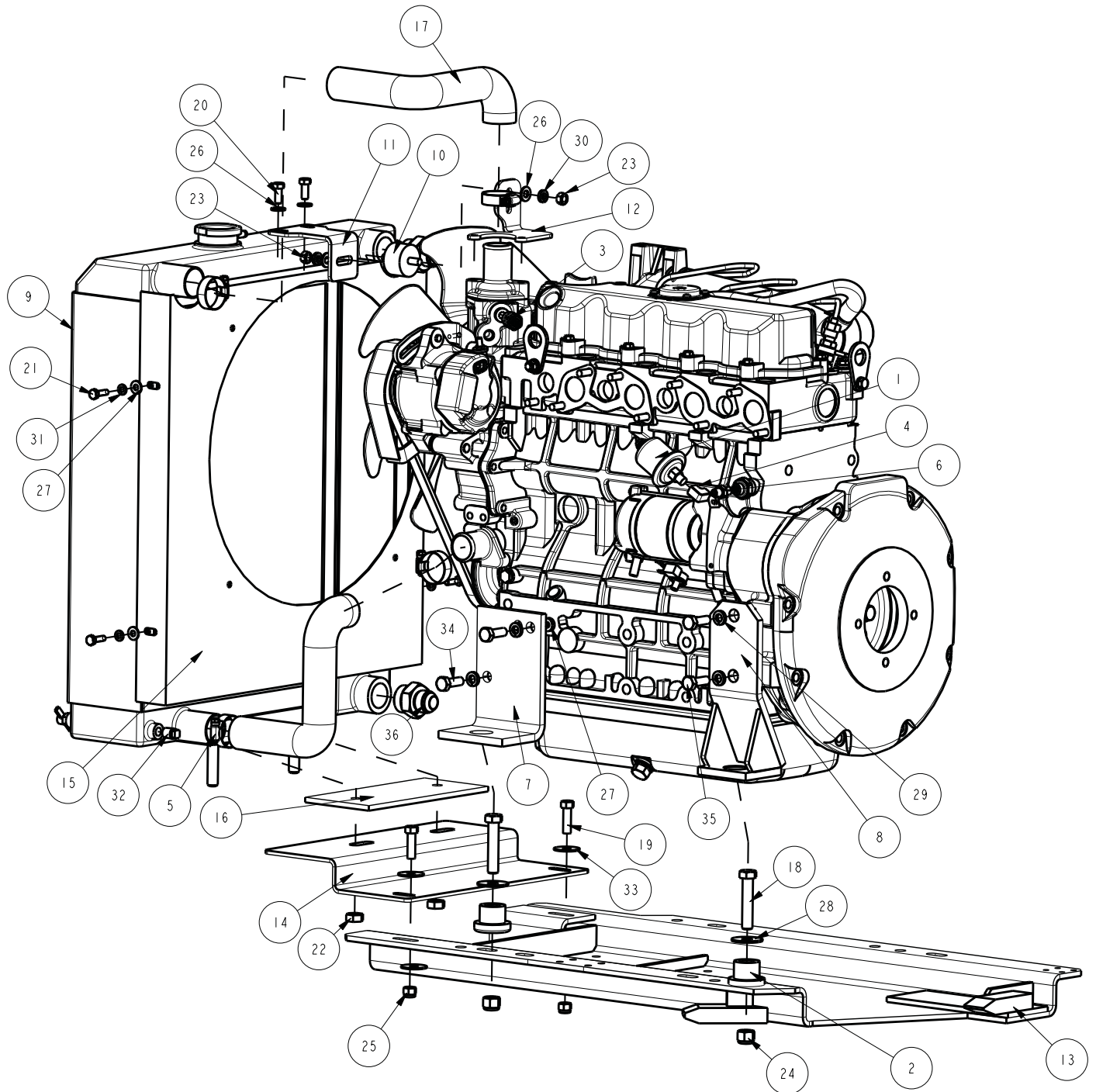


10203-028-11

PARTS BREAKDOWN

2203 KUBOTA ENGINE LOWER GASKET KIT [OPTION]			
ITEM	PART NO.	REQ'D	DESCRIPTION
010	3338430	1	KIT-GASKET LOWER
020	3338405	1	GASKET-WATER FLANGE
030	3338325	1	GASKET-OIL PAN
040	3305252	1	WASHER-KUBOTA OIL DRAIN FTG
045	3333377	2	GASKET
050	3338334	1	O-RING
060	3338335	2	O-RING
070	3338336	1	O-RING
080	3334301	1	GASKET-TIMING GEAR CASE KBA 2203 EMIS
090	3338342	1	GASKET-RETURN FLANGE
100	3338399	1	GASKET-FUEL PUMP
110	3338355	1	GASKET-BEARING CASE
120	3338357	1	GASKET- CASE COVER
130	3338358	1	SEAL-OIL
140	3330290	1	KBA SEAL OIL
150	3331698	1	O RING - 170
160	3338330	1	O-RING
170	3338351	1	GASKET-PUMP COVER
180	3338348	1	GASKET-OIL PUMP
190	3331828	2	GASKET- 030
200	--XXX--	2	NOT SOLD SEPARATELY
210	3338374	1	GASKET
220	3334298	2	SEAL-SPEED CONT PLATE ASSY KBA 2203 EMIS
230	3334297	2	GASKET-SPEED CONT PLT KBA2203 EMIS COMP
240	3338380	1	O-RING
250	3339010	1	GASKET, WATER PUMP
260	3338343	1	GASKET-HOUR METER
270	--XXX--	1	NOT SOLD SEPARATELY
280	--XXX--	1	NOT SOLD SEPARATELY
290	3338376	1	GASKET
300	3331569	1	GASKET-150

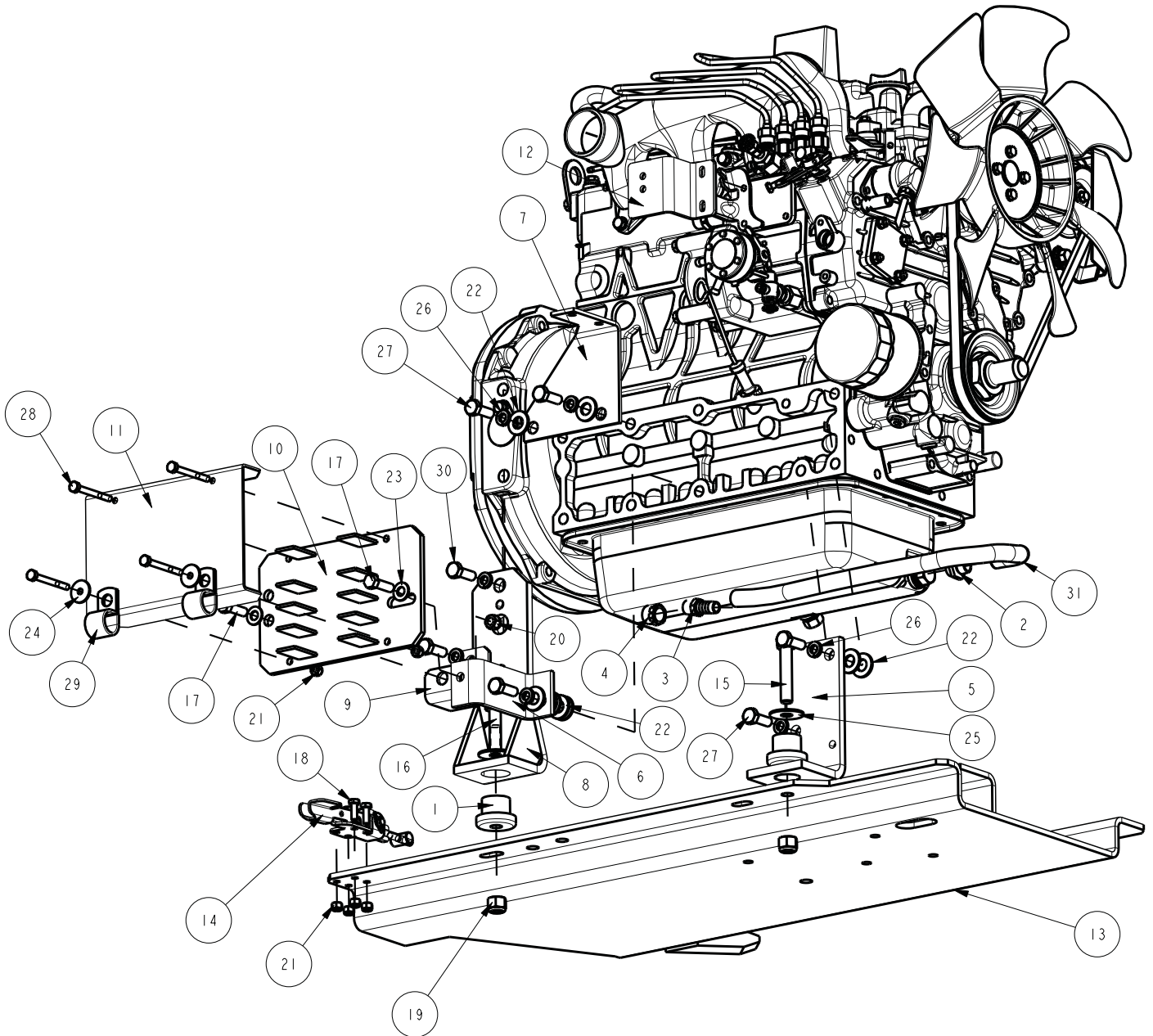
2203 KUBOTA ENGINE - RADIATOR AND SENDERS



PARTS BREAKDOWN

2203 KUBOTA ENGINE - RADIATOR AND SENDERS			
ITEM	PART NO.	REQ'D	DESCRIPTION
1	3300387	1	SENDER-OIL PRESSURE 0-80 PSI
2	3300464	2	ISOLATOR - RUBBER, 1.24 DIAMx1.25 LG
3	3301441	1	SENDER-TEMP A12,A15,& KUBOTA
4	3301720	1	FTG-90 EL 1/8 FPT
5	3303255	4	CLAMP-HOSE 1 3/4 NOM.
6	3305640	1	FTG-NIPPLE 1/8BPT-1/8NPT BRASS
7	3307918	1	MNT-ENG-REAR INNER KBA PNTD
8	3315505	1	MNT-ENGINE KBA INNER
9	3332458	1	RAD/OIL COOLER, 10X, AL
10	3334426	1	ISOLATOR-RAD MOUNT 5/16-18
11	3334427	1	MOUNT - RAD UPPER KBA
12	3334429	1	MOUNT-RAD LOWER KBA 2203
13	3334994	1	WELD-ENGINE PAN, GM 1.6L, ARMA
14	3335591	1	MNT-BTM RAD, V2203 DSL
15	3337999	1	SHROUD-RAD. 10X
16	3341811	1	PAD-RADIATOR MOUNT 5550
17	3350282	2	HOSE-UPPER H25-4 CORE
18	3400019	2	SCR-HEX 1/2-13 X 2.50 ZP
19	3400029	2	SCR-HEX 3/8 -16X1.25 ZP
20	3400036	2	BOLT-HH 5/16-18X3/4
21	3400041	4	SCREW-HHM 1/4-20 X .875 LG ZP
22	3400065	2	NUT-HEX 1/2-13 ZP
23	3400070	2	NUT-HEX 5/16-18 ZP
24	3400078	2	NUT-HEX 1/2-13 ES ZP
25	3400079	2	NUT-HEX 3/8-16 ES ZP
26	3400088	4	WASHER 5/16 ID .688 OD X .065 THK
27	3400089	8	WASHER 1/4 ID .63 OD X .065 THK
28	3400091	4	WASHER-FENDER 1/2 ZP
29	3400098	6	WSR-LOCK 1/2, ZP
30	3400102	2	WSR-LOCK 5/16, ZP
31	3400103	4	WASHER-LOCK 1/4 SPLIT ZP
32	3400256	1	FTG-PIPE PLUG 1/4 MPT
33	3400278	4	WASHER-FENDER 3/8 ZP
34	3400296	2	SCR-HEX M12 X 1.25 X 30 MM, ZP
35	3401663	2	SCR-HEX M14-1.5 X 30 MM ZP

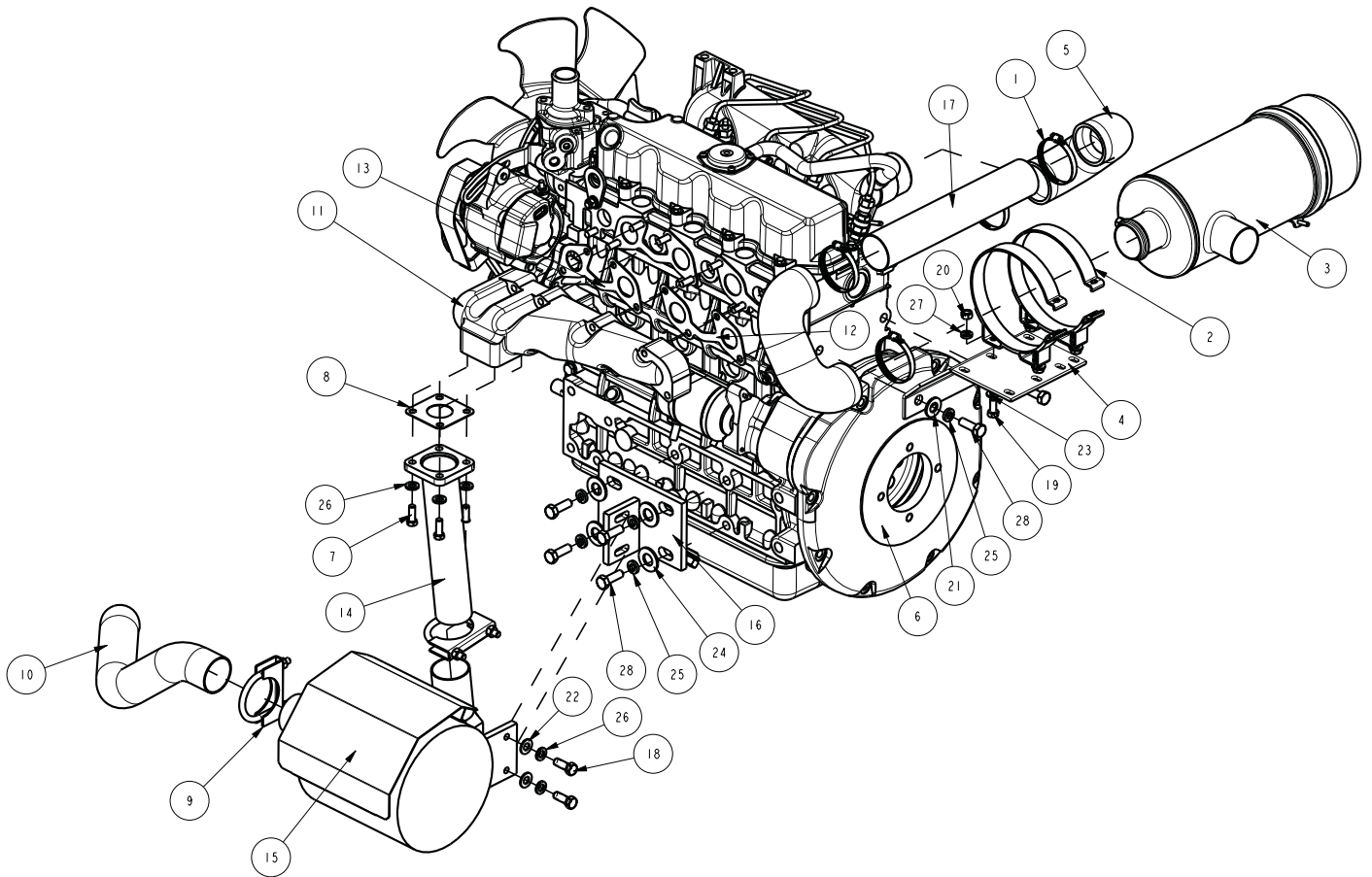
2203 KUBOTA ENGINE - MOUNTS AND HOSE RETAINER



PARTS BREAKDOWN

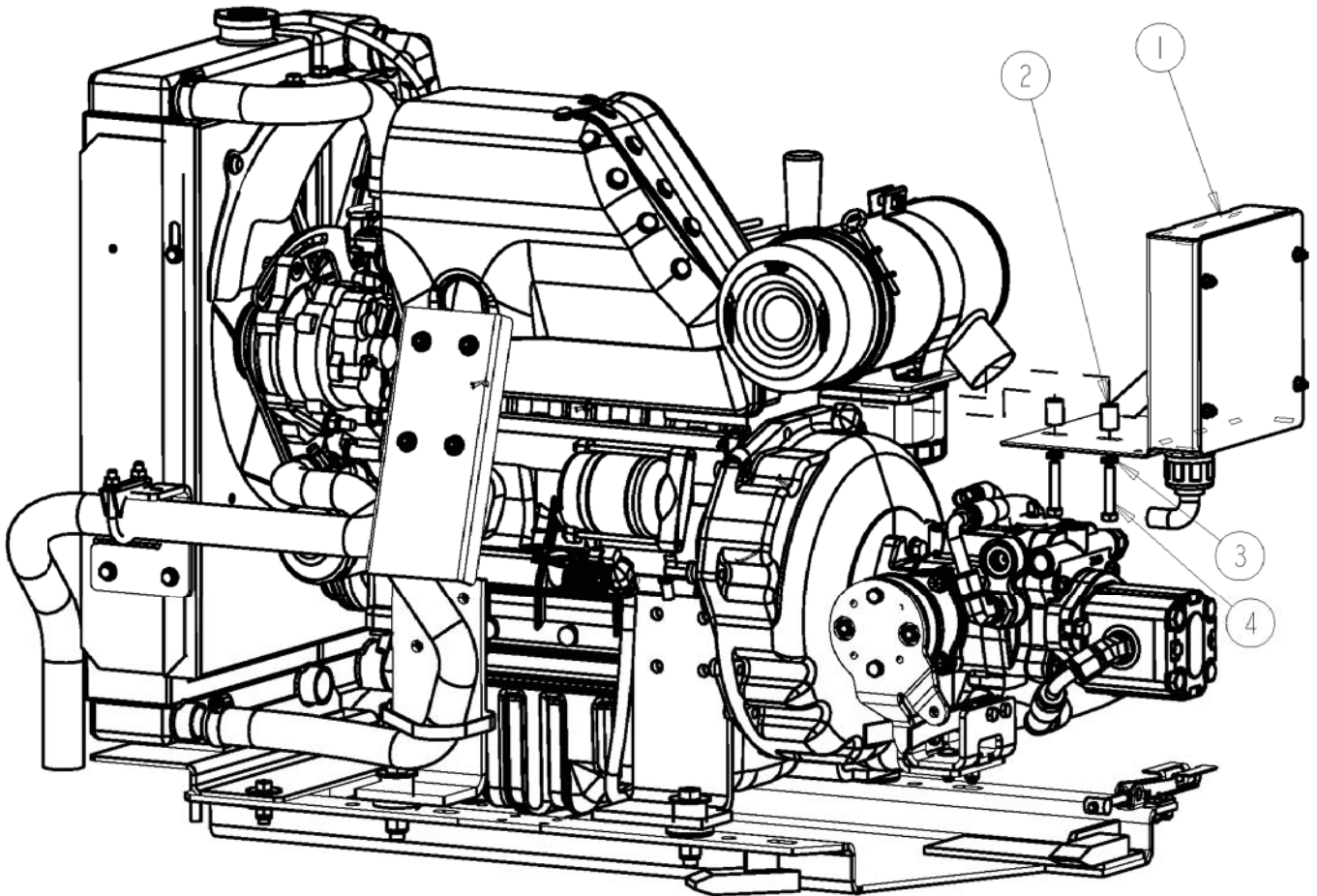
2203 KUBOTA ENGINE - MOUNTS AND HOSE RETAINER			
ITEM	PART NO.	REQ'D	DESCRIPTION
1	3300464	2	ISOLATOR - RUBBER, 1.24 DIAMx1.25 LG
2	3305251	1	FTG-OIL PAN DRAIN KUBOTA
3	3307829	1	FTG-HOSE BARB 1/2 X 3/8 MPT
4	3307830	1	FTG-CAP 3/8 FPT
5	3307919	1	MNT-ENG-REAR OUTER KBA PNTD
6	3307935	1	BRKT-HOSE RETAIN KBA DSL PNTD
7	3307955	1	MNT-FUEL FILTER KBA DSL PNTD
8	3315501	1	MNT-ENGINE KBA OUTER
9	3315508	1	MNT-HOSE RETAINER BRKT
10	3333302	1	WELD - HOSE RETAINER SW/A
11	3333303	1	COVER - HOSE RETAINER SHORT
12	3334083	1	BRKT-THROTTLE CABLE KBA 2203
13	3334994	1	WELD-ENGINE PAN, GM 1.6L, ARMA
14	3337544	1	LATCH - ENGINE SWING
15	3400019	1	SCR-HEX 1/2-13 X 2.50 ZP
16	3400020	1	SCR-HEX,1/2-13 X 2.00 ZP
17	3400029	2	SCR-HEX 3/8 -16X1.25 ZP
18	3400042	4	SCR-HEX 1/4-20X.75 ZP
19	3400078	2	NUT-HEX 1/2-13 ES ZP
20	3400079	2	NUT-HEX 3/8-16 ES ZP
21	3400081	8	NUT-HEX 1/4-20 ES ZP
22	3400086	11	WASHER-FLAT 1/2 STANDARD ZP
23	3400087	2	WASHER 3/8 ID .81 OD X .065 THK
24	3400090	2	WASHER 1/4 ID 1.0 OD X .074 THK
25	3400091	2	WASHER-FENDER 1/2 ZP
26	3400098	7	WSR-LOCK 1/2, ZP
27	3400296	5	SCR-HEX M12 X 1.25 X 30 MM, ZP
28	3400433	4	SCR-HEX,1/4-20X2.50 ZP
29	3400999	2	CLAMP- P TYPE 1 DIA, ZP VINYL COATED
30	3401663	2	SCR-HEX M14-1.5 X 30 MM ZP
31	3500135	1	HOSE-1/2 ID EEC-PCV

2203 KUBOTA ENGINE - AIR AND EXHAUST



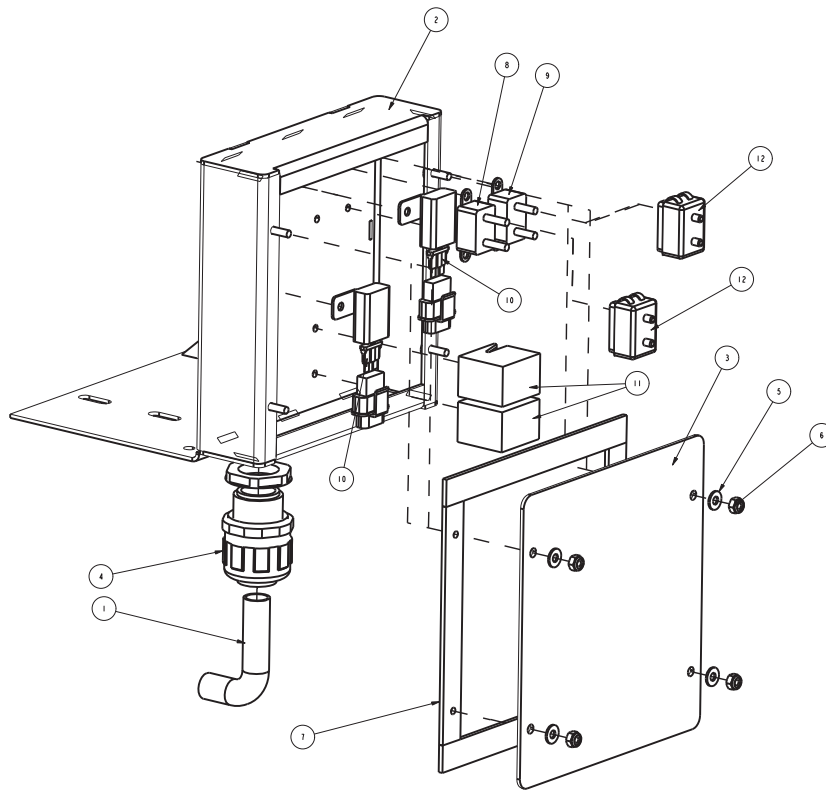
2203 KUBOTA ENGINE - AIR AND EXHAUST			
ITEM	PART NO.	REQ'D	DESCRIPTION
1	3044112	4	CLAMP - HOSE, DIA. 2.5" SS
2	3300459	2	BAND-MTG AIR CLEANER PNTD BLK
3	3303031	1	AIR CLNR - HEAVY DUTY
-	3302842	1	ELEMENT-AIR CLNR/METAL (NOT SHOWN)
-	3302597	1	ELEMENT-AIR CLNR/METAL SAFETY (NOT SHOWN)
4	3315500	1	MNT-AIR CLEANER HAYES
5	3315676	2	HOSE-AIR INTAKE MANIF. ARMA
6	3321178	1	ENGINE PAN, GM 1.6L
7	3331507	4	BOLT-060
8	3332122	1	GASKET, MUFFLER
9	3335989	2	CLAMP-EXHAUST UNIVERSAL 2-1/8" DIA (SP)
10	3338212	1	TAILPIPE - 10X 2" DIA
11	3338422	1	MANIFOLD,EXHAUST
12	3338423	1	GASKET,EX-MANIFOLD
13	3338424	1	GASKET,EX-MANIFOLD
14	3338431	1	WDT-EXHAUST PIPE
15	3338432	1	MUFFLER
16	3338433	1	MUFFLER BRKT
17	3350248	1	TUBE-AIR INTAKE 10X
18	3400030	2	SCREW-HHM 3/8-16 X 1.0 LG ZP
19	3400036	4	BOLT-HH 5/16-18X3/4
20	3400070	4	NUT-HEX 5/16-18 ZP
21	3400086	2	WASHER-FLAT 1/2 STANDARD ZP
22	3400087	2	WASHER 3/8 ID .81 OD X .065 THK
23	3400088	4	WASHER 5/16 ID .688 OD X .065 THK
24	3400094	4	WASHER-FLAT 5/8 ZP
25	3400098	6	WSR-LOCK 1/2, ZP
26	3400101	6	WASHER-LOCK 3/8 SPLIT ZP
27	3400102	4	WSR-LOCK 5/16, ZP
28	3400296	6	SCR-HEX M12 X 1.25 X 30 MM, ZP

2203 KUBOTA ENGINE - FUSE PANEL



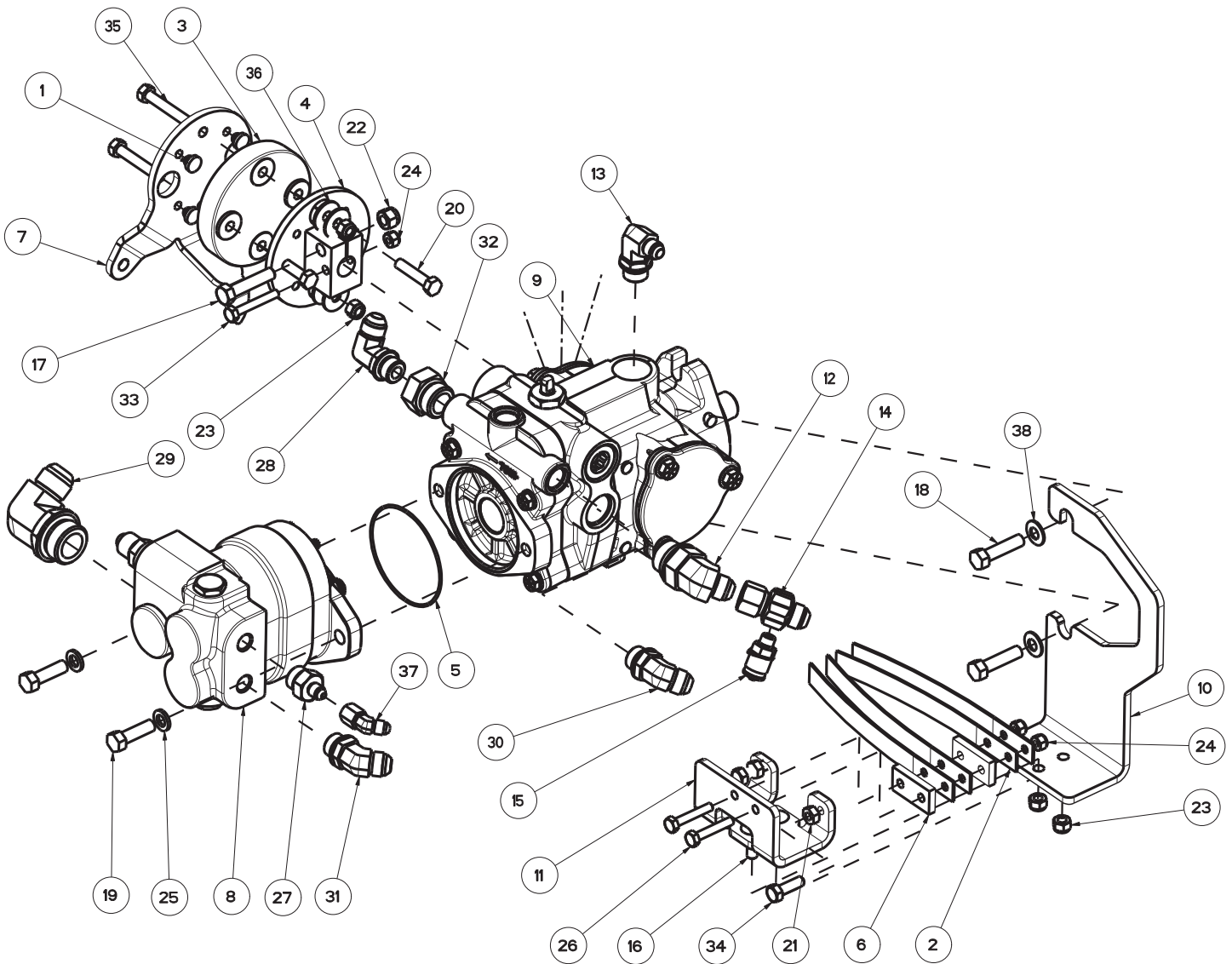
2203 KUBOTA ENGINE - FUSE PANEL			
ITEM	PART NO.	REQ'D	DESCRIPTION
1	3336080	1	ASSY-FUSE BOX COMPLETE
2	3342109	2	SPACER
3	3400102	2	WASHER
4	3401513	2	BOLT

2203 KUBOTA ENGINE - FUSE BOX DETAIL



2203 KUBOTA ENGINE - FUSE BOX DETAIL			
ITEM	PART NO.	REQ'D	DESCRIPTION
1	3335664	1	KIT-PANEL W/WIRING HARNESS (Includes Items 8-11)
2	3336073	1	WELD-FUSE BOX
3	3336077	1	PLT-COVER FUSE BOX
4	3336079	1	FTG-CONDUIT 1" FLEX CONNECTOR
5	3400095	4	WASHER-FLAT #10 ZP
6	3400172	4	NUT-HEX JAM #10-32 ES ZP
7	3500246	2.375'	GASKET-OPEN CELL, 1/8x3/4
8	3334051	1	BREAKER-40 AMP DIESEL
9	3334052	1	BREAKER-30 AMP DIESEL
10	3335329	2	FUSE - 10 AMP
11	3344053	2	RELAY-SPDT DIESEL
12	3342910	2	BOOT-INSULATOR-RED FOR CIRCUIT BREAKER

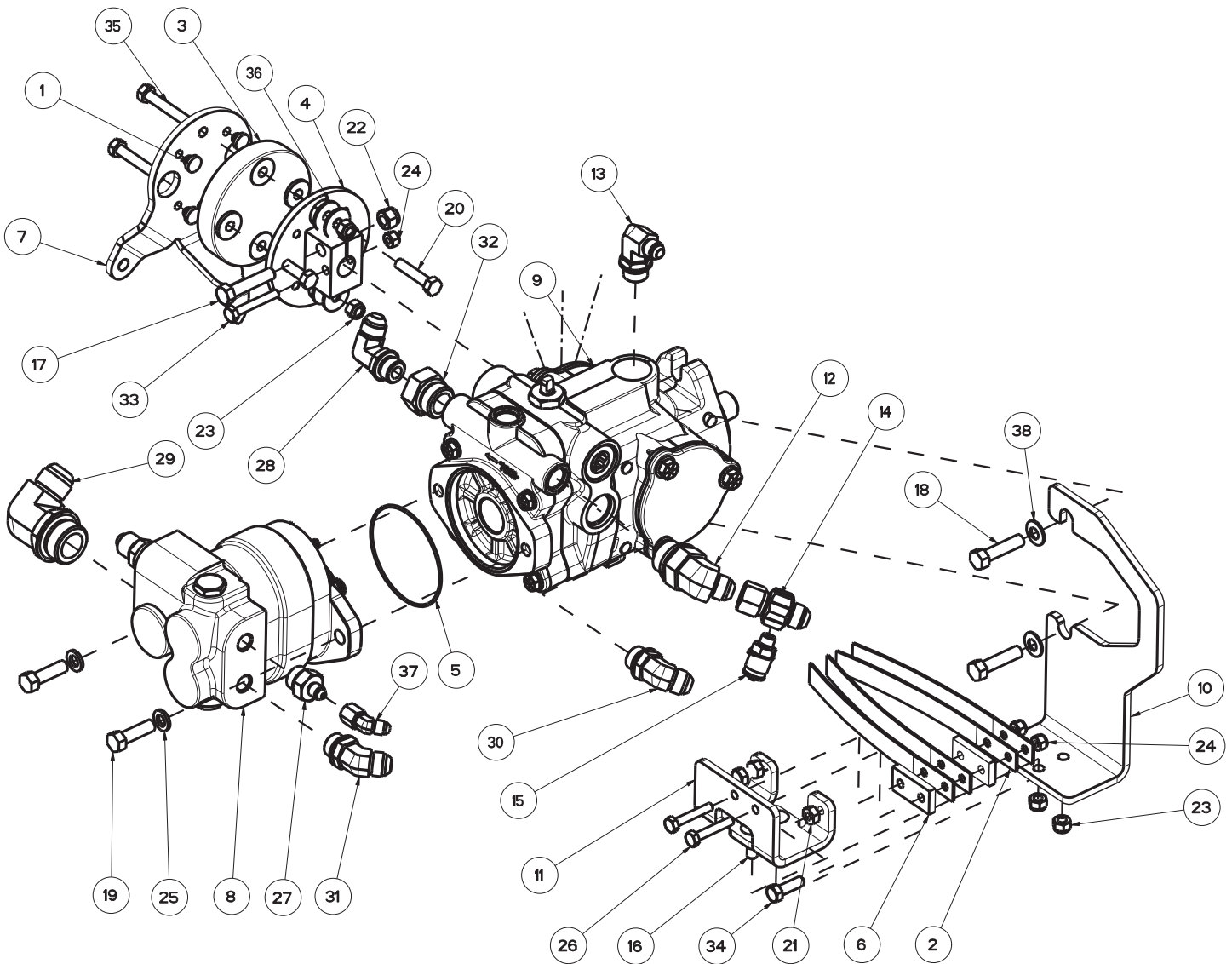
2203 KUBOTA ENGINE - HYDRAULIC PUMP DETAIL



PARTS BREAKDOWN

2203 KUBOTA ENGINE - HYDRAULIC PUMP DETAIL			
ITEM	PART NO.	REQ'D	DESCRIPTION
1	3300526	8	BUMPER-RUBBER 1/4 ID X 1/8 THK
2	3300543	4	SPRING-FWD/REV RETURN
3	3301507	1	COUPLING-RUBBER, DIR CONTROL
4	3301544	1	WELD-DISC FWD/REV
5	3303711	1	O RING-STATIC SEAL 3.239 ID
6	3303918	2	SPACER-FWD/REV BRACKET
7	3307219	1	PLT-DIRECTIONAL CONT PLTD
8	3321397	1	PUMP-HYDRAULIC AUX W/FLOW DIVIDER
-	3321399	1	KIT-SEAL AUX PUMP
9	3335072	1	PUMP-PISTON, VARIABLE, 1.44 CI
-	3344553	1	SEAL REPAIR KIT FOR MAIN PUMP
10	3335200	1	PLT - FWD/REV SPRING MNT V1505
11	3335301	1	BRACKET - FWD/REV . 9X
12	3335709	1	FTG-45° 1-1/16-12 X 1/2", STR#12-JIC37°#8
13	3341130	1	FTG-90 3/4-16 TO #6
14	3342204	1	FTG-GAUGE PORT
15	3342205	1	COUPLING-TEST 4 MALE 0-ROMG (7/16-20)
16	3400009	2	SCR-CAR,5/16-18X1.00
17	3400027	1	SCR-HEX,3/8-16X1.75
18	3400028	2	SCR-HEX,3/8-16x1.50
19	3400029	2	SCR-HEX, 3/8-16x1.25
20	3400033	2	SCR-HEX,5/16-18X1.50
21	3400069	2	NUT-HEX 5/16-24
22	3400079	1	NUT-HEX 3/8-16 ES
23	3400080	6	NUT-HEX 5/16-18 ES
24	3400081	3	NUT-HEX 1/4-20 ES
25	3400101	2	WASHER-LOCK 3/8 SPLIT
26	3400149	2	SCR-HEX,1/4-20x1.50
27	3400150	1	FTG-STR 3/4-16 TO #4
28	3400154	1	FTG-90 3/4-16 TO #8
29	3400156	1	FTG-90 1 5/16-12 TO #16
30	3400157	1	FTG-45° 3/4-16 TO #8

2203 KUBOTA ENGINE - HYDRAULIC PUMP DETAIL (CONTUIED)



PARTS BREAKDOWN**2203 KUBOTA ENGINE - HYDRAULIC PUMP DETAIL (CONTUIED)**

ITEM	PART NO.	REQ'D	DESCRIPTION
31	3400158	1	FTG-45° 7/8-14 TO #8
32	3400167	1	FTG-ADAPTER 1 1/6-12 EXT
33	3400173	1	SCR-HEX,1/4-20X1.75
34	3400221	2	SCR-HEX,5/16-24X1.00
35	3400231	2	SCR-HEX,5/16-18X2.0
36	3400233	4	WASHER-FENDER 5/16 1.00 OD
37	3400248	1	FTG-SWIVEL 45 ELL #4JIC 1/4
38	3400385	2	WASHER-CONICAL SPRING 3/8

THIS PAGE INTENTIONALLY LEFT BLANK

WARRANTY



Revision K
Effective December 2015
PowerBoss Made Simple Industrial Limited Warranty

Minuteman International owner of PowerBoss warrants to the original purchaser/user that the product is free from defects in workmanship and materials under normal use. PowerBoss will, at its option, repair or replace without charge, parts that fail under normal use and service when operated and maintained in accordance with the applicable operation and instruction manuals. All warranty claims must be submitted through and approved by factory authorized repair stations.

This warranty does not apply to normal wear, or to items whose life is dependent on their use and care. Parts not manufactured by PowerBoss are covered by and subject to the warranties and/or guarantees of their manufacturers. Please contact Minuteman International for procedures in warranty claims against these manufacturers.

Special warning to purchaser -- Use of replacement parts not manufactured by PowerBoss or its designated licensees, will void all warranties expressed or implied. A potential health hazard exists without original equipment replacement.

All warranted items become the sole property of Minuteman International or PowerBoss or its original manufacturer, whichever the case may be.

PowerBoss disclaims any implied warranty, including the warranty of merchantability and the warranty of fitness for a particular purpose. PowerBoss assumes no responsibility for any special, incidental or consequential damages.

This limited warranty is applicable only in the U.S.A. and Canada, and is extended only to the original user/purchaser of this product. Customers outside the U.S.A. and Canada should contact their local distributor for export warranty policies. PowerBoss is not responsible for costs or repairs performed by persons other than those specifically authorized by PowerBoss. This warranty does not apply to damage from transportation, alterations by unauthorized persons, misuse or abuse of the equipment, use of non-compatible chemicals, or damage to property, or loss of income due to malfunctions of the product. If a difficulty develops with this machine, you should contact the dealer from whom it was purchased.

This warranty gives you specific legal rights, and you may have other rights, which vary from state to state. Some states do not allow the exclusion or limitation of special, incidental or consequential damages, or limitations on how long an implied warranty lasts, so the above exclusions and limitations may not apply to you.

	Travel *	Labor	Parts	Engine	Extended Warranty	Costs
Walk Behind						****
Battery Sweepers	90 Days	36 months	36 months	N/A	N/A	-
IC Sweepers	90 Days	36 months	36 months	Through Eng. Mfg.	N/A	-
Battery Scrubbers	90 Days	24 months	36 months	N/A	N/A	-
Riders						
Battery Scrubbers	90 Days	24 months	36 months or 2000 hr.	N/A	36 months parts + 24 labor (or 3000 Hours)	5%
IC Sweeper/Scrubbers 82 & 90	90 Days	6 months	24 months or 2000 hr.	24 months or 3000 hrs**	36 months parts + 24 months labor (or 3000 Hours) + 180 days travel	5%
I.C. Sweepers 9X, 10X	90 days	6 months	48 months or 3000 hrs.	60 months or 3000 hrs**	48 months parts + 24 months labor (or 3000 Hours) + 180 days travel	5%
NAUTILUS Scrubber	180 Days	24 months	36 months or 2000 hr.	36 months or 2000 hrs**	48 months parts + 24 months labor (or 3000 Hours) + 180 days travel	3%
All Rider, I.C. (excluding APEX series)					Bumper to Bumper 5000 hr max. 48 months parts, 48 months labor, 180 days travel	8%
Exceptions						
Apex Series Sweeper	90 Days	12 months	12 months or 1000 hr.	12 months or 1000 hrs**	24 months parts + 24 months labor (or 2000 Hours)	5%
6X Sweeper	90 Days	6 months	24 months or 2000 hr.	24 months or 2000 hours**	36 months parts + 24 months labor (or 3000 Hours) + 180 day travel	5%

Tank Bladders Eight years/ no additional labor Ten years/ no additional labor
Polyethylene plastic tanks additional labor
Batteries 0-3 months full replacement, 4-12 prorated credit
Chargers One-year replacement
Aftermarket Replacement parts Ninety days from date of purchase
***Two-Hour Cap Per Service Call**

****Through Engine Manufacturer. See Section 3 of Warranty Manual for Engine Warranty**

Exceptions * Based Upon Dealer's Certification Status:**
Extended Warranty MUST Be Signed Up Within 30 Days of Delivery to End User
(Dealer Has 1Year From Receiving Machine To Sign Up For Extended Warranty)

***All above labor and travel reimbursed at 65% or 75% of the published shop rate.



“The Power of Clean”

**PowerBoss Is A Full Line Manufacturer Of Sweepers and Scrubbers For
Industrial Facilities.**

PowerBoss, Inc 14N845 U.S. Route 20 Pingree Grove, Illinois 60140
Phone: 800-323-9420 www.PowerBoss.com Email: tech@powerboss.com

A Member Of The Hako Group